
Fuji IGBT Module V series

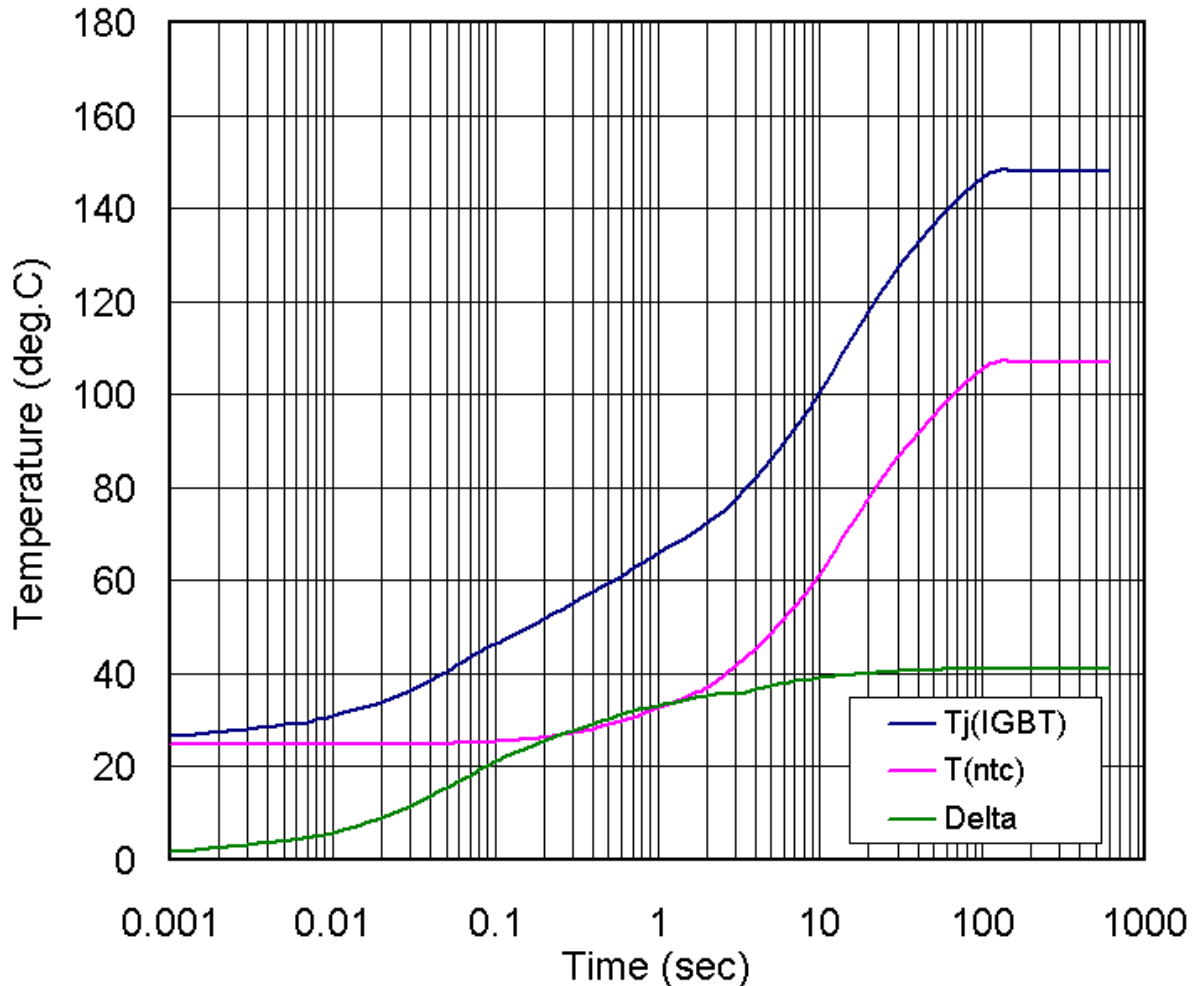
Technical notes

1	ΔT_j power cycle test method and lifetime curve (technical reference material)	MT5Z02525c
2	Junction temperature T_j and time response of thermistor temperature T_{ntc}	MT5F19496
3	Calculation of power cycle life when there are multiple different temperature rise peaks	MT5F20514

- Fuji IGBT Module -

Junction temperature T_j and time response of thermistor temperature T_{ntc}

Typename: 2MBI300VJ-120-50



Transient thermal behavior of NTC thermistor and IGBT Junction Temperature

In many of Fuji IGBT module, an integrated NTC thermistor is provided mainly to report value to detect rough IGBT case temperature in thermally equilibrium operation, such as steady-state.

The above figure shows an example of the IGBT junction temperature and the time response of the thermistor temperature in 2MBI300VJ-120-50. However, the time response changes depending on the usage environment (thermal design, driving conditions of IGBT module, etc.).

As shown, there is a difference in starting time of temperature rise between the IGBT chip and the thermistor time response. In the time domain 100msec or less, only the chip temperature rises while the thermistor keeps stable. Therefore, as shown by the fact that the temperature difference becomes big between the IGBT chip temperature and the thermistor temperature, it is hard to know the junction temperature from the thermistor response in such a short period.

In addition, , in a short-circuit mode, in which high current flows while voltage is applied, the guaranteed time is about 10micro seconds (the guaranteed short-circuit time differs depending on product generation, voltage classes and operating conditions), and so the thermistor temperature does not rise in this short-circuit period. Namely, the temperature detection by thermistor cannot be used for short-circuit protection. Therefore, other protection functions such as over current detection with current sensors and/or monitoring the saturation voltage of IGBT Vce (sat).

Technical data: MT5F19496

– Fuji IGBT Module –

Calculation of power cycle life when there are multiple different temperature rise peaks

The power cycle life of the IGBT module depends on the temperature swing (and maximum temperature) during power cycle. Therefore, when there is only one temperature swing of the IGBT module in one particular operation cycle of the inverters/converters, the number of times calculated from the power cycle life curve is the life cycle of the IGBT module.

However, when there are multiple temperature rise peaks in one operation cycle of the inverter, the life cycle becomes shorter because the module is influenced by the multiple temperature rises. The calculation method of power cycle life when there are multiple different temperature rise peaks is shown below.

When there are n times of temperature rises for one operation cycle of inverter, the combined power cycle life can be expressed in the following formula, where $PC(k)$ is the power cycle life for the k -th ($k=1, 2, 3, \dots, n$) temperature rise.

$$PC = 1 / \left(\sum_{k=1}^n \frac{1}{PC(k)} \right)$$

For example, when $n=4$ and the power cycle numbers for the respective power rise peaks are 3.8×10^6 , 1.2×10^6 , 7.6×10^5 and 4.6×10^5 , calculation is made as follows:

$$PC = 1 / \left(\frac{1}{3.8 \times 10^6} + \frac{1}{1.2 \times 10^6} + \frac{1}{7.6 \times 10^5} + \frac{1}{4.6 \times 10^5} \right) = 2.2 \times 10^5$$

Therefore, the power cycle lifetime can be obtained from the product of the power cycle life calculated in this way and one cycle (time) of operation mode.

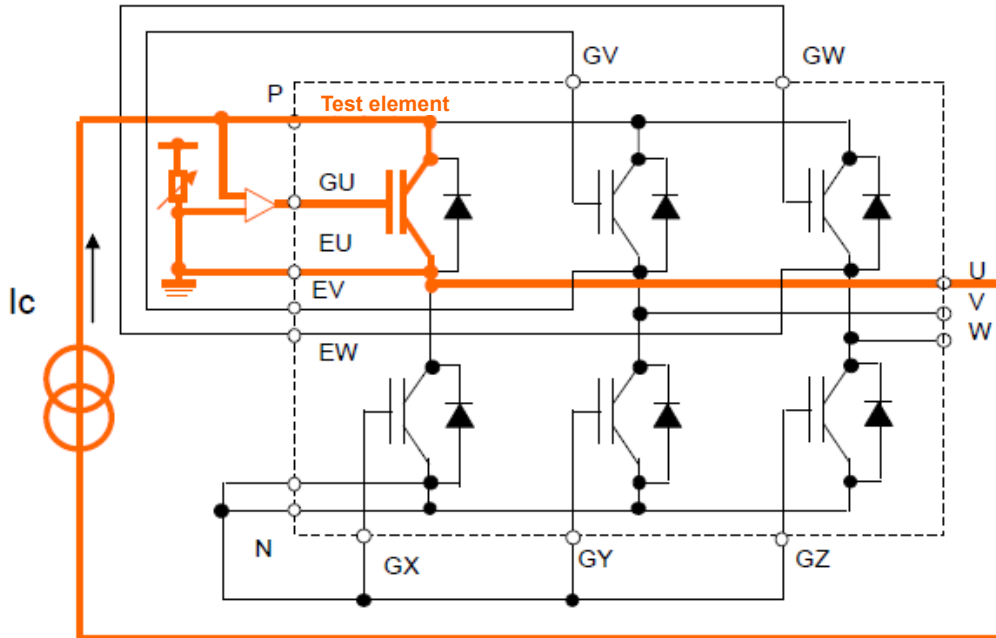
For example, when one cycle of the above operation mode is 1800sec (30min), the lifetime is calculated as follows:

$$2.2 \times 10^5 \times 1800 / (60 \times 60 \times 24 \times 365) = 12.55 \approx 12 \text{ years and 6 months.}$$

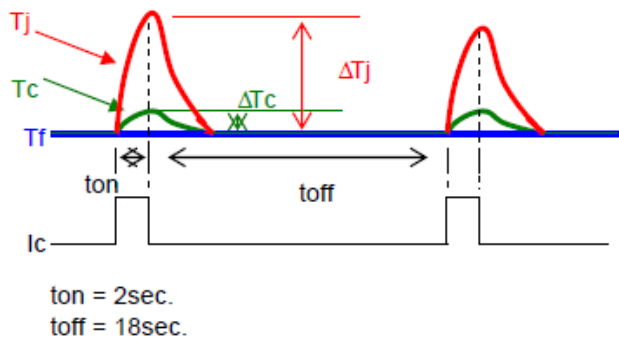
Technical data: MT5F20514

- Fuji IGBT Module U and V Series -

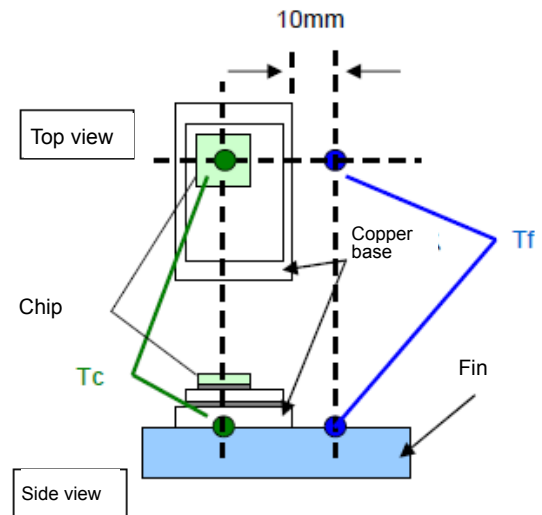
ΔT_j power cycle test method and lifetime curve (technical reference material)



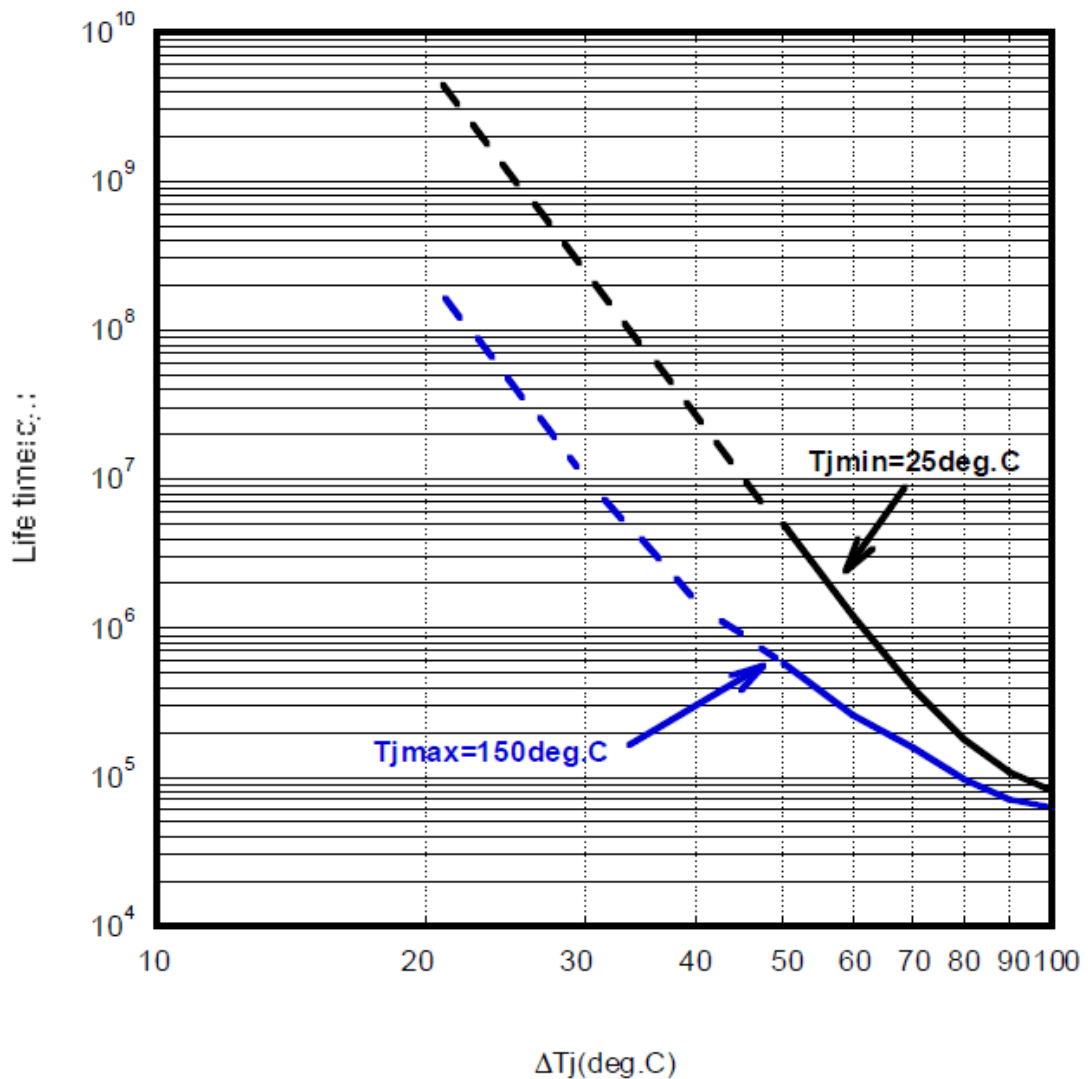
Test equivalent circuit



Current flow pattern of ΔT_j power cycle and temperature change



Tc and Tf measurement positions



ΔT_j Power cycling life time curve

- *1) The judgment criterion for failure is the point when the test element becomes open or short.
- *2) The radiation fin and module are mounted according to our test standards.
- *3) The capacity data in the lifetime curve is the one when the failure rate is 1% in the Weibull analysis.
- *4) The capacity data in the lifetime curve shows the result of multiple models.
- *5) The dotted lines show the estimated lifetime, not the guaranteed value.
- *6) The IGBT (FWD) chips connected in parallel are not included.

WARNING

1. This Catalog contains the product specifications, characteristics, data, materials, and structures as of May 2011.
The contents are subject to change without notice for specification changes or other reasons. When using a product listed in this Catalog, be sure to obtain the latest specifications.
2. All applications described in this Catalog exemplify the use of Fuji's products for your reference only. No right or license, either express or implied, under any patent, copyright, trade secret or other intellectual property right owned by Fuji Electric Co., Ltd. is (or shall be deemed) granted. Fuji Electric Co., Ltd. makes no representation or warranty, whether express or implied, relating to the infringement or alleged infringement of other's intellectual property rights which may arise from the use of the applications described herein.
3. Although Fuji Electric Co., Ltd. is enhancing product quality and reliability, a small percentage of semiconductor products may become faulty. When using Fuji Electric semiconductor products in your equipment, you are requested to take adequate safety measures to prevent the equipment from causing a physical injury, fire, or other problem if any of the products become faulty. It is recommended to make your design failsafe, flame retardant, and free of malfunction.
4. The products introduced in this Catalog are intended for use in the following electronic and electrical equipment which has normal reliability requirements.
 - Computers
 - OA equipment
 - Communications equipment (terminal devices)
 - Measurement equipment
 - Machine tools
 - Audiovisual equipment
 - Electrical home appliances
 - Personal equipment
 - Industrial robots etc.
5. If you need to use a product in this Catalog for equipment requiring higher reliability than normal, such as for the equipment listed below, it is imperative to contact Fuji Electric Co., Ltd. to obtain prior approval. When using these products for such equipment, take adequate measures such as a backup system to prevent the equipment from malfunctioning even if a Fuji's product incorporated in the equipment becomes faulty.
 - Transportation equipment (mounted on cars and ships)
 - Trunk communications equipment
 - Traffic-signal control equipment
 - Gas leakage detectors with an auto-shut-off feature
 - Emergency equipment for responding to disasters and anti-burglary devices
 - Safety devices
 - Medical equipment
6. Do not use products in this Catalog for the equipment requiring strict reliability such as the following and equivalents to strategic equipment (without limitation).
 - Space equipment
 - Aeronautic equipment
 - Nuclear control equipment
 - Submarine repeater equipment
7. Copyright ©1996-2011 by Fuji Electric Co., Ltd. All rights reserved.
No part of this Catalog may be reproduced in any form or by any means without the express permission of Fuji Electric Co., Ltd.
8. If you have any question about any portion in this Catalog, ask Fuji Electric Co., Ltd. or its sales agents before using the product. Neither Fuji Electric Co., Ltd. nor its agents shall be liable for any injury caused by any use of the products not in accordance with instructions set forth herein.