



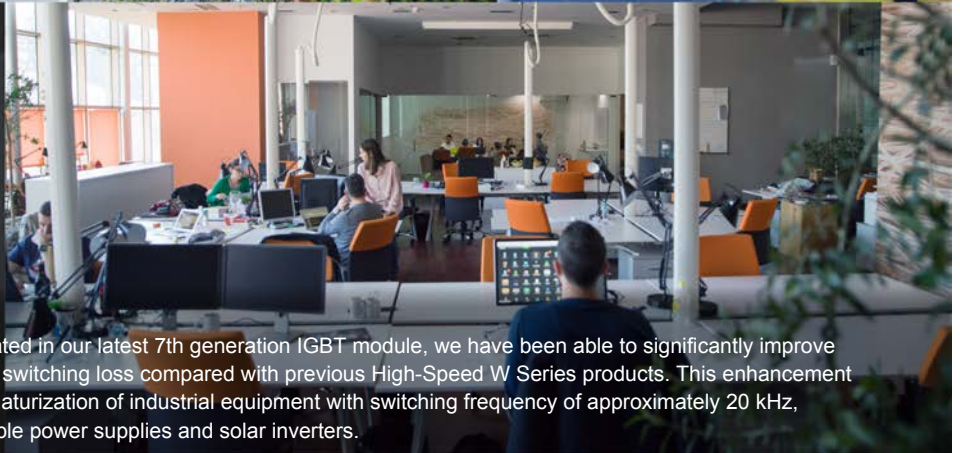
Power Conditioning Sub-System



EV Charger

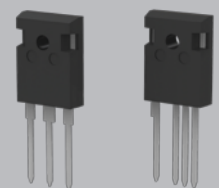
New Eco-Friendly IGBT Achieving High Efficiency, Low Loss and Energy Savings

UPS



By applying the technology we cultivated in our latest 7th generation IGBT module, we have been able to significantly improve the trade-off between on-voltage and switching loss compared with previous High-Speed W Series products. This enhancement contributes to energy saving and miniaturization of industrial equipment with switching frequency of approximately 20 kHz, which is common among uninterruptible power supplies and solar inverters.

- $V_{CE(sat)}$ - switching loss trade-off improvement
- IGBT, FWD optimized for approximately $f_c = 20$ kHz operation
- Ideal for 3-level inverters, bridge inverters, and PFC circuits



Package : TO-247, TO-247-4

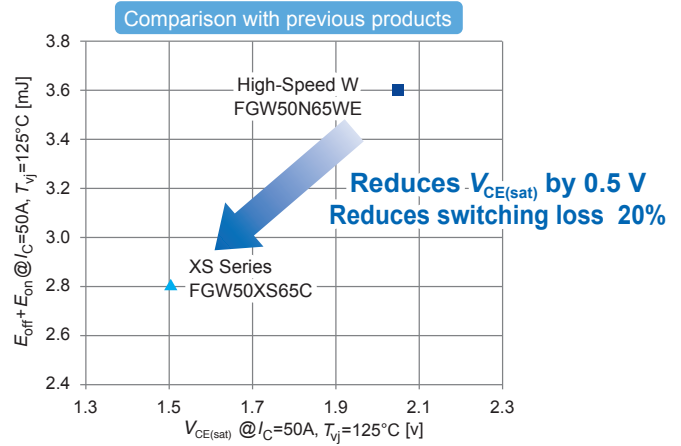
Application example : UPS, power conditioning sub-systems,
communication equipment, servers, EV chargers, etc.

1. $V_{CE(sat)}$ – switching loss trade-off improvement

Improves the $V_{CE(sat)}$ – switching loss trade-off by applying our latest 7th generation IGBT technology



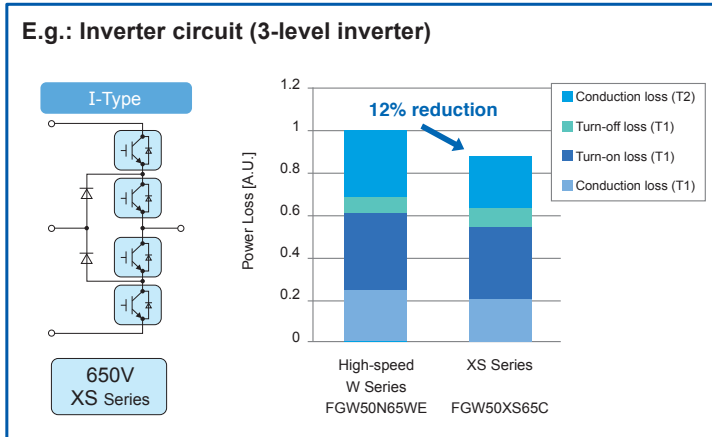
Compared with the High-Speed W Series, it achieves $V_{CE(sat)}$: 0.5 V reduction
Switching loss : 20% reduction



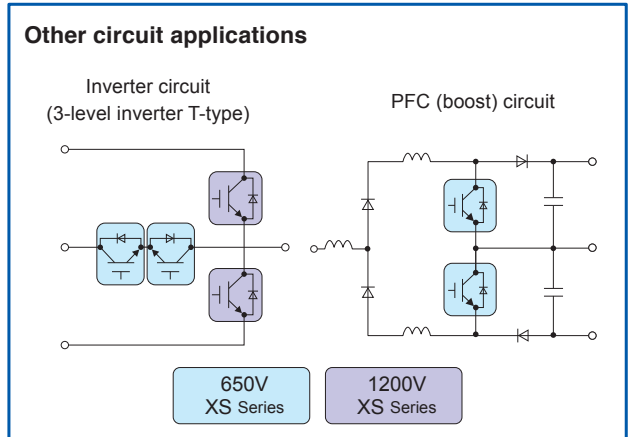
2. Ideal for 3-level inverters, bridge inverters, and PFC circuits

Reduces inverter loss 12% compared with previous products

E.g.: Inverter circuit (3-level inverter)



Other circuit applications



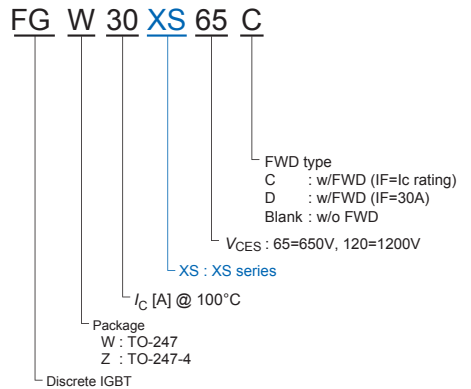
[Loss calculation conditions] $f_c=20kHz$, $V_{dc}=400V$, $I_c=30Arms$, $V_{GE}=+15/-8V$, $T_j=125^\circ C$, $PF=1.0$

Product Line-up

VCES	PKG	Rated current I_C				FWD
		30A	40A	50A	75A	
650V	TO-247	FGW30XS65C	FGW40XS65C	FGW50XS65C	FGW75XS65C	IF=Ic rating
				FGW50XS65D	FGW75XS65D	IF=30A
	TO-247-4L	FGW30XS65	FGW40XS65	FGW50XS65	FGW75XS65	—
					FGZ75XS65C	IF=Ic rating
1200V	TO-247		FGW40XS120C		FGW75XS120C	IF=Ic rating
			FGW40XS120		FGW75XS120	—

* : Under development

Type designation



⚠ Safety Precautions

- * Before using this product, read the "Instruction Manual" and "Specifications" carefully, and consult with the retailer from which you purchased this product as necessary to use this product correctly.
- * The product must be handled by a technician with the appropriate skills.

Fuji Electric Co., Ltd.

URL www.fujielectric.com/products/semiconductor/
Gate City Ohsaki, East Tower, 1-11-2, Osaki, Shinagawa-ku, Tokyo 141-0032, Japan Tel:+81-3-5435-7156

- Fuji Electric Hong Kong Co., Ltd. Suites 1911-13, 19/F., Tower 6, The Gateway, Harbour City, Tsim Sha Tsui, Kowloon, Hong Kong Tel: +852-2664-8699
- Fuji Electric Taiwan Co., Ltd. 10F. No.168, Song Jiang Road, Taipei, Taiwan Tel: +886-2-2515-1850
- Fuji Electric Asia Pacific Pte. Ltd. 151 Lorong Chuan, #2-01A, New Tech Park, SINGAPORE 556741 Tel: +65-6533-0014
- Fuji Electric India Private Ltd. 409-410, Meadows, Sahar Plaza, J.B. Nagar Andheri-Kurla Road, Andheri(E), Mumbai, India 400059 Tel: +91-22-4010-4870
- Fuji Electric Corp. of America 50 Northfield Avenue Edison, NJ 08837, USA Tel: +1-732-560-9410
- Fuji Electric Europe GmbH Goethering 58, 63067 Offenbach am Main, F.R. GERMANY Tel: +49-69-6690290

2020-9 FOLS PDF

The contents of this document are subject to change without notice.