



Power Conditioning Sub-System

New Eco-Friendly IGBT Achieving High Efficiency, Low Loss and Energy Savings



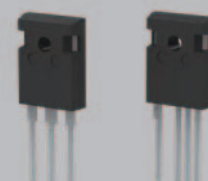
EV Charger

UPS



By applying the technology we cultivated in our latest 7th generation IGBT module, we have been able to significantly improve the trade-off between on-voltage and switching loss compared with previous High-Speed W Series products. This enhancement contributes to energy saving and miniaturization of industrial equipment with switching frequency of approximately 20 kHz, which is common among uninterruptible power supplies and solar inverters.

- $V_{CE(sat)}$ - switching loss trade-off improvement
- IGBT, FWD optimized for approximately $f_c = 20$ kHz operation
- Ideal for 3-level inverters, bridge inverters, and PFC circuits



Package : TO-247, TO-247-4

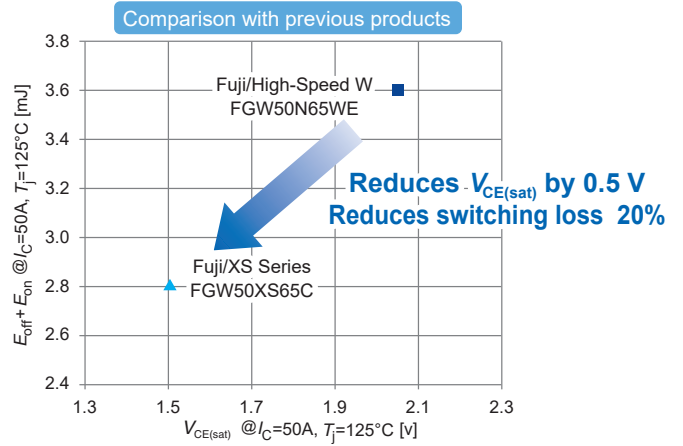
Application example : UPS, power conditioning sub-systems,
communication equipment, servers, EV chargers, etc.

1. $V_{CE(sat)}$ – switching loss trade-off improvement

Improves the $V_{CE(sat)}$ – switching loss trade-off by applying our latest 7th generation IGBT technology

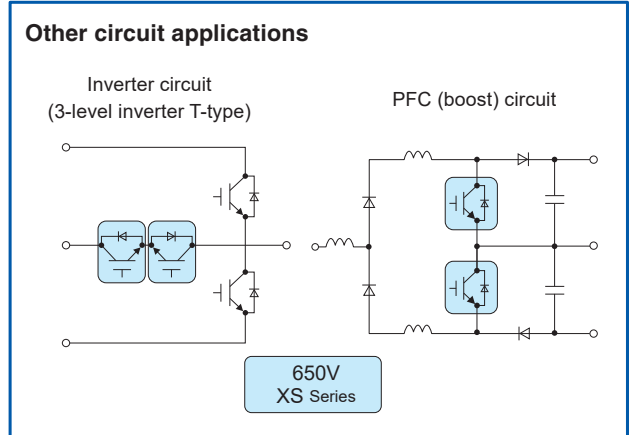
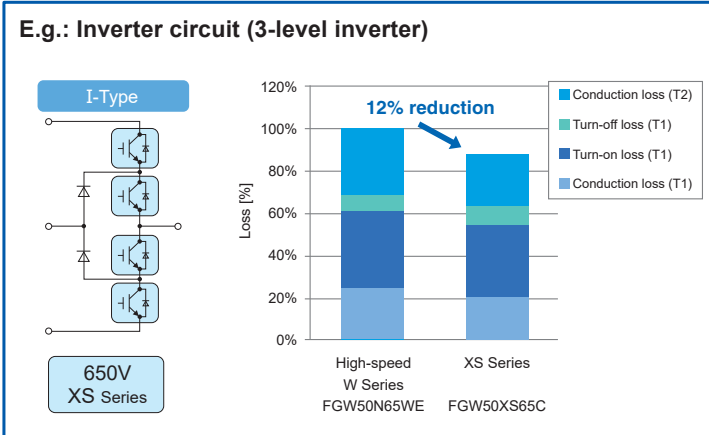


Compared with the High-Speed W Series, it achieves $V_{CE(sat)}$: 0.5 V reduction
Switching loss : 20% reduction



2. Ideal for 3-level inverters, bridge inverters, and PFC circuits

Reduces inverter loss 12% compared with previous products

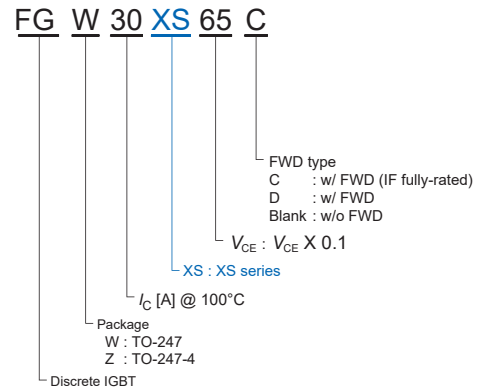


[Loss calculation conditions] IGBT=650V/50A, $f_c=20kHz$, $V_{dc}=400V$, $I_C=30Arms$, $V_{CE}=+15/-8V$, $T_j=125^\circ C$, $PF=1.0$

Product Line-up

V_{CE} (V)	I_C (A)	Product type			Package
		Without internal diode	With internal diode		
			$I_F=I_C$	$I_F=30A$	
650	30	FGW30XS65	FGW30XS65C		TO-247
	40	FGW40XS65	FGW40XS65C		
	50	FGW50XS65	FGW50XS65C	FGW50XS65D	
	75	FGW75XS65	FGW75XS65C	FGW75XS65D	
			FGZ75XS65C		TO-247-4

Type designation



⚠ Safety Precautions

- * Before using this product, read the "Instruction Manual" and "Specifications" carefully, and consult with the retailer from which you purchased this product as necessary to use this product correctly.
- * The product must be handled by a technician with the appropriate skills.

Fuji Electric Co., Ltd.

URL <http://www.fujielectric.com/products/semiconductor/>
Gate City Ohsaki, East Tower, 1-11-2, Osaki, Shinagawa-ku, Tokyo 141-0032, Japan Tel:+81-3-5435-7156

- | | | |
|--|--|-----------------------|
| • Fuji Electric Hong Kong Co., Ltd. | Suites 1911-13, 19/F., Tower 6, The Gateway, Harbour City, Tsim Sha Tsui, Kowloon, Hong Kong | Tel: +852-2664-8699 |
| • Fuji Electric Taiwan Co., Ltd. | 10F. No.168, Song Jiang Road, Taipei, Taiwan | Tel: +886-2-2515-1850 |
| • Fuji Electric Asia Pacific Pte. Ltd. | 151 Lorong Chuan, #2-01A, New Tech Park, SINGAPORE 556741 | Tel: +65-6533-0014 |
| • Fuji Electric Corp. of America | 50 Northfield Avenue Edison, NJ 08837, USA | Tel: +1-732-560-9410 |
| • Fuji Electric Europe GmbH | Goethering 58, 63067 Offenbach, am Main, F.R. GERMANY | Tel: +49-69-6690290 |

The contents of this document are subject to change without notice.