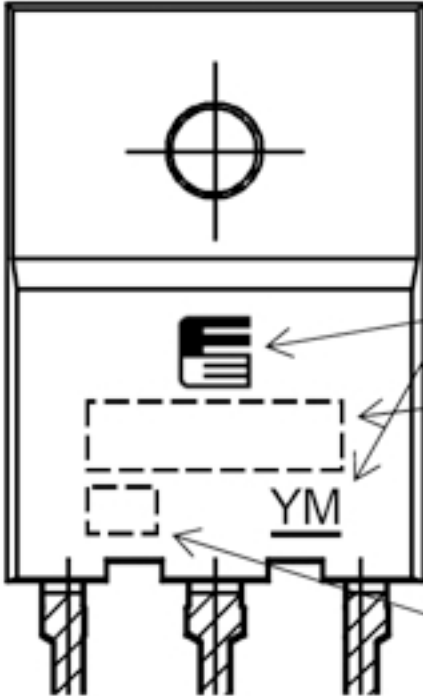
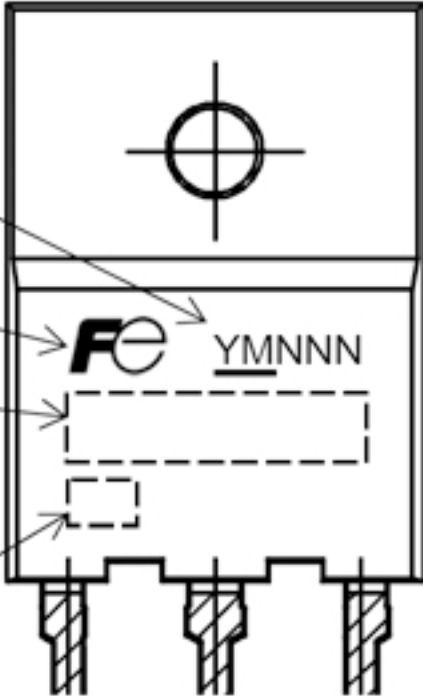


6) Changing of Marking and Applied Products

| | | | |
|---|---|--|--|
| <p>Applicability</p> | <p>Power MOSFET TO-3PF Package</p> | | |
| <p>Changing of Marking</p> | <div style="display: flex; justify-content: space-around;"> <div style="text-align: center;"> <p><Current Marking></p>  <p>Date code & lot number: YM (year/month)</p> </div> <div style="text-align: center;"> <p><New Marking></p>  <p>Date code & lot number : YMNNN (year/month/serial number)</p> </div> </div> <div style="margin-top: 20px; text-align: center;"> <p>Labels for marking change:</p> <ul style="list-style-type: none"> Date Code & lot number Trademark Type name Optional mark </div> | | |
| <p>Applied Products (Basic P/N)</p> | <p>2SK2691-01R</p> | <p>2SK2894-01R 2SK2899-01R 2SK2905-01R 2SK2907-01R</p> | <p>2SK2224-01R 2SK2653-01R 2SK2759-01R 2SK3876-01R</p> |

* The applied products were include the derivation parts number, such as lead-forming , optional packing , characteristic classification and etc.