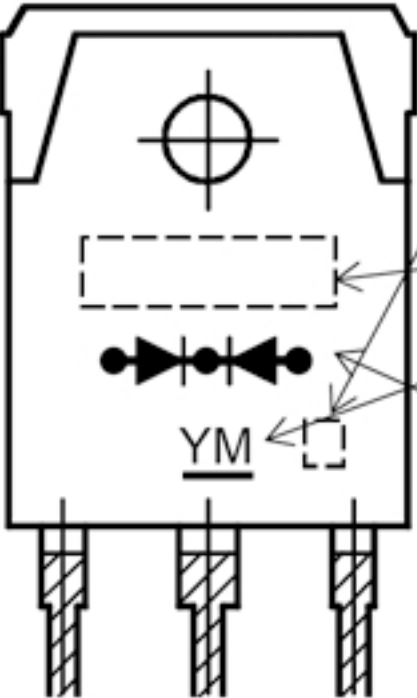
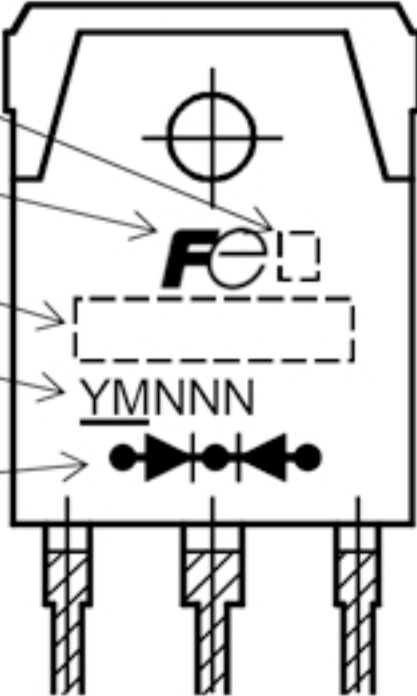


6) Changing of Marking and Applied Products

<p>Applicability</p>	<p>Rectifiers TO-3P Package</p>	
<p>Changing of Marking</p>	<div style="display: flex; justify-content: space-around; align-items: center;"> <div style="text-align: center;"> <p><Current Marking></p>  <p>Date code & lot number: YM (year/month)</p> </div> <div style="text-align: center;"> <p><New Marking></p>  <p>Date code & lot number : YMNNN (year/month/serial number)</p> </div> </div>	
<p>Applied Products (Basic P/N)</p>	<p>PA905C6R</p>	

* The applied products were include the derivation parts number, such as lead-forming , optional packing , characteristic classification and etc.