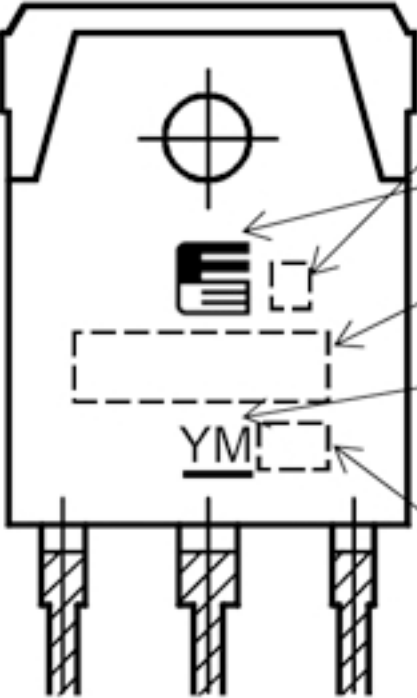



## 6) Changing of Marking and Applied Products

|   |  |   |  |
|---|--|---|--|
| <p>Applicability</p>                    | <p>Power MOSFET<br/>TO-3P Package</p>  |   |  |
| <p>Changing of Marking</p>              | <div style="display: flex; justify-content: space-around;"> <div style="text-align: center;"> <p>&lt;Current Marking&gt;</p>  <p>Date code &amp; lot number:<br/>YM (year/month)</p> </div> <div style="text-align: center;"> <p>&lt;New Marking&gt;</p>  <p>Date code &amp; lot number :<br/>YMNNN (year/month/serial number)</p> </div> </div> <div style="margin-top: 20px; text-align: center;"> <p>Country of origin mark</p> <p>Trademark</p> <p>Type name</p> <p>Date Code &amp; lot number</p> <p>Optional mark</p> </div> |   |  |
| <p>Applied Products<br/>(Basic P/N)</p> | <p>2SK2690-01</p>  | <p>2SK2893-01<br/>2SK2898-01HG<br/>2SK2898-01<br/>2SK2904-01<br/>2SK2906-01</p> | <p>2SK1942-01<br/>2SK2643-01<br/>2SK2652-01<br/>2SK2753-01<br/>2SK2755-01<br/>2SK2770-01</p> |

\* The applied products were include the derivation parts number, such as lead-forming , optional packing , characteristic classification and etc.