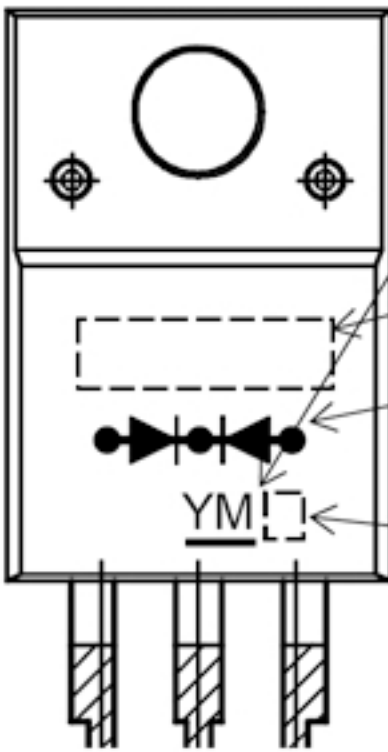
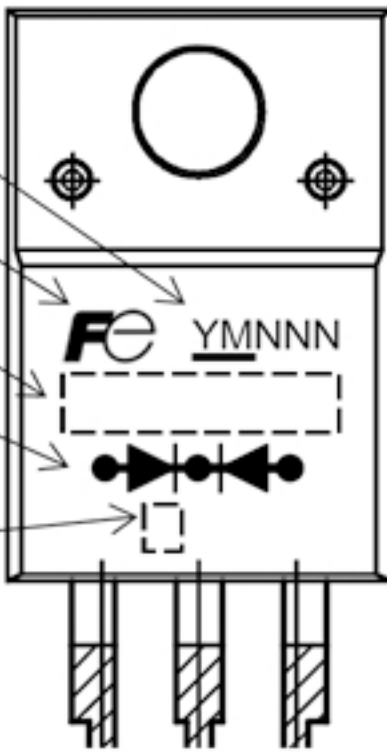


## 6) Changing of Marking and Applied Products

Applicability	Rectifiers TO-220F Package			
Changing of Marking	<div style="display: flex; justify-content: space-around;"> <div style="text-align: center;"> <p>&lt;Current Marking&gt;</p>  <p>Date code &amp; lot number: YM (year/month)</p> </div> <div style="text-align: center;"> <p>&lt;New Marking&gt;</p>  <p>Date code &amp; lot number : YMNNN (year/month/serial number)</p> </div> </div> <div style="display: flex; justify-content: center; margin-top: 10px;"> <div style="border: 1px solid black; padding: 2px; margin: 0 5px;">Date Code &amp; lot number</div> <div style="border: 1px solid black; padding: 2px; margin: 0 5px;">Trademark</div> <div style="border: 1px solid black; padding: 2px; margin: 0 5px;">Type name</div> <div style="border: 1px solid black; padding: 2px; margin: 0 5px;">Polarity mark</div> <div style="border: 1px solid black; padding: 2px; margin: 0 5px;">Country of origin mark</div> </div>			
Applied Products (Basic P/N)	YG802C04R YG802C04RH YG802C09R YG802C09RS YG811S04R YG811S06R YG862C06R YG862C15R YG865C04R YG865C06R YG865C10R YG865C12R YG865C15R YG868C10R YG868C15R YG911S3R YG912S2R	YG801C04R YG801C06R YG801C09R YG801C10R YG802C03R YG802C10R YG803C04R YG803C06R YG804S06R YG805C04R YG808C10R-80 YG808C10R YG811S09RA YG811S09R YG812S04R YG812S06R YG831C03R	YG831C04R YG832C03R YG832C04R YG835C03R YG835C04R YG838C03R YG838C04R YG861S06R YG861S12R YG861S15R YG862C04R YG862C10R YG862C12R YG862C25R YG865C25R YG868C04R	YG868C06R YG868C08R YG868C12R YG868C25R YG882C02R YG885C02R YG901C2R YG901C3R YG904C2R YG912S6R

\* The applied products were include the derivation parts number, such as lead-forming , optional packing , characteristic classification and etc.