

AT-NPC Module Switching Pattern (Three Phase Converter)

Fuji Electric Co., Ltd.

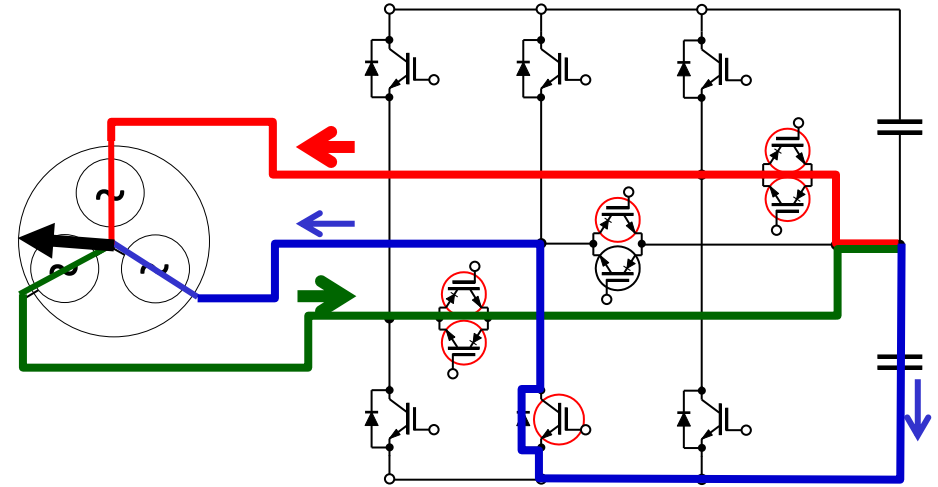
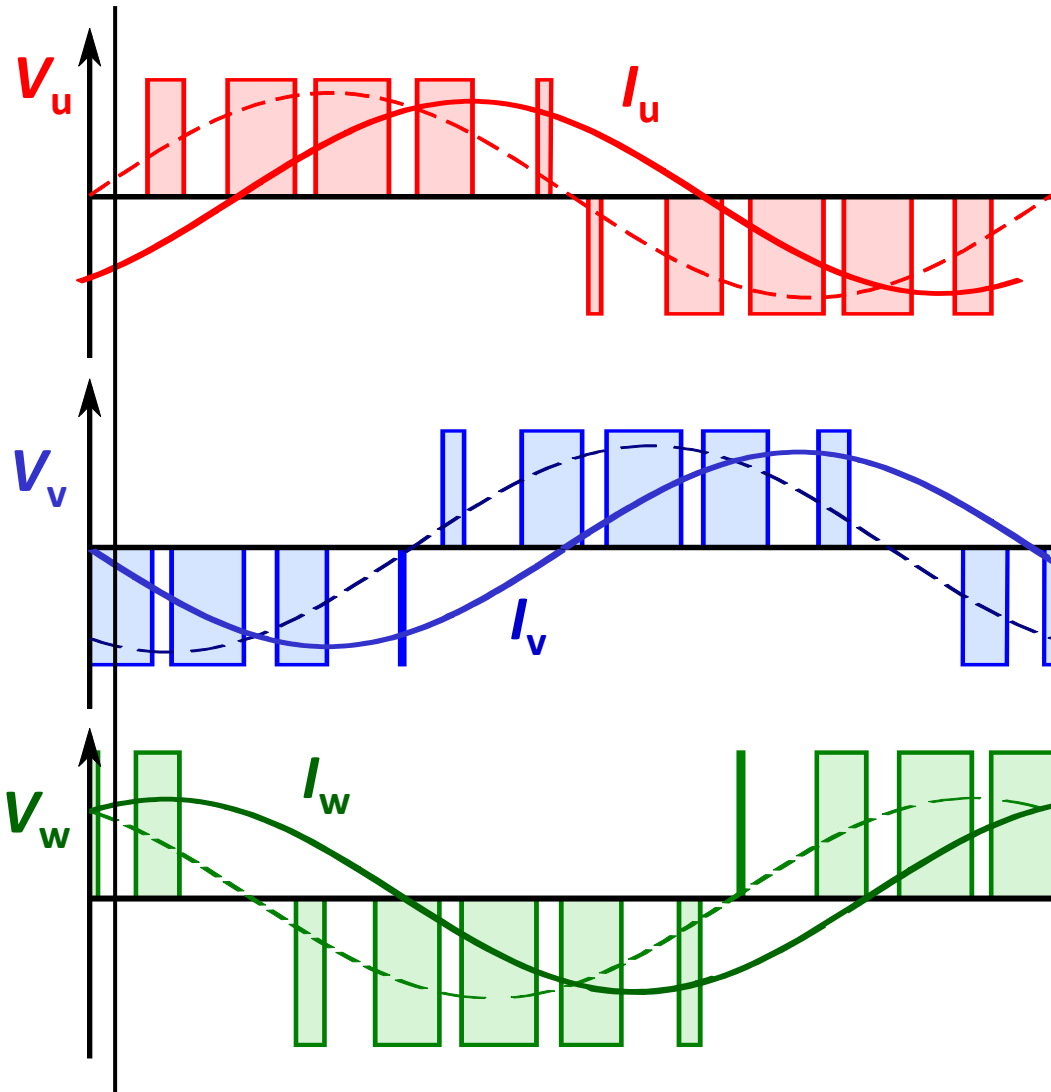
Device Application Technology Dept.

Semiconductor Sales Div.

Sales Group

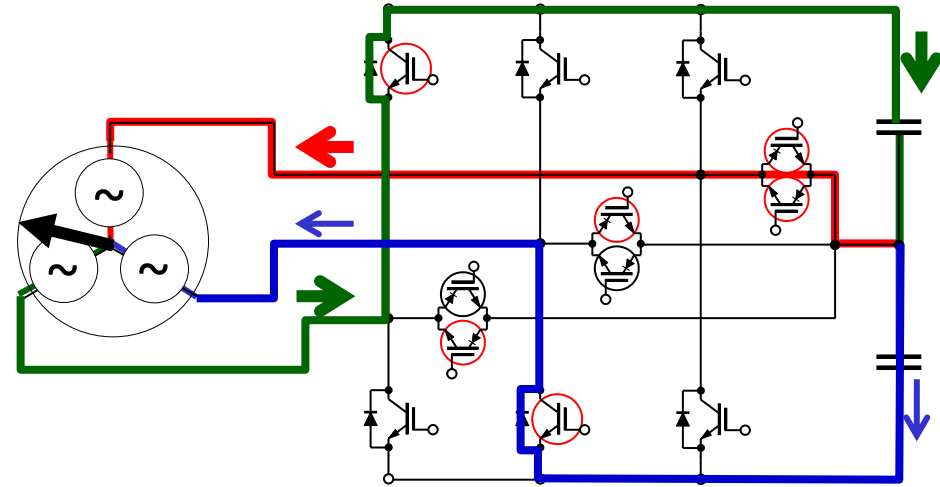
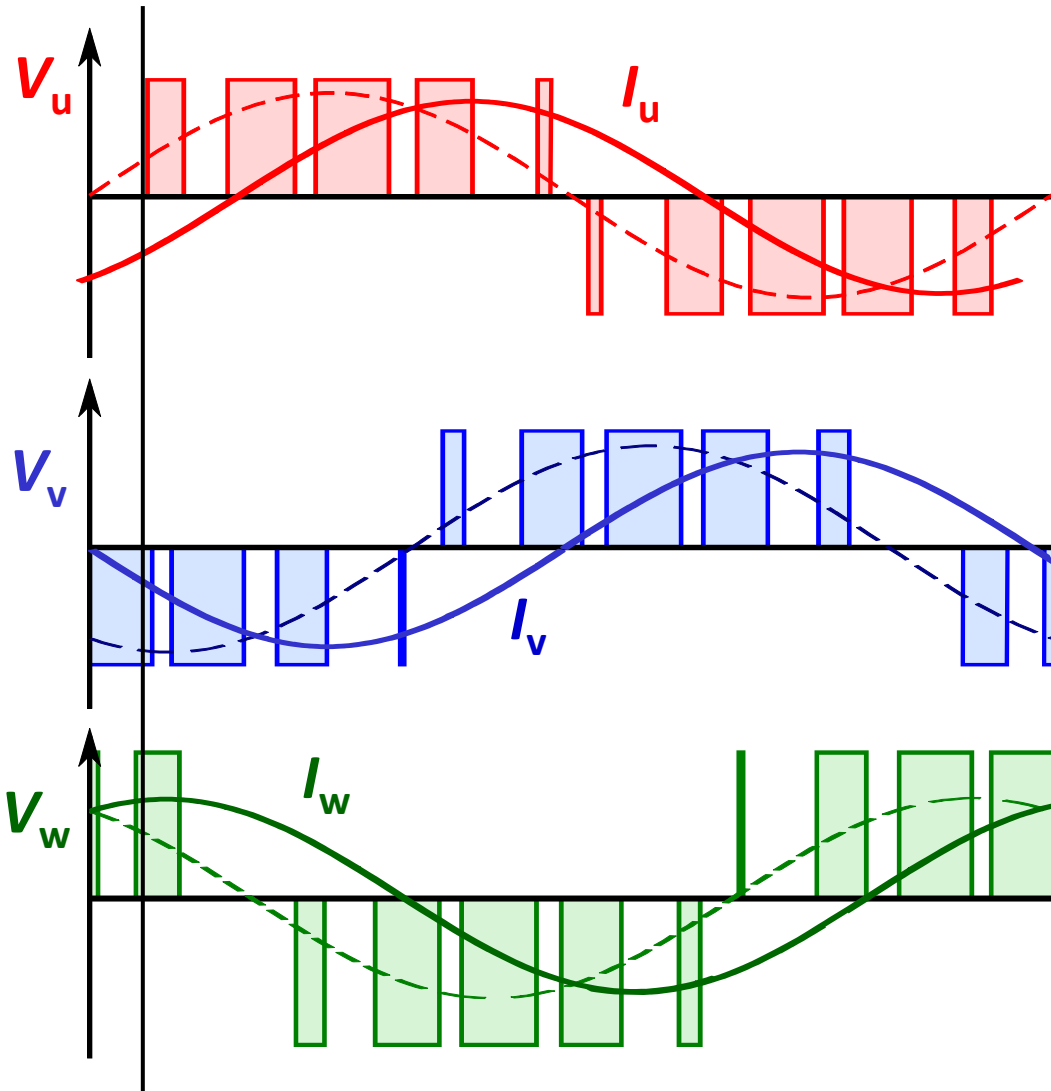
Nov, 2014

3-Phase Circuit with Inductive Load



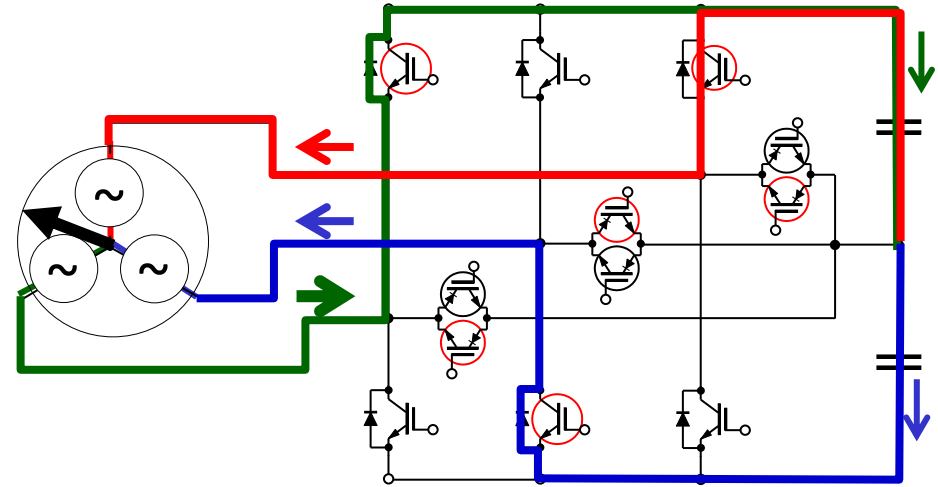
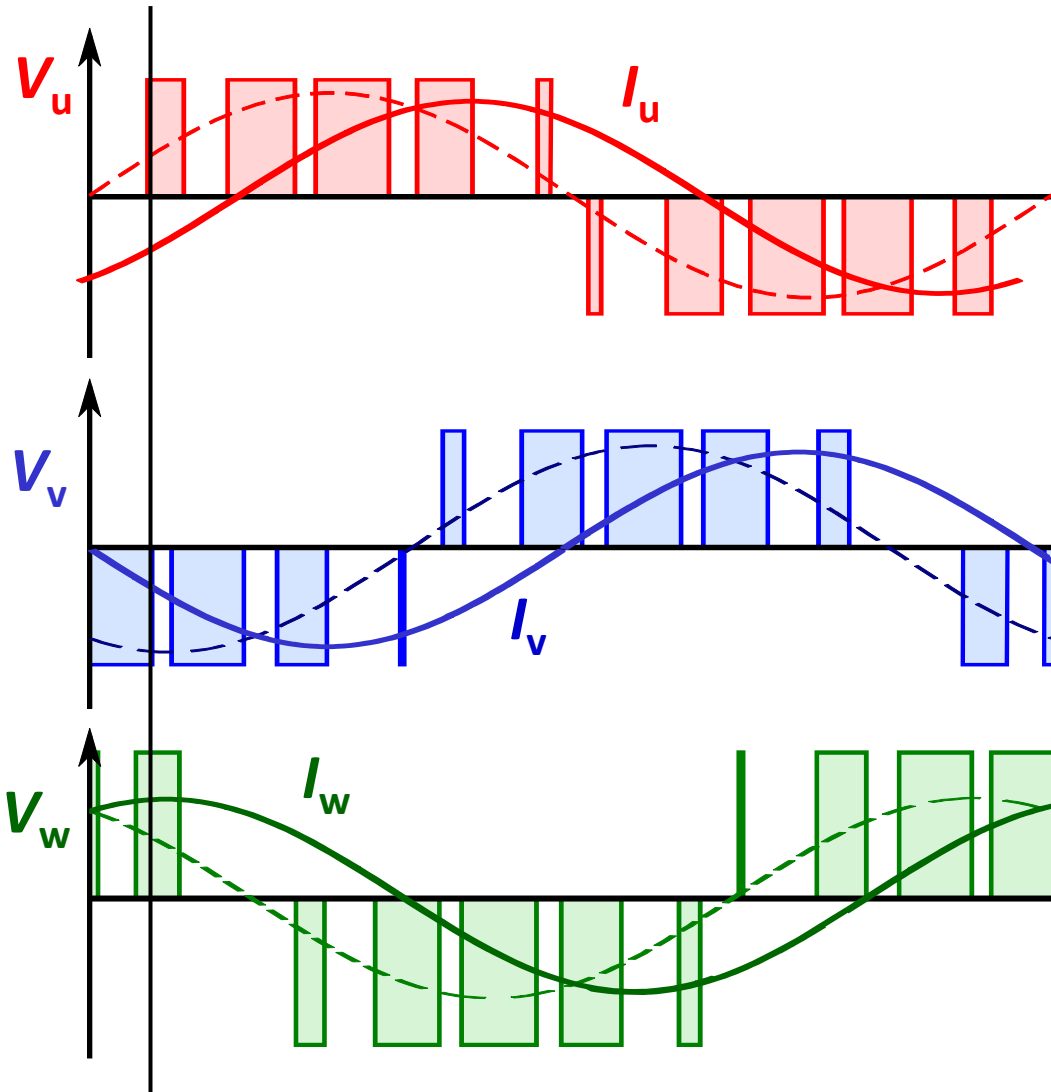
V_u	V_v	V_w
+	-	+
I_u	I_v	I_w
-	-	+

3-Phase Circuit with Inductive Load



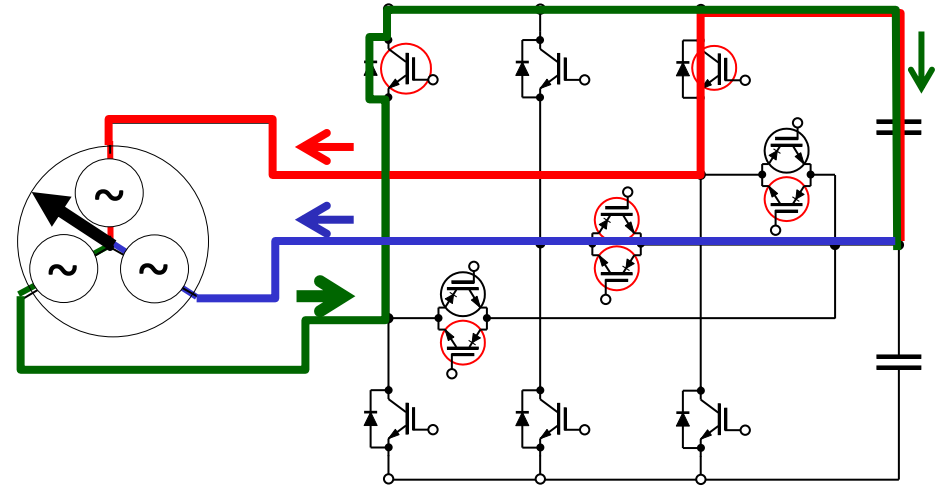
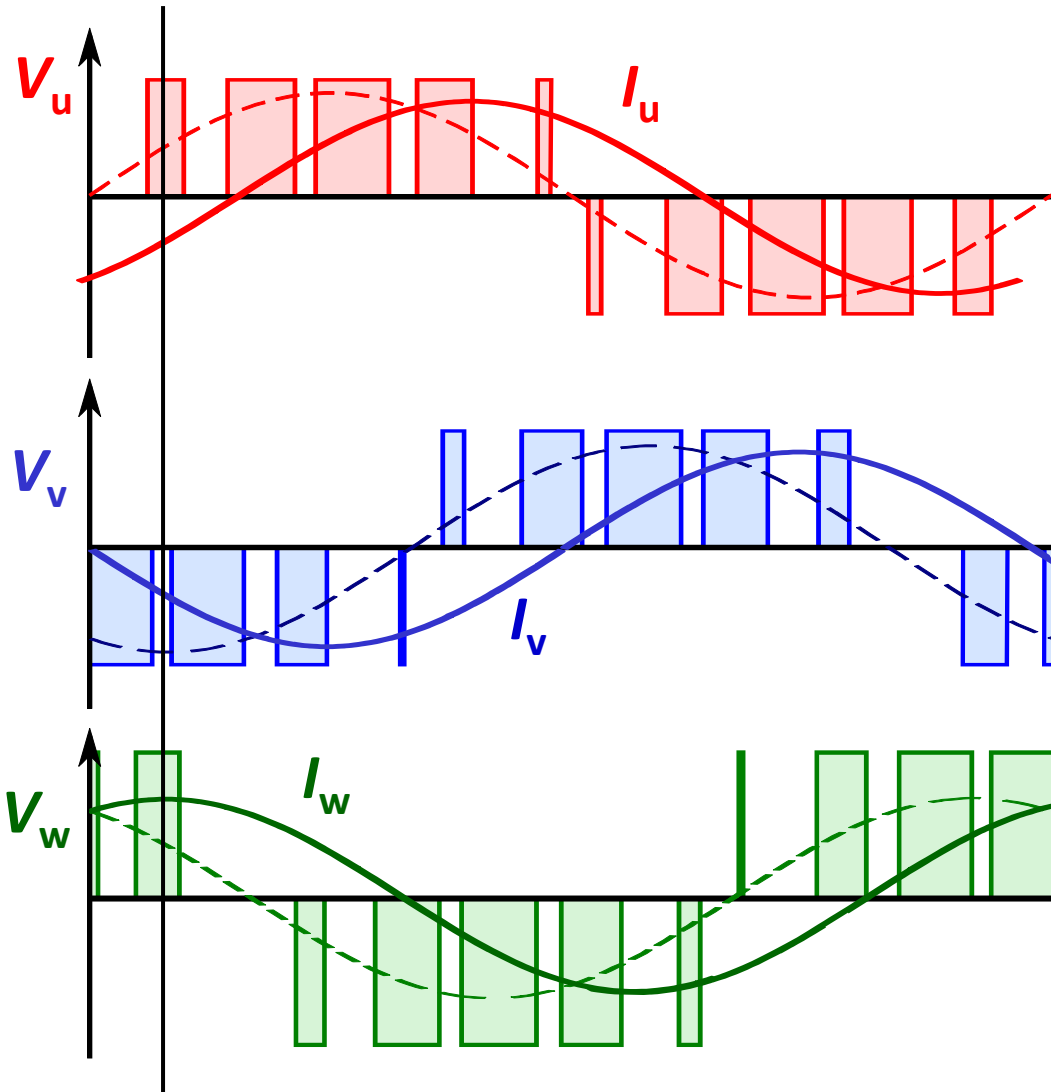
V_u	V_v	V_w
+	-	+
I_u	I_v	I_w
-	-	+

3-Phase Circuit with Inductive Load



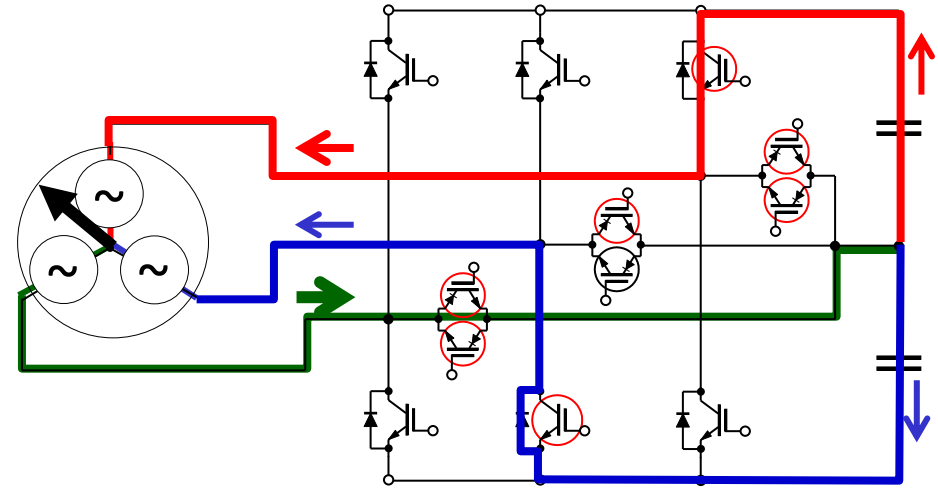
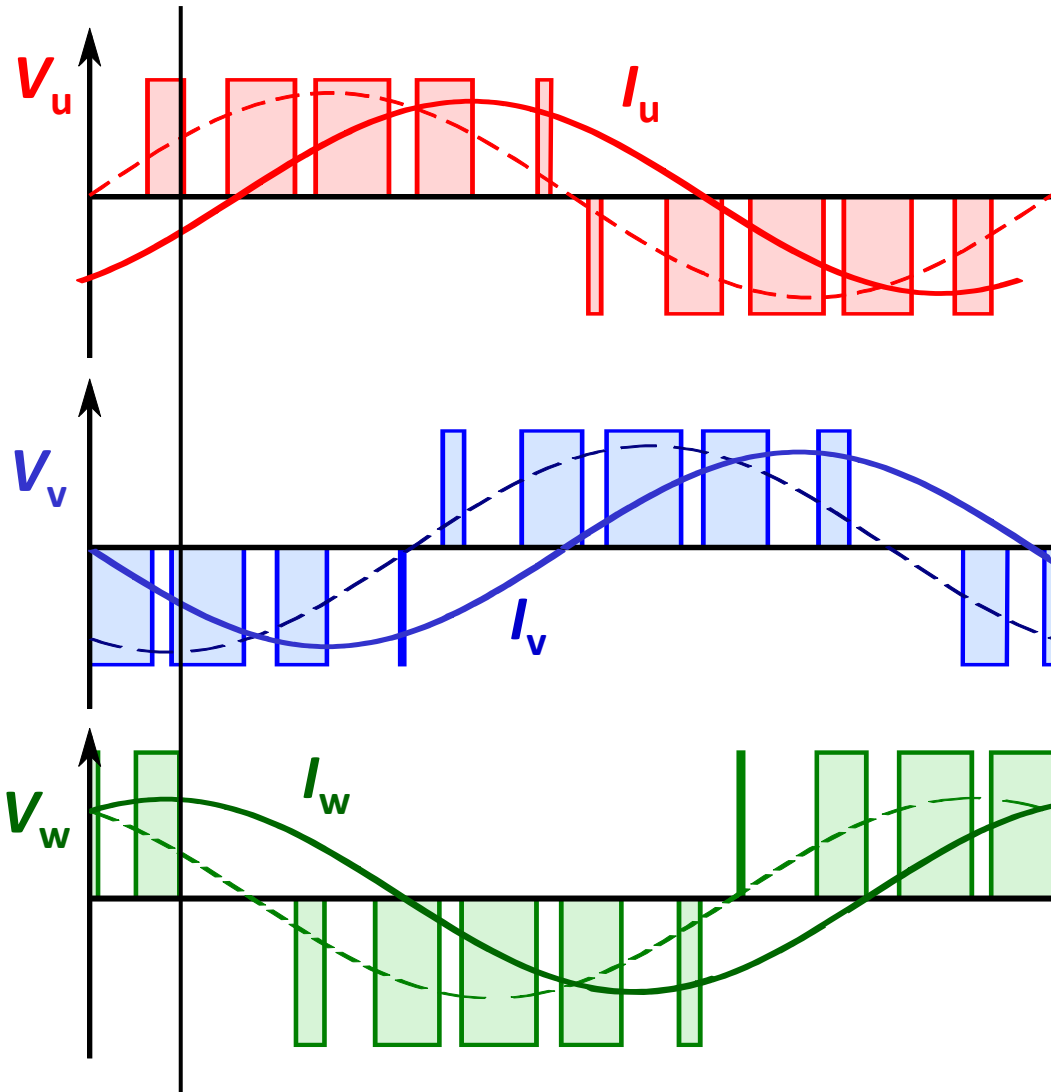
V_u	V_v	V_w
+	-	+
I_u	I_v	I_w
-	-	+

3-Phase Circuit with Inductive Load



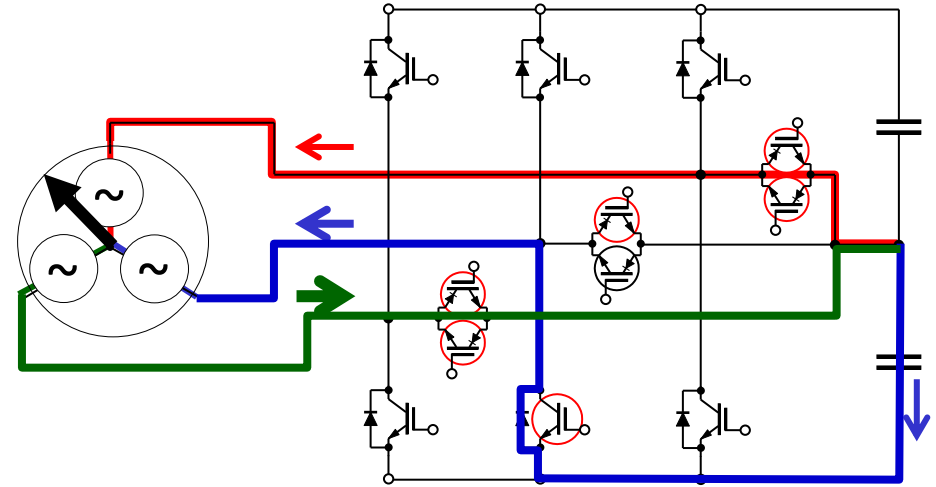
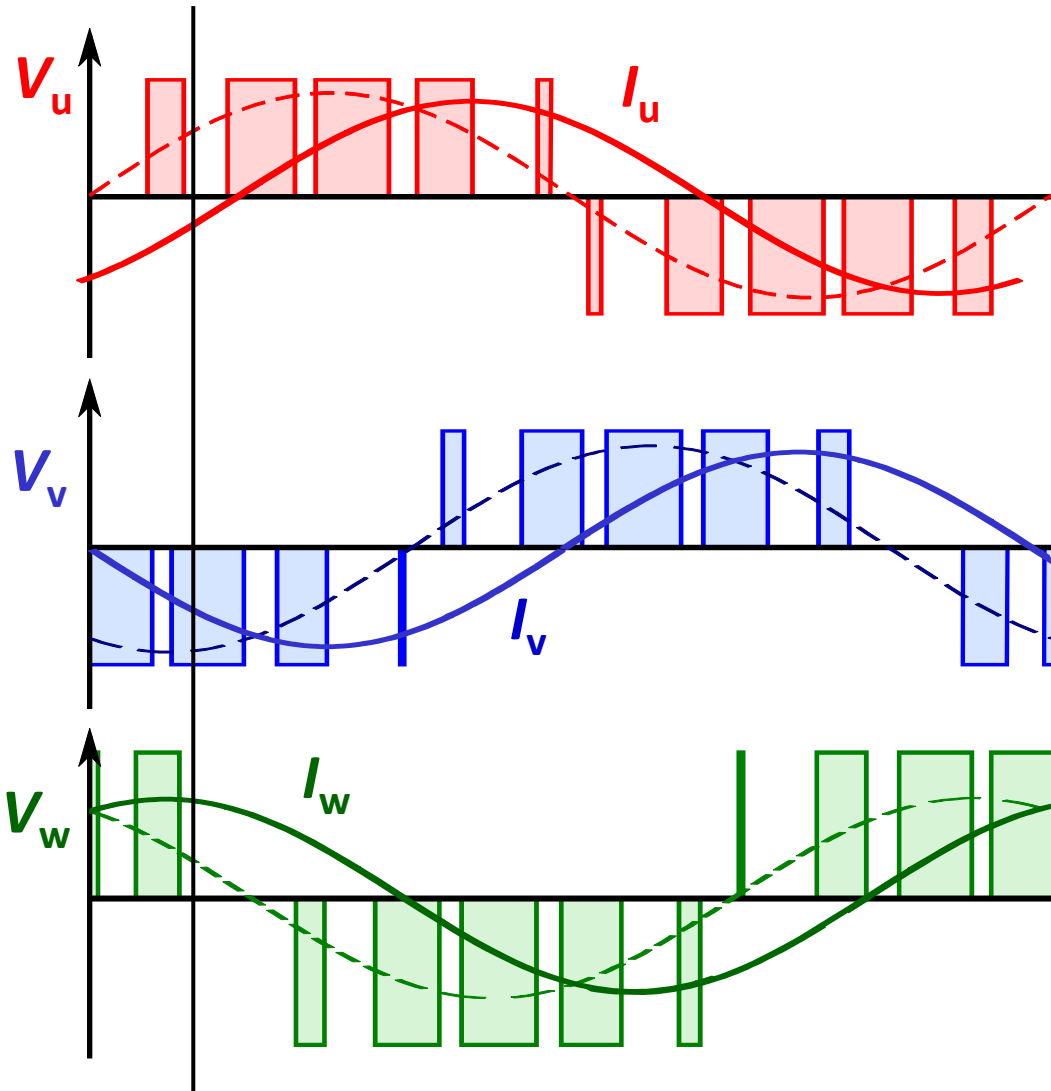
V_u	V_v	V_w
+	-	+
I_u	I_v	I_w
-	-	+

3-Phase Circuit with Inductive Load



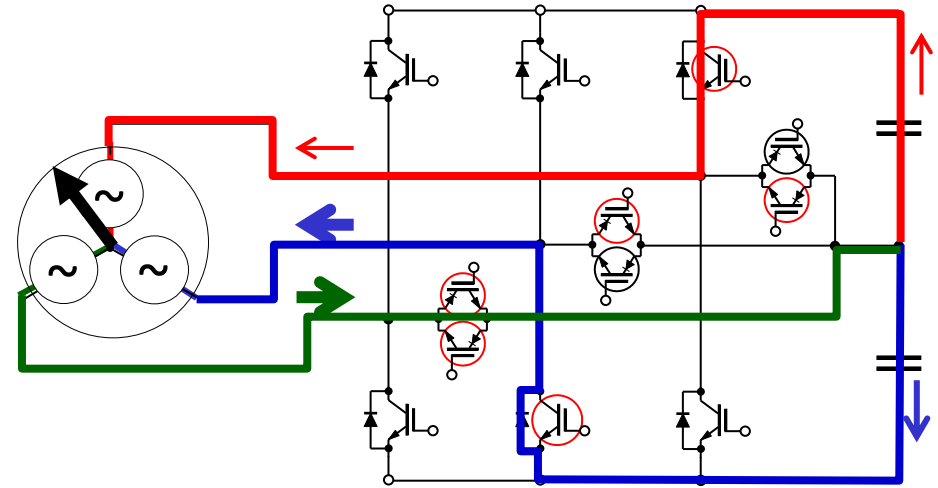
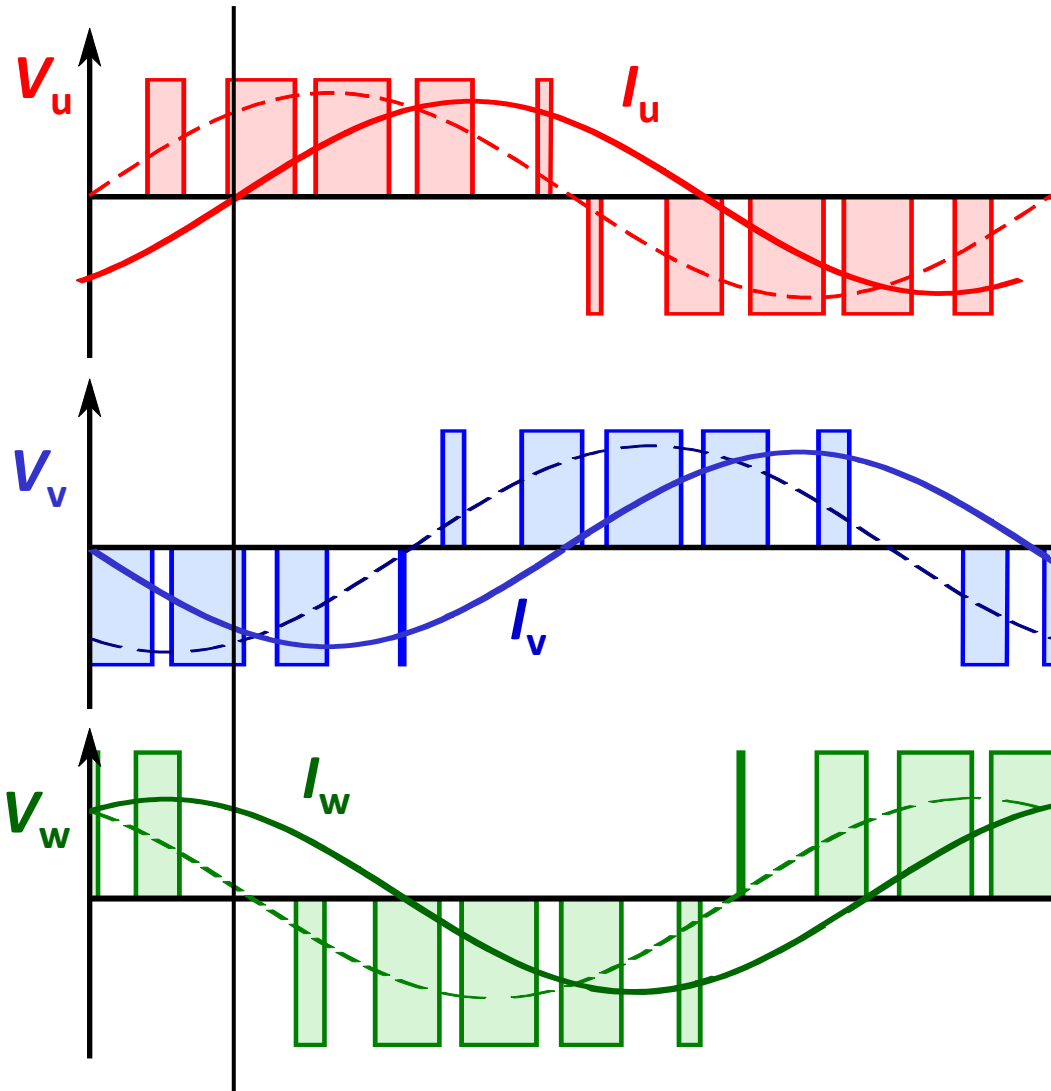
V_u	V_v	V_w
+	-	+
I_u	I_v	I_w
-	-	+

3-Phase Circuit with Inductive Load



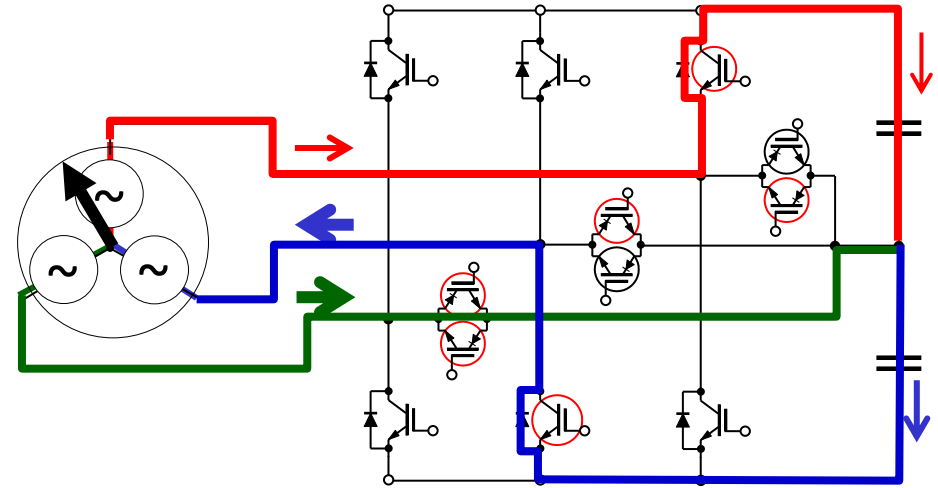
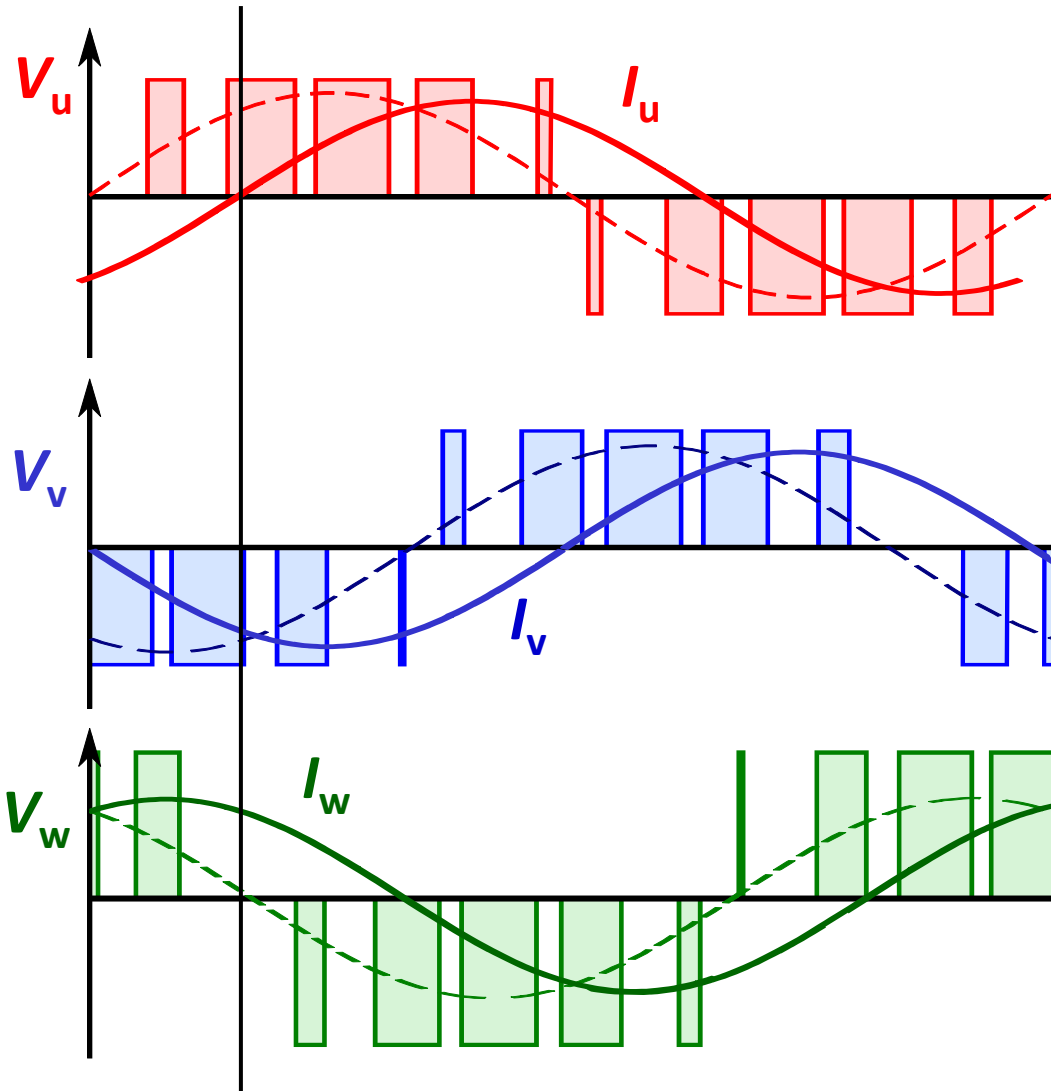
V_u	V_v	V_w
+	-	+
I_u	I_v	I_w
-	-	+

3-Phase Circuit with Inductive Load



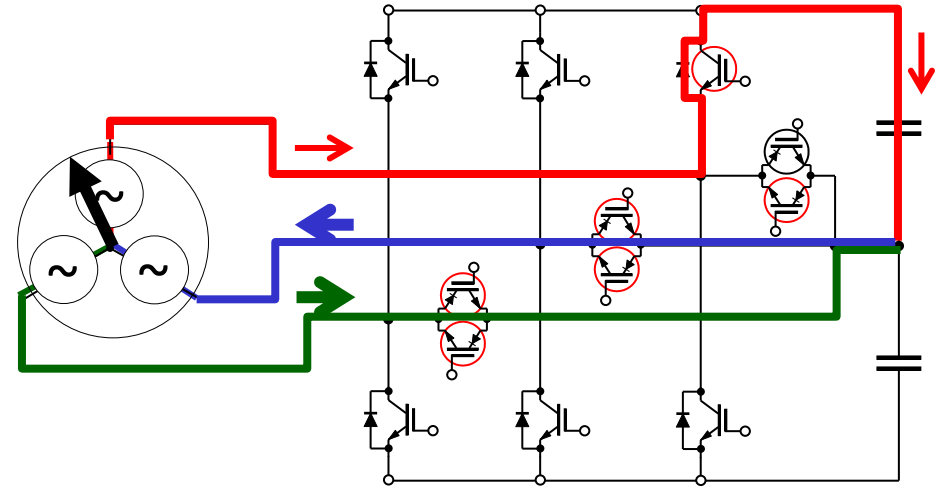
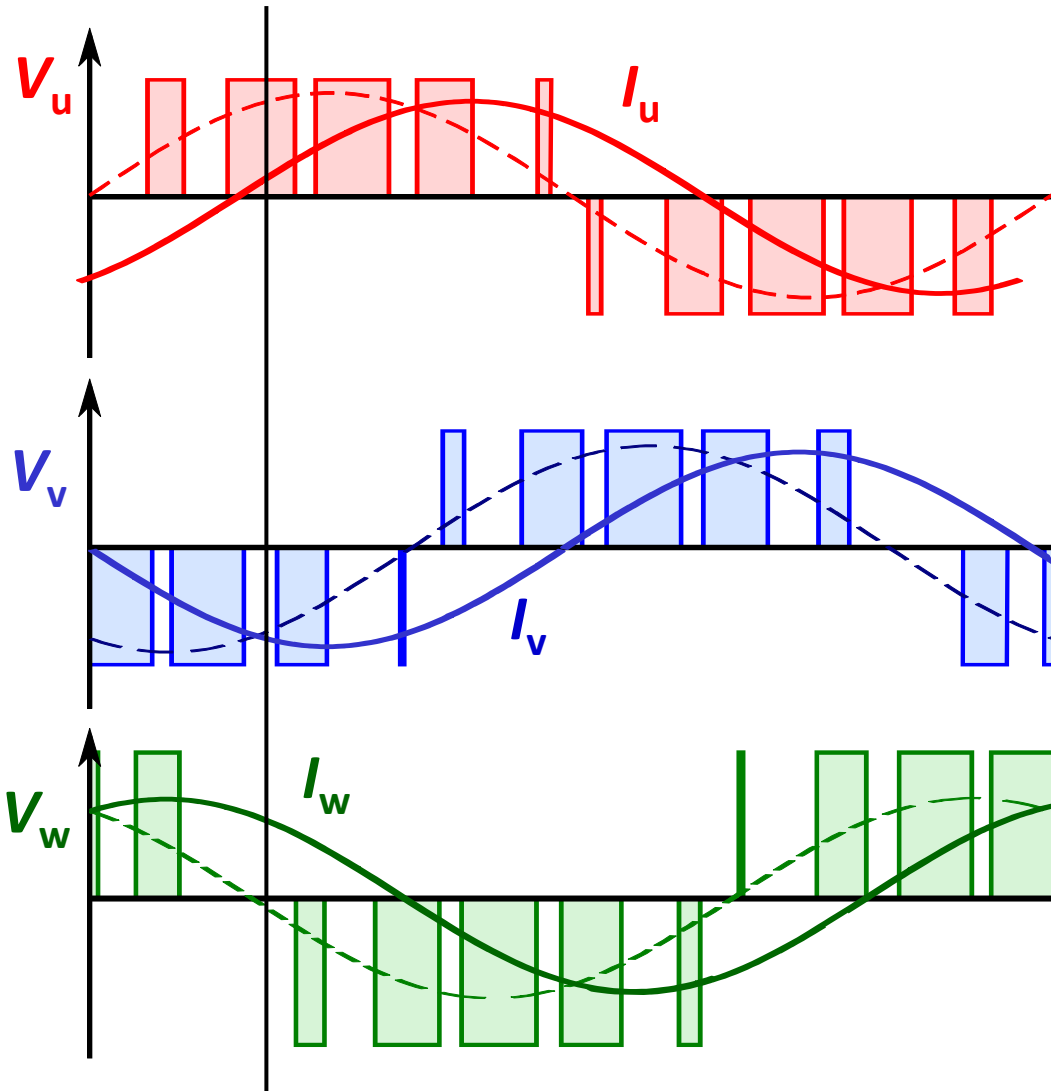
V_u	V_v	V_w
+	-	+
I_u	I_v	I_w
-	-	+

3-Phase Circuit with Inductive Load



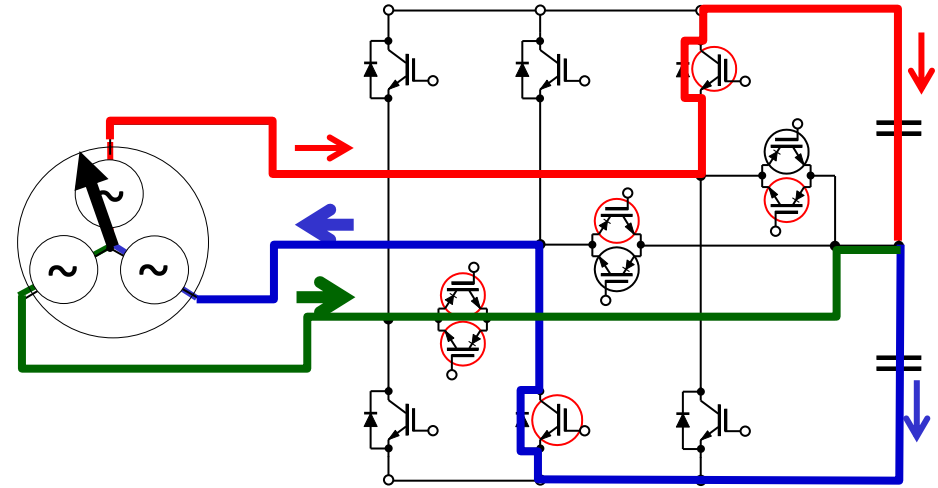
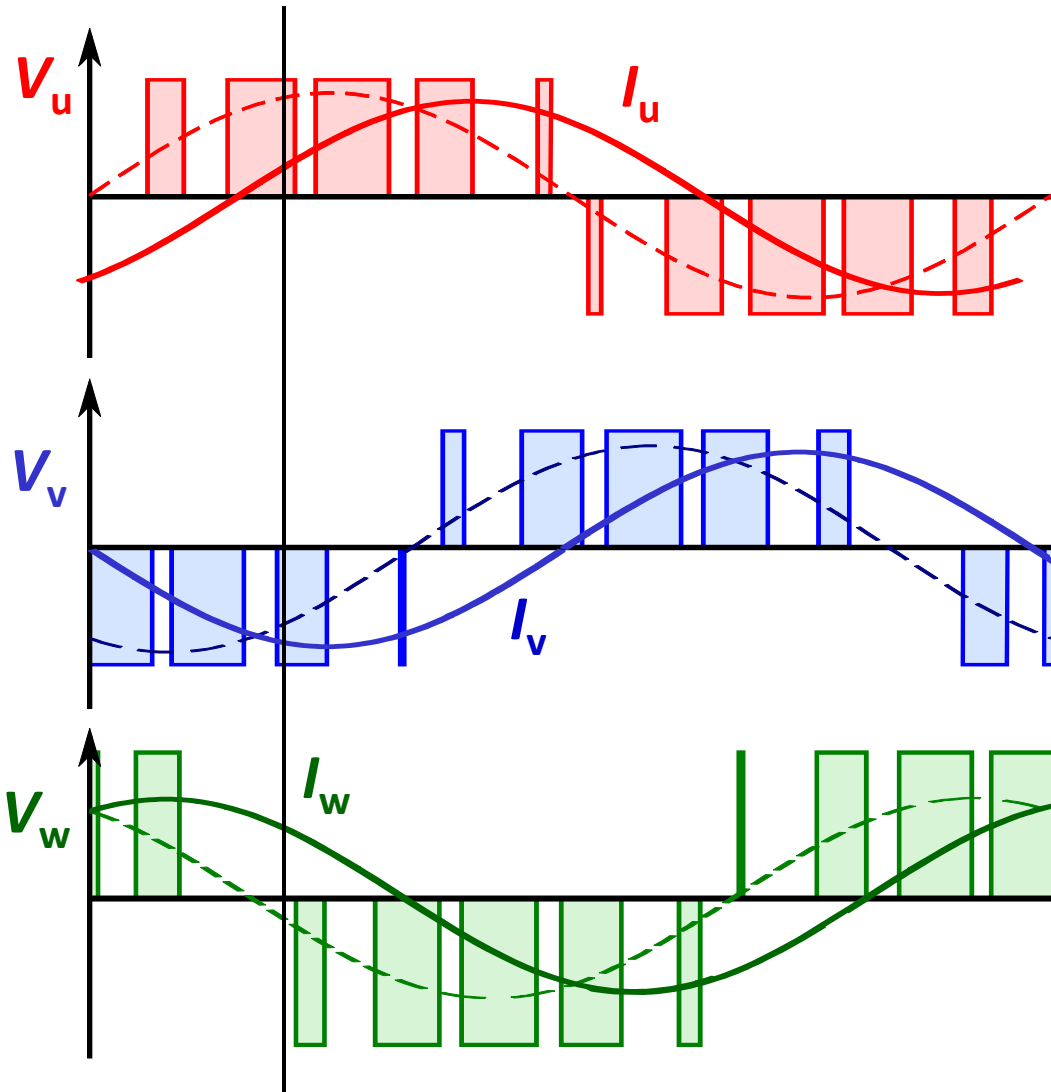
V_u	V_v	V_w
+	-	+
I_u	I_v	I_w
+	-	+

3-Phase Circuit with Inductive Load



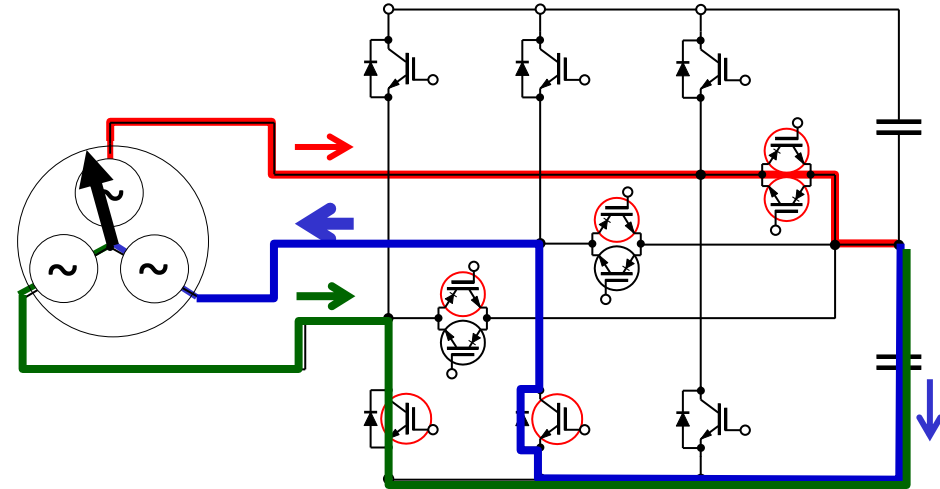
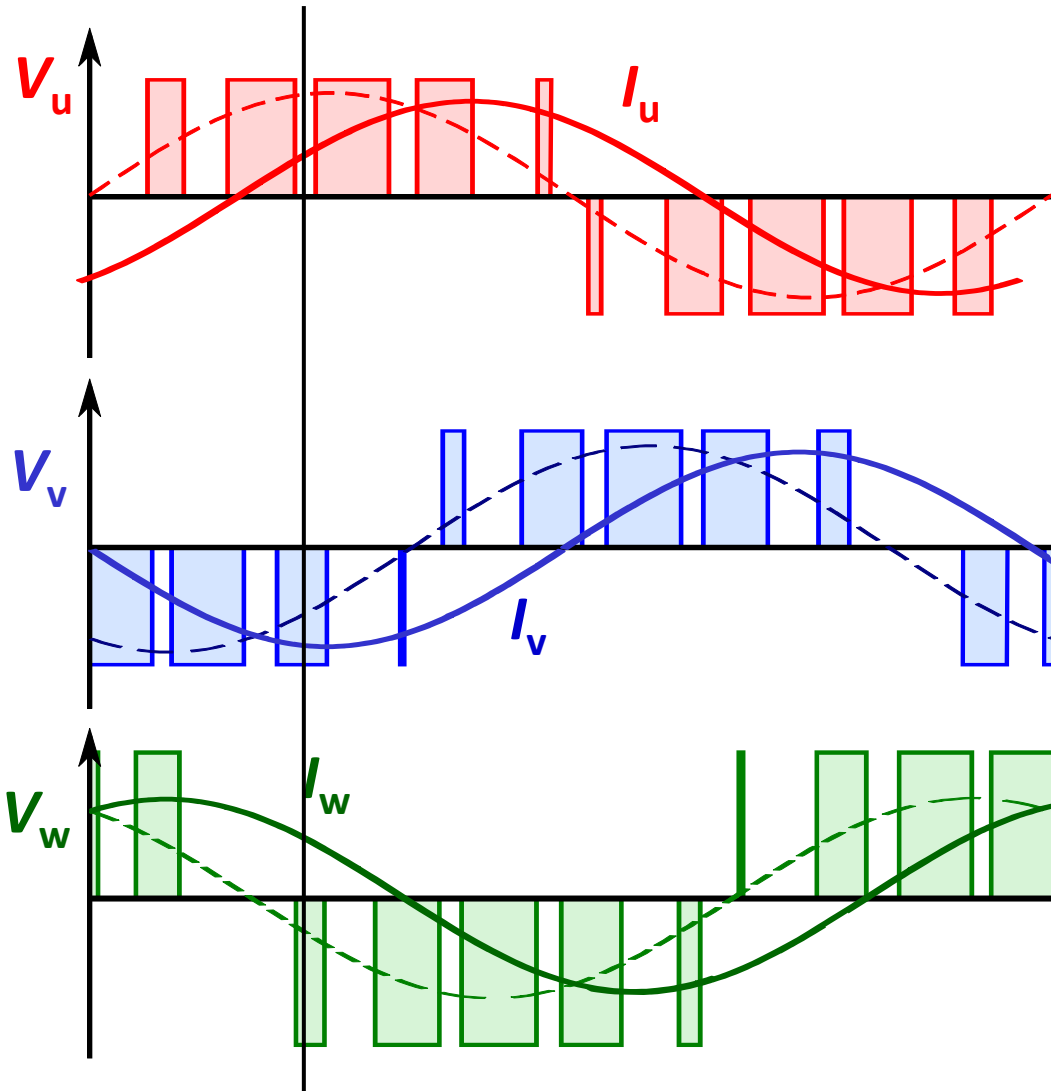
V_u	V_v	V_w
+	-	-
I_u	I_v	I_w
+	-	+

3-Phase Circuit with Inductive Load



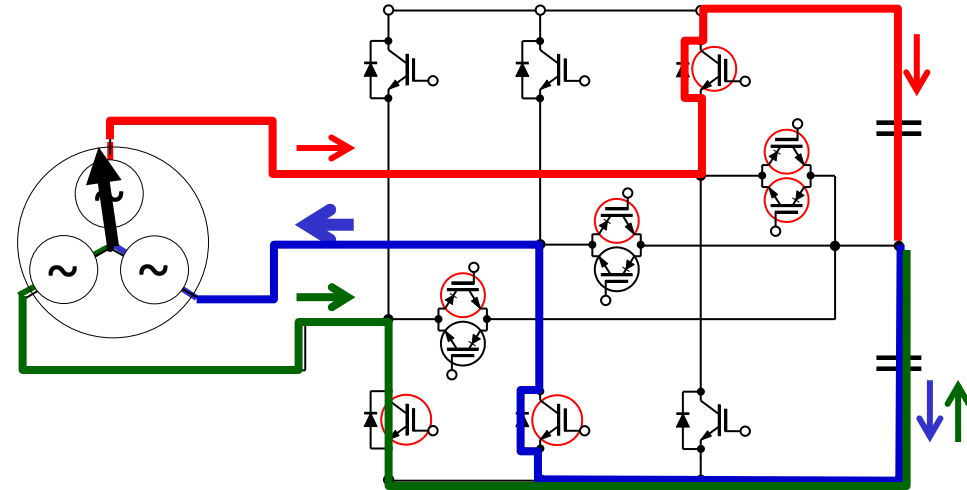
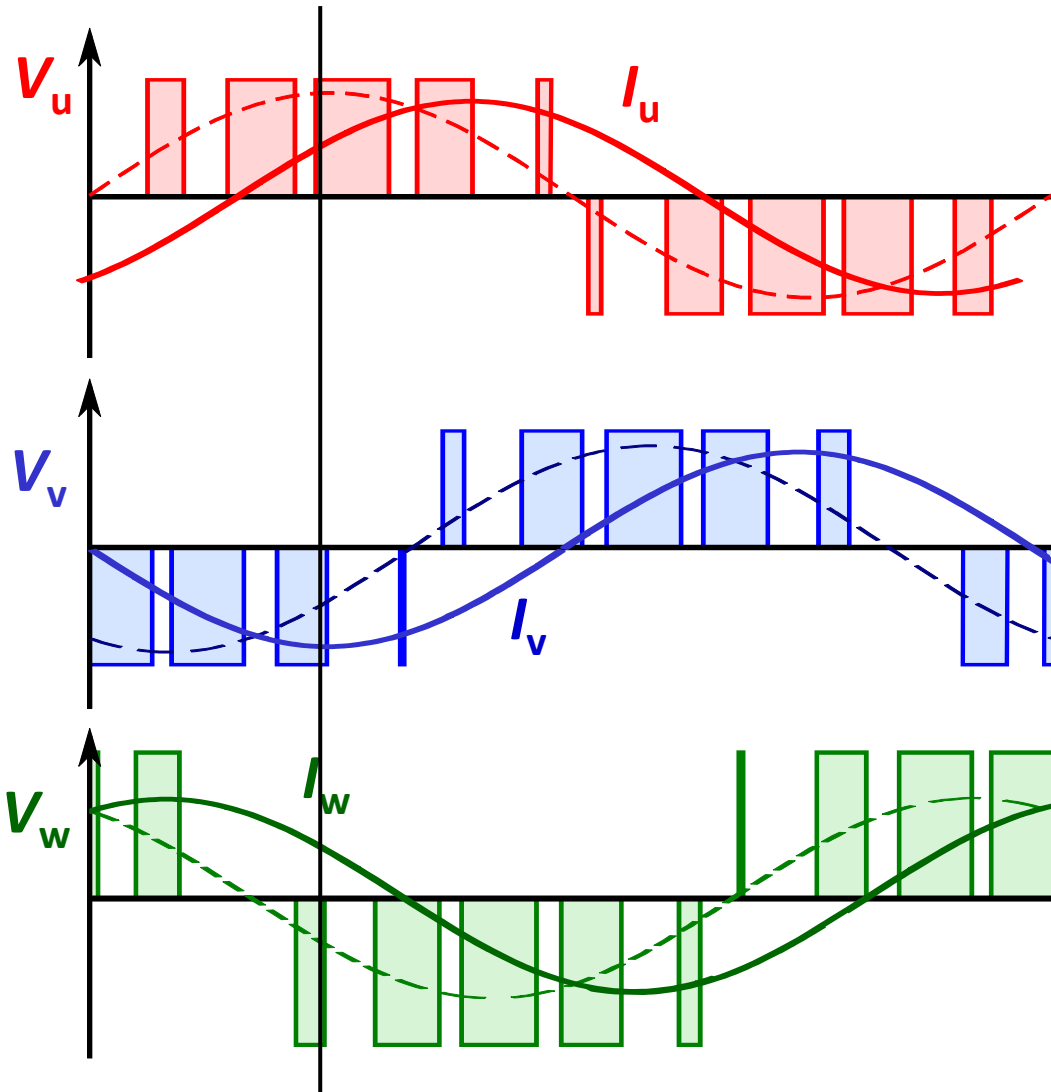
V_u	V_v	V_w
+	-	-
I_u	I_v	I_w
+	-	+

3-Phase Circuit with Inductive Load



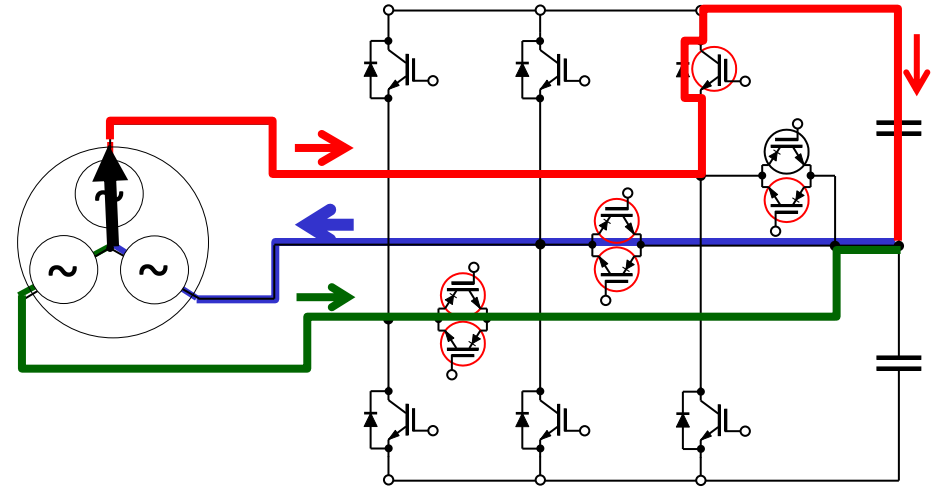
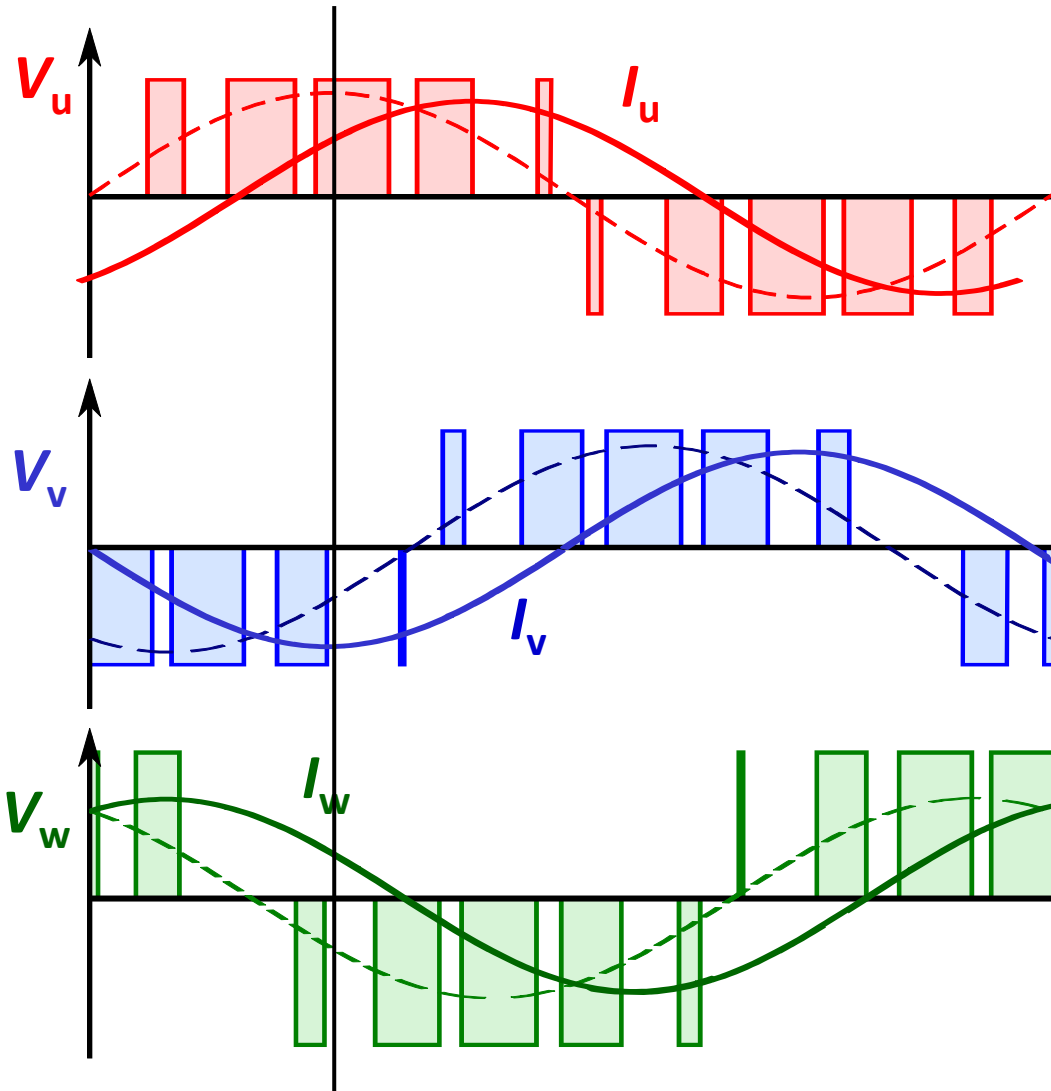
V_u	V_v	V_w
+	-	-
I_u	I_v	I_w
+	-	+

3-Phase Circuit with Inductive Load



V_u	V_v	V_w
+	-	-
I_u	I_v	I_w
+	-	+

3-Phase Circuit with Inductive Load



V_u	V_v	V_w
+	-	-
I_u	I_v	I_w
+	-	+