

To All Customers

Rep No. C17005

October 10, 2017

Fuji Electric FA Components &  
Systems Co., Ltd.

## Notification regarding the Production Discontinuation of AL-S Series Vertical Limit Switches (Products with Indicator Lamp, UL Standard Products)

We would like to thank you for your continued patronage of Fuji products.  
We are writing to announce the production discontinuation of some of our products.  
Details are described below.

Please review the following information and take appropriate actions.  
Please also inform all related sections of your company of this discontinuation.

Product name	Vertical limit switch																																																																																										
Series name	AL-S series (products with indicator lamp, UL Standard products)																																																																																										
Type	<table border="1"> <thead> <tr> <th colspan="2">Classification</th> <th rowspan="2">Products with indicator lamp</th> <th rowspan="2">UL Standard products</th> <th rowspan="2">Products with indicator lamp, UL Standard products</th> </tr> <tr> <th>Actuator name</th> <th>Contact construction</th> </tr> </thead> <tbody> <tr> <td>Roller lever type</td> <td>Snap action</td> <td>AL-SN11□□</td> <td>AL-SN11UL</td> <td>AL-SN11□□UL</td> </tr> <tr> <td>Roller adjustment lever type</td> <td>Snap action</td> <td>AL-SN21□□</td> <td>AL-SN21UL</td> <td>AL-SN21□□UL</td> </tr> <tr> <td rowspan="2">Rubber roller adjustment lever type</td> <td>Snap action</td> <td>AL-SN51□□</td> <td></td> <td></td> </tr> <tr> <td>Slow action Overlap action</td> <td>AL-SN52□□ AL-SN53□□</td> <td></td> <td></td> </tr> <tr> <td>Rod lever type</td> <td>Snap action</td> <td>AL-SN31□□</td> <td>AL-SN31UL</td> <td>AL-SN31□□UL</td> </tr> <tr> <td rowspan="2">Push plunger type</td> <td>Snap action</td> <td>AL-SP11□□</td> <td>AL-SP11UL</td> <td>AL-SP11□□UL</td> </tr> <tr> <td>Slow action Overlap action</td> <td>AL-SP12□□ AL-SP13□□</td> <td></td> <td></td> </tr> <tr> <td rowspan="2">Roller plunger type</td> <td>Snap action</td> <td>AL-SP21□□</td> <td>AL-SP21UL</td> <td>AL-SP21□□UL</td> </tr> <tr> <td>Slow action Overlap action</td> <td>AL-SP22□□ AL-SP23□□</td> <td></td> <td></td> </tr> <tr> <td rowspan="2">Roller arm type</td> <td>Snap action</td> <td>AL-SK11□□</td> <td>AL-SK11UL</td> <td>AL-SK11□□UL</td> </tr> <tr> <td>Slow action Overlap action</td> <td>AL-SK12□□ AL-SK13□□</td> <td></td> <td></td> </tr> <tr> <td rowspan="2">Reverse roller arm type</td> <td>Snap action</td> <td>AL-SK21□□</td> <td>AL-SK21UL</td> <td>AL-SK21□□UL</td> </tr> <tr> <td>Slow action Overlap action</td> <td>AL-SK22□□ AL-SK23□□</td> <td></td> <td></td> </tr> <tr> <td>Spring rod type</td> <td>Snap action</td> <td>AL-SS11□□</td> <td>AL-SS11UL</td> <td>AL-SS11□□UL</td> </tr> </tbody> </table> <p style="text-align: right; margin-right: 20px;">* □□ is replaced by symbol indicating lamp voltage and construction.</p> <table border="1" style="margin-left: auto; margin-right: 0;"> <thead> <tr> <th>Symbol</th> <th>Voltage</th> <th>Construction</th> </tr> </thead> <tbody> <tr> <td>A2</td> <td>5 - 8 V DC</td> <td>LED</td> </tr> <tr> <td>B2</td> <td>10 - 15 V DC</td> <td>LED</td> </tr> <tr> <td>E2</td> <td>18 - 24 V DC</td> <td>LED</td> </tr> <tr> <td>H1</td> <td>110 - 220 V AC</td> <td>Neon lamp</td> </tr> </tbody> </table> <p>[Lamp cover (part)] ALX-507A, ALX-507B, ALX-507E, ALX-507H, ALX-508A, ALX-508B, ALX-508E, ALX-508H</p>				Classification		Products with indicator lamp	UL Standard products	Products with indicator lamp, UL Standard products	Actuator name	Contact construction	Roller lever type	Snap action	AL-SN11□□	AL-SN11UL	AL-SN11□□UL	Roller adjustment lever type	Snap action	AL-SN21□□	AL-SN21UL	AL-SN21□□UL	Rubber roller adjustment lever type	Snap action	AL-SN51□□			Slow action Overlap action	AL-SN52□□ AL-SN53□□			Rod lever type	Snap action	AL-SN31□□	AL-SN31UL	AL-SN31□□UL	Push plunger type	Snap action	AL-SP11□□	AL-SP11UL	AL-SP11□□UL	Slow action Overlap action	AL-SP12□□ AL-SP13□□			Roller plunger type	Snap action	AL-SP21□□	AL-SP21UL	AL-SP21□□UL	Slow action Overlap action	AL-SP22□□ AL-SP23□□			Roller arm type	Snap action	AL-SK11□□	AL-SK11UL	AL-SK11□□UL	Slow action Overlap action	AL-SK12□□ AL-SK13□□			Reverse roller arm type	Snap action	AL-SK21□□	AL-SK21UL	AL-SK21□□UL	Slow action Overlap action	AL-SK22□□ AL-SK23□□			Spring rod type	Snap action	AL-SS11□□	AL-SS11UL	AL-SS11□□UL	Symbol	Voltage	Construction	A2	5 - 8 V DC	LED	B2	10 - 15 V DC	LED	E2	18 - 24 V DC	LED	H1	110 - 220 V AC	Neon lamp
Classification		Products with indicator lamp	UL Standard products	Products with indicator lamp, UL Standard products																																																																																							
Actuator name	Contact construction																																																																																										
Roller lever type	Snap action	AL-SN11□□	AL-SN11UL	AL-SN11□□UL																																																																																							
Roller adjustment lever type	Snap action	AL-SN21□□	AL-SN21UL	AL-SN21□□UL																																																																																							
Rubber roller adjustment lever type	Snap action	AL-SN51□□																																																																																									
	Slow action Overlap action	AL-SN52□□ AL-SN53□□																																																																																									
Rod lever type	Snap action	AL-SN31□□	AL-SN31UL	AL-SN31□□UL																																																																																							
Push plunger type	Snap action	AL-SP11□□	AL-SP11UL	AL-SP11□□UL																																																																																							
	Slow action Overlap action	AL-SP12□□ AL-SP13□□																																																																																									
Roller plunger type	Snap action	AL-SP21□□	AL-SP21UL	AL-SP21□□UL																																																																																							
	Slow action Overlap action	AL-SP22□□ AL-SP23□□																																																																																									
Roller arm type	Snap action	AL-SK11□□	AL-SK11UL	AL-SK11□□UL																																																																																							
	Slow action Overlap action	AL-SK12□□ AL-SK13□□																																																																																									
Reverse roller arm type	Snap action	AL-SK21□□	AL-SK21UL	AL-SK21□□UL																																																																																							
	Slow action Overlap action	AL-SK22□□ AL-SK23□□																																																																																									
Spring rod type	Snap action	AL-SS11□□	AL-SS11UL	AL-SS11□□UL																																																																																							
Symbol	Voltage	Construction																																																																																									
A2	5 - 8 V DC	LED																																																																																									
B2	10 - 15 V DC	LED																																																																																									
E2	18 - 24 V DC	LED																																																																																									
H1	110 - 220 V AC	Neon lamp																																																																																									
Reason for discontinuation of production	Maintenance of rational and stable supply has become difficult due to a drop in demand.																																																																																										
Replacement models	There are no alternative Fuji products available. Please consider using an equivalent product from another company (see attachments).																																																																																										
Period for production discontinuation	End of October 2018																																																																																										
Attachment	Comparison of Other Companies' Products																																																																																										
Last order date	End of July 2018																																																																																										
Maintenance parts	There are no maintenance parts.																																																																																										
Others																																																																																											

Attachment

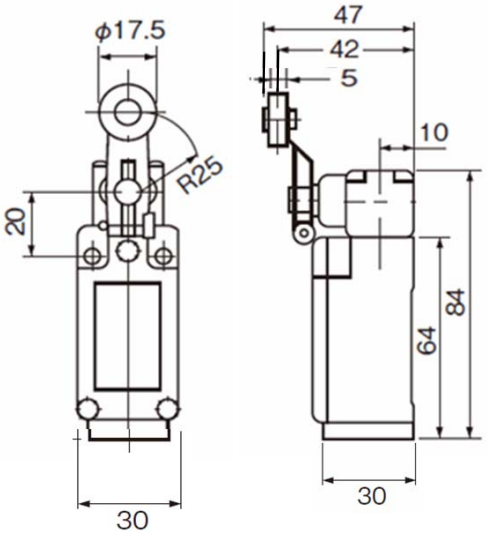
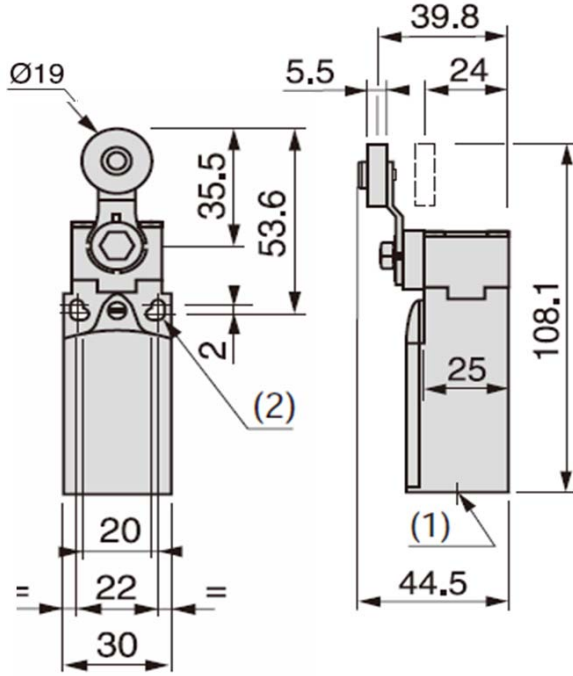
Comparison of Schneider Products

■ Vertical limit switch (UL Standard products) Comparison with typical type

Rep No. C17005

October 10, 2017

Fuji Electric FA Components &  
Systems Co., Ltd.

	Discontinued product Typical type: AL-SN11UL	Equivalent Schneider product XCKN2118G11
External drawing		
Operating temperature range	-10 to 80°C	-25 to 70°C
Protective construction	IP67	IP65
Roller material	Stainless steel	Plastic
Lead lead-out shape	G1/2	Pg11

\* Refer to Schneider catalogs for details on other models.

Attachment

Comparison of Other Companies' Products



■ Vertical limit switch (products with indicator lamp) Comparison with typical type

Rep No. C17005a

October 10, 2017

Fuji Electric FA Components & Systems Co., Ltd.

	Discontinued product Typical type: AL-SN11E1	Equivalent Panasonic product AZ810406	Equivalent OMRON product WLCA2-2LD-N
<b>External drawing</b>			
Operating temperature range	-10 to 80°C	-20 to 60°C	-10 to 80°C
Protective construction	IP67	IP64	IP67
Roller material	Stainless steel	Plastic	Stainless steel

\* Refer to Panasonic catalogs for details on other models.

\* Refer to OMRON catalogs for details on other models.