

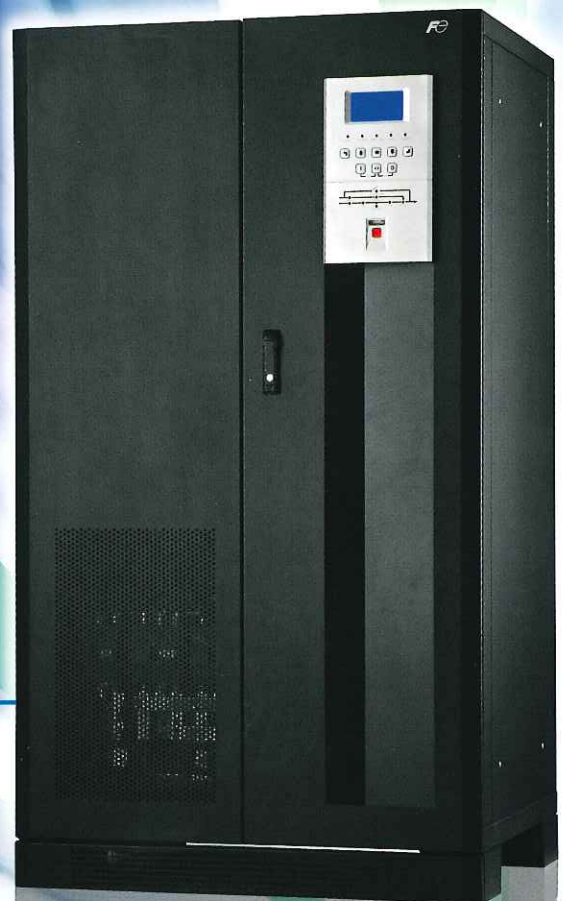
On-line UPS

Fuji Medium-capacity UPS

UPS5000CF Series

Three-phase 10 to 160kVA

UPS5000CF



High Performance and Wide Products Line UP

Fuji Medium-capacity UPS UPS5000CF Series

Model No. designation

UPS5000CF - T4 / □□□

- ① Fuji UPS series
② Three phase, 4 wire
③ Output capacity [kVA]

Main features

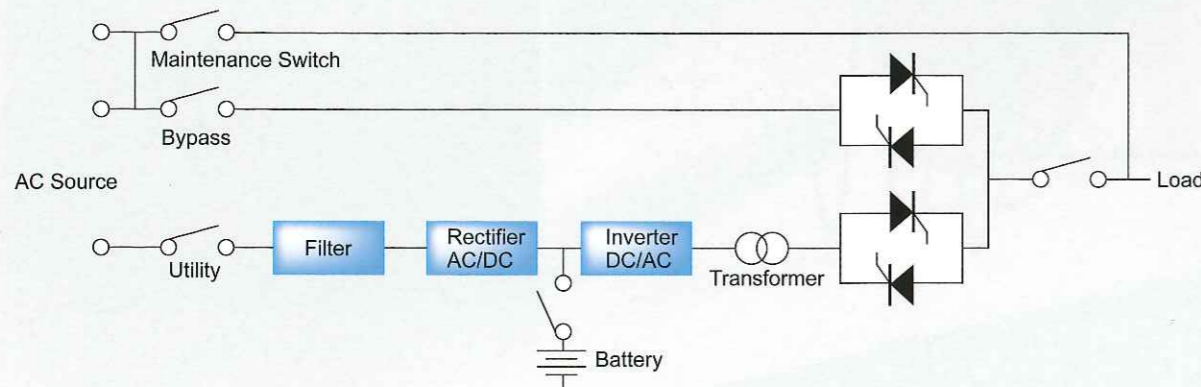
- Online double conversion
- IGBT inverter and output isolation transformer
- 3 phases UPS allow 100 % unbalance load
- Fully DSP control, high reliability and performance
- Wide input voltage range
- DC cold start function
- Advanced battery charging management
- Intelligent fan speed control
- ECO mode and EPO function
- Intelligent RS-232/RS-485 communication port
- 12 Pulse rectifier (optional)
- Bypass isolation transformer (optional)



Application

Computer room, Data center, Precision instrument, Intelligent equipment

Principle diagram



Specification

Series	UPS5000CF series									
Model	T4/10	T4/20	T4/30	T4/40	T4/50	T4/60	T4/80	T4/100	T4/120	T4/160
Input	Voltage(Vac)									
	380/400±20 %									
	Rectifier Frequency									
	40 to 65									
	SYNC Frequency Tracking									
50/60±5 % (±10 % optional)										
Output	Phase									
	3 φ 4w+PE									
	Capacity[kVA/kW]									
	10/8	20/16	30/24	40/32	50/40	60/48	80/64	100/80	120/96	160/128
	Phase									
3 φ 4w+PE										
Voltage(Vac)										
L-N: 220/230±1 %, L-L:380/400±1 %										
Frequency[Hz]										
50/60±0.5 % (battery mode)										
Waveform										
Pure sine wave, THD≤3 % (linear load)										
3 Phases 100 % Load Unbalance Voltage Stability										
≤2 %, allow 100 % unbalance										
Overload										
110 % load for 30 mins, 125 % load for 10 mins, 150 % load for 1 min.										
Battery	Voltage (Vdc)									
	12 V x 29=348									
	BATT Type									
	External									
Charger Current(A)Max										
10 to 40 A setting										
Battery Self-testing										
Automatically alarm and estimate battery status in battery abnormal status										
Other	Maintenance Bypass									
	Yes									
	Communication Interface									
	RS-232/RS-485 and dry contactor(MODBUS and SNMP adapter are optional)									
	Display									
	LCD Display indicates frequency, voltage, load, battery voltage, etc. LED indicates running status									
	Alarm									
	Overload, abnormal AC input, low battery, UPS failure									
	Protection									
	Low battery, overload, over temperature, short circuit, output over voltage, output low voltage									
Noise[dB]										
<65										
Working Temperature										
0 to 40 °C										
Relative Humidity										
0 to 95 %, No condensation										
Dimension(W x D x H)										
500 x 800 x 1180			800 x 800 x 1600			1000 x 800 x 1800				
Mass[kg]										
195	240	290	450	470	490	690	725	775	905	

Battery run time

Model	Backup time	Battery		Rack		Mass [kg]
		Capacitor/voltage	Q'ty	No.	Q'ty	
UPS5000CF-T4/10	30min	24AH/12V	29	B16	1	303
	60min	38AH/12V	29	B16	1	448
UPS5000CF-T4/20	15min	24AH/12V	29	B16	1	303
	20min	38AH/12V	29	B16	1	448
	40min	65AH/12V	29	B16	2	722
	60min	65AH/12V	29 x 2	B16	4	1444
UPS5000CF-T4/30	15min	38AH/12V	29	B16	1	448
	25min	65AH/12V	29	B16	2	722
	45min	100AH/12V	29	B16	2	1041
	60min	65AH/12V	29 x 2	B16	4	1444
UPS5000CF-T4/40	15min	65AH/12V	29	B16	2	722
	30min	100AH/12V	29	B16	2	1041
	40min	65AH/12V	29 x 2	B16	4	1444
UPS5000CF-T4/50	20min	100AH/12V	29	B16	2	1041
	60min	100AH/12V	29 x 2	B16	4	2082
UPS5000CF-T4/60	15min	100AH/12V	29	B16	2	1041
	25min	65AH/12V	29 x 2	B16	4	1444
	45min	100AH/12V	29 x 2	B16	4	2082
UPS5000CF-T4/80	15min	65AH/12V	29 x 2	B32	2	1496
	30min	100AH/12V	29 x 2	B32	2	2134
	45min	100AH/12V	29 x 3	B32	3	3201
	50min	100AH/12V	29 x 3	B32	3	3201

Model	Backup time	Battery		Rack		Mass [kg]
		Capacitor/voltage	Q'ty	No.	Q'ty	
UPS5000CF-T4/100	20min	100AH/12V	29 x 2	B32	2	2134
	40min	100AH/12V	29 x 3	B32	3	3201
	60min	100AH/12V	29 x 4	B32	4	4268
UPS5000CF-T4/120	18min	100AH/12V	29 x 2	B32	2	2134
	30min	100AH/12V	29 x 3	B32	3	3201
	45min	100AH/12V	29 x 4	B32	4	4268
	60min	100AH/12V	29 x 5	B32	5	5335
UPS5000CF-T4/160	12min	100AH/12V	29 x 2	B32	2	2134
	20min	100AH/12V	29 x 3	B32	3	3201
	30min	100AH/12V	29 x 4	B32	4	4268
	40min	100AH/12V	29 x 5	B32	5	5335

Battery rack

	Dimension(W x D x H)
B16	470 x 800 x 1177 mm
B32	1000 x 800 x 1600 mm

Fuji Sales Network

Fuji Electric Asia Pacific Pte. Ltd.

171, Chin Swee Rd., #12-01, San Centre, SINGAPORE 169877

TEL: +65-6533-0010

PT Fuji Electric Indonesia

Wisma Keiai, 17th Floor Jl. Jend. Sudirman Kav. 3, Jakarta 10220, INDONESIA

TEL: +62-21-572-4281

Fuji Electric Co., Ltd. Hanoi Representative office

204 Unit, 2nd Floor, Tung Shing Square, Ngo Quyen Street, Hoan Kiem Dist, Hanoi, VIETNAM

TEL: +84-4-3935-1593

Fuji Electric (Thailand) Co., Ltd.

889 Thai CC Tower, 11F, Room No. 114-6 South Sathorn Rd, Yannawa, Sathorn, Bangkok 10120, THAILAND

TEL: +66-2210-0615

Fuji Electric India Pvt. Ltd.

409 410, Meadows, Sahar Plaza, Andheri Kurla Road, J.B. Nagar, Andheri (E) Mumbai 400 059, INDIA

TEL: +91-22-4010-4870

Installation Conditions

- This unit is designed to be used indoors.
Do not install in a place exposed to direct sunlight, wind or rain.
- Avoid a dusty, hot and/or humid place.
- Our UPS is designed to work in a temperature range of 0 to +40°C.
However, we recommend that it be used at +25°C or lower to ensure stable operation over the entire life of the UPS.
- System multiplexing, installation of an emergency generator set, and special measures for operation, maintenance and control are required when the system is to be used for the following applications.
Contact us in such cases.
 - Medical equipment that directly affects human life
 - Equipment that may cause personal injury
 - Computer systems of social or public importance

©Even if a trouble occurs due to use of this product (hardware/software), Fuji Electric will not compensate for any damages whatsoever, including damages caused by an error or trouble of connected equipment and software, and other secondary damages.

*The product names and company names used in this catalog are trademarks or registered trademarks of the respective companies.

Printed on recycled paper

 Fuji Electric Asia Pacific Pte. Ltd.

171, Chin Swee Rd., #12-01, San Centre, SINGAPORE 169877
Phone : 65-6533-0010

 Fuji Electric Co., Ltd.

Gate City Ohsaki, East Tower, 11-2,
Osaki 1-chome, Shinagawa-ku, Tokyo 141-0032, Japan