

September 2007

Fuji Electric FA Components Systems Co., Ltd.
Control & Drive Systems Division

MICREX-SX Series SPH

Notice of production discontinuation in some models of FL-net (OPCN-2) and request for substitute replacement

We would like to thank you for your continued patronage of Fuji Programmable Controllers.

We would like to inform you of the preliminary notice of production discontinuation in some models of FL-net (OPCN-2) in MICREX-SX Series SPH and of the release of substitute models.

So we would like to ask you to replace the current FL-net devices targeted with substitute ones.

1. Product of sales to be discontinued

Name	Type	Time of production discontinuation	Substitute
FL-net (OPCN-2) module V1.0 10BASE5/10BASE-T	NP1L-FL1	March 31, 2008	NP1L-FL3 Z627 (Upgraded model)
FL-net (OPCN-2) module V2.0 10BASE5/10BASE-T	NP1L-FL2	March 31, 2008	NP1L-FL3 (Current model)
PCI Bus compliant FL-net (OPCN-2) V1.0 board 10BASE5/10BASE-T	NP3L-FL1PCS	March 31, 2008	NP3L-FL3PCS Z627 (New)
PCI Bus compliant FL-net (OPCN-2) V2.0 board 10BASE5/10BASE-T	NP3L-FL2PCS	March 31, 2008	NP3L-FL3PCS (New)

2. Reason of production discontinuation

Because of the supply stop by the manufacturer of the LAN controller dedicated to 10MBps.

Recently, because 100Mbps compliant Ethernet (LAN port) has become standard, as is typical with personal computers, each parts manufacturer has promoted the production discontinuation of 10Mbps exclusive-use parts, and we are in a difficult condition obtaining alternative parts.

3. Release of substitute

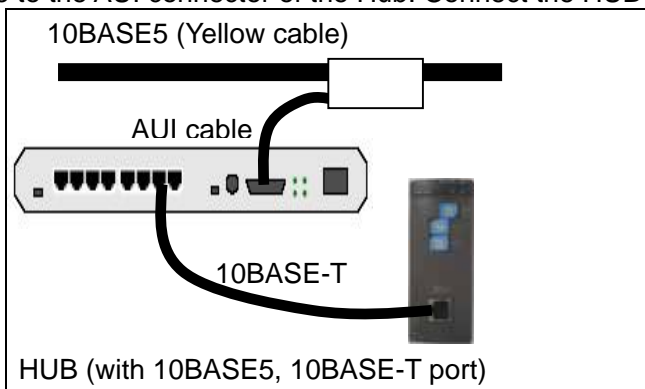
Name	Type	Release date
FL-net (OPCN-2) module V1.0 10BASE-T/100MBASE-TX	NP1L-FL3 Z627	October 1, 2007
FL-net (OPCN-2) module V2.0 10BASE-T/100MBASE-TX	NP1L-FL3	Already released (Current model)
PCI Bus compliant FL-net (OPCN-2) V1.0 board 10BASE-T/100MBASE-TX	NP3L-FL3PCS Z627	October 1, 2007
PCI Bus compliant FL-net (OPCN-2) V2.0 board 10BASE-T/100MBASE-TX	NP3L-FL3PCS	October 1, 2007

The price of substitute is the same as that of current model.

4. Compatibility with substitute

(1) 10BASE5 (AUI connector)

No compatibility available. Using commercially available Hub with AUI connector, connect the AUI cable to the AUI connector of the Hub. Connect the HUB to the substitute with 10BASE-T.



(2) Performance

When 10BASE-T has been used with NP1L-FL3, NP1L-FL3 can be used as it is.

Because NP1L-FL2 has application compatibility with NP1L-FL3, program change is unnecessary.

Be careful of power supply capacity because internal current consumption differs.

Item	Type to be production discontinued		Substitute	
	NP1L-FL2	NP1L-FL1	NP1L-FL3	NP1L-FL3 Z627
Transmission specification	10BASE5, 10BASE-T		10BASE-T, 100BASE-TX	
Transmission speed	10Mbps fixed		Auto select 10Mbps or 100Mbps	
FL-net protocol	V2.0	V1.0	V2.0	V1.0
Internal current consumption	24V DC, 105mA or less		24V DC, 160mA or less	

(3) PCI Bus compliant FL-net (OPCN-2) board

When you intend to substitute NP3L-FL3PCS for NP3L-FL1PCS or NP3L-FL2PCS, re-install the driver and DLL using the CD-ROM supplied with same packing.