

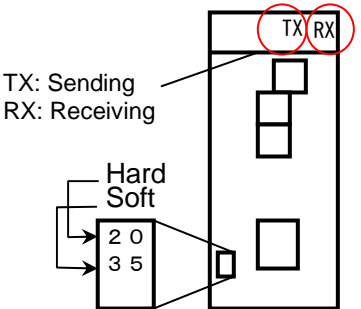
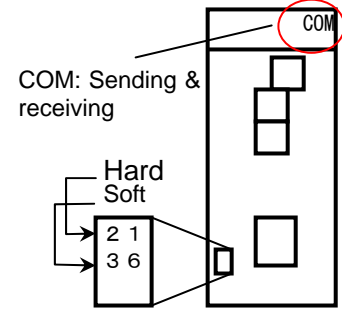
MICREX-SX Series SPH Notice of External View Change of FL-net Module

We would like to thank you for your continued patronage of Fuji Programmable Controllers.

We would like to inform you that Fuji Electric FA has changed an external view of FL-net (OPCN-2) module for MICREX-SX series SPH300.

There is no change in the function, the size according to this change.

1. Contents of change

Item	Type targeted	Before change	After change
Change of LED indication	FL-net (OPCN-2) module NP1L-FL3	FL-net data Sending : TX Receiving : RX 	FL-net data Sending & receiving : COM  Firmware also changed along with change of LED indication

Reason of change:

LED indication change to substitute one along with Ethernet control-use IC (Ethernet PHY) discontinuation

FL-net certification on new LED indication acquired

2. Caution with change

- (1) For the lots manufactured in December 2007 or later, the products have been changed. Shipment to new one will be changed automatically after current one becomes out of stock.
- (2) The price and type number are same as the conventional ones, remain unchanged.