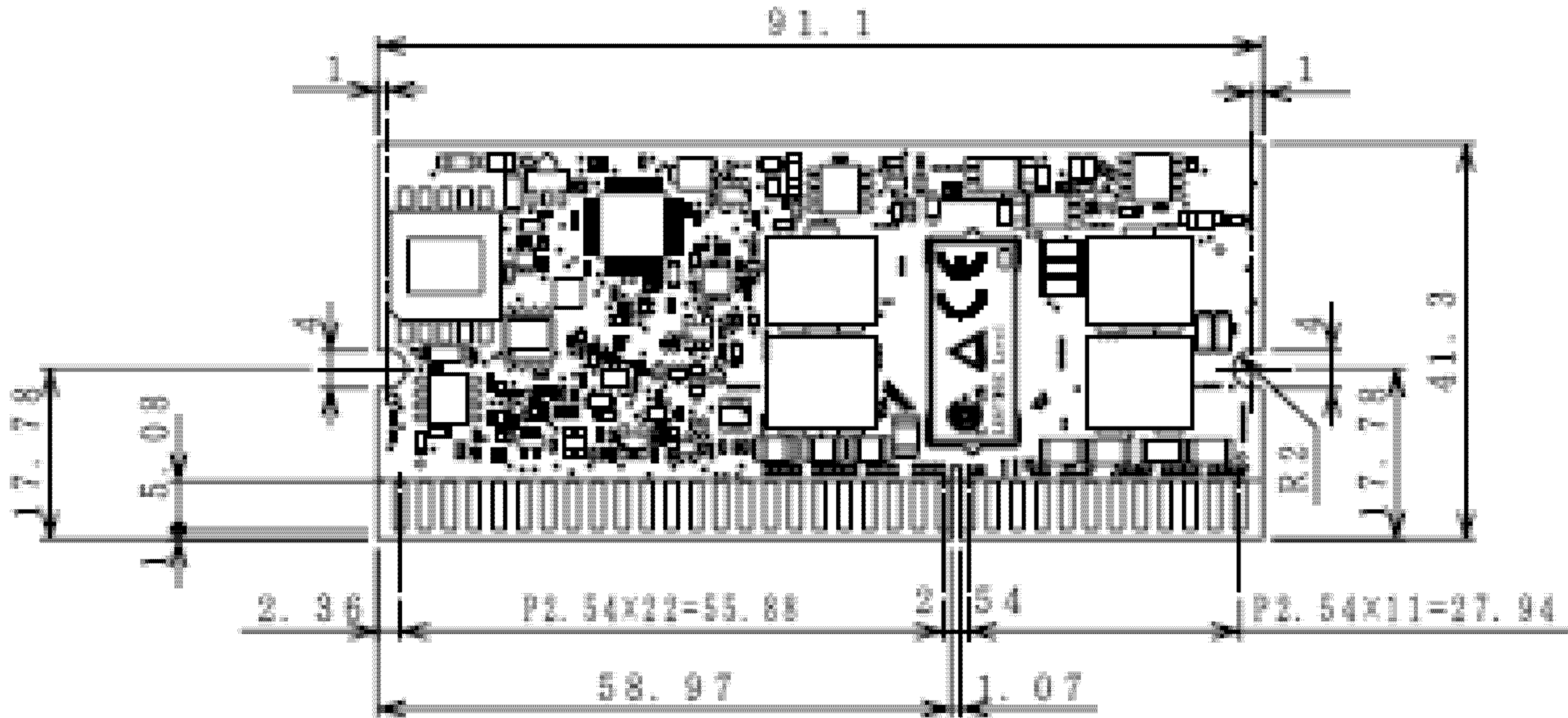


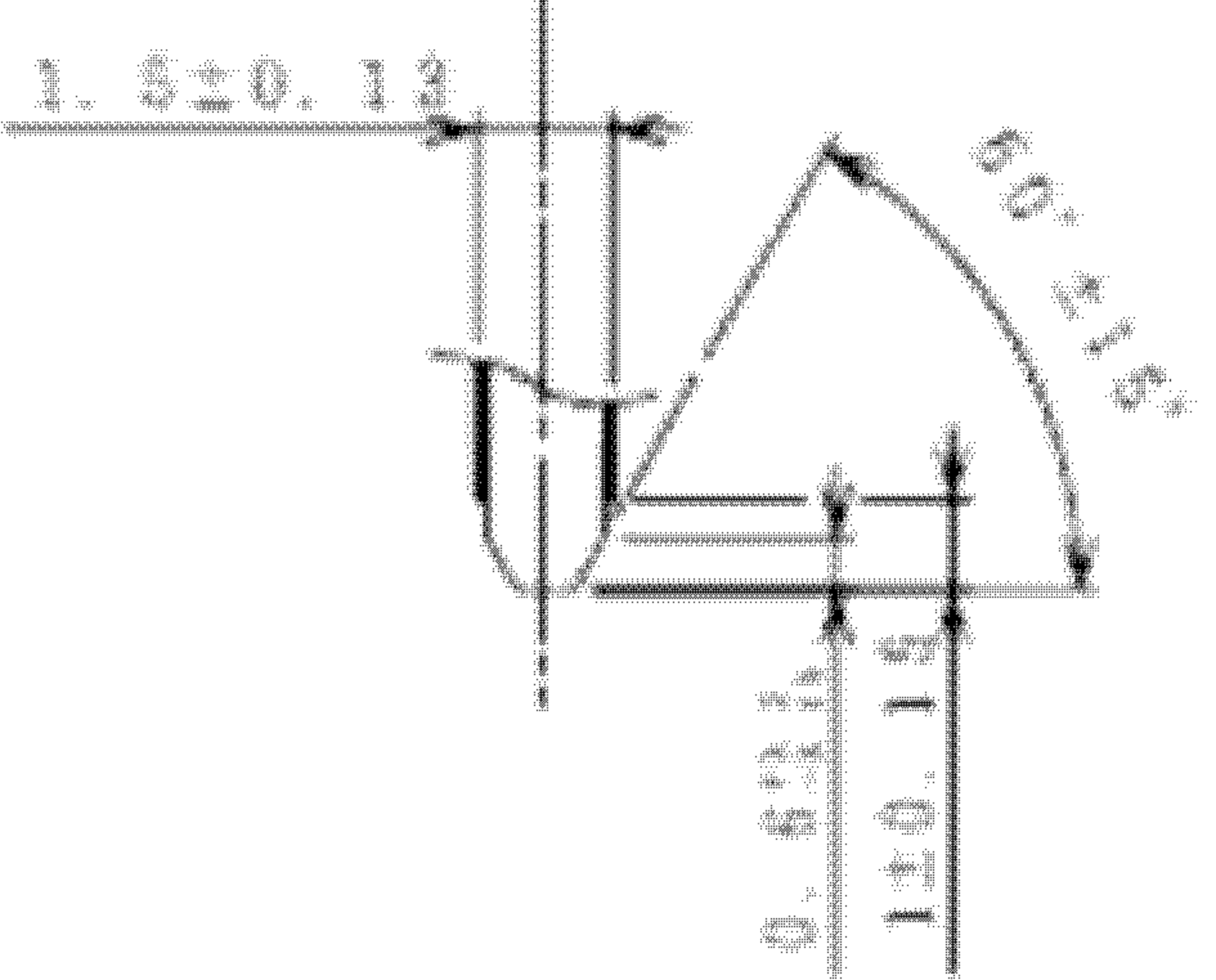
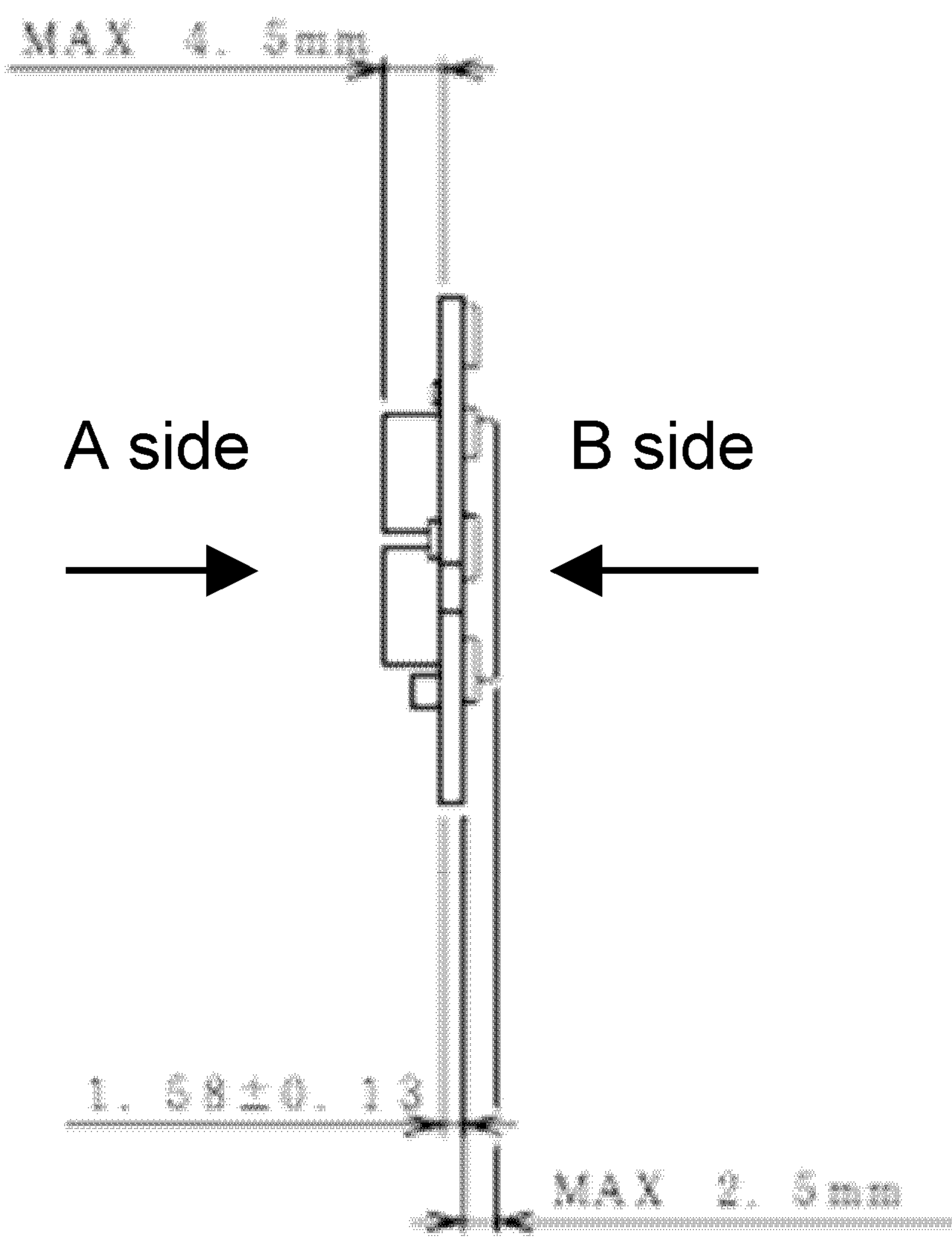
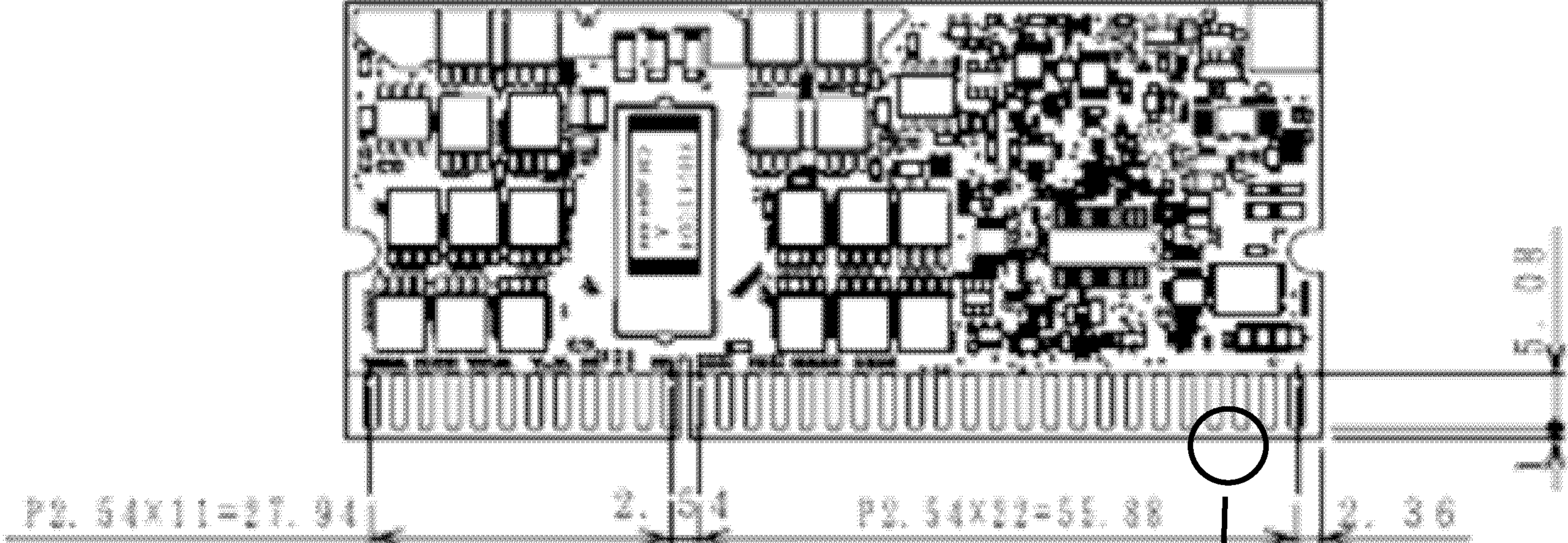
13.Mechanical Outline Drawing

A side



Two dimension bar code

B side



Cross section of point PAD substrate

This figure is an outline chart and the reduced scale etc. are inaccurate. The dimensional tolerance not described clearly is ±0.3mm

Unit : mm