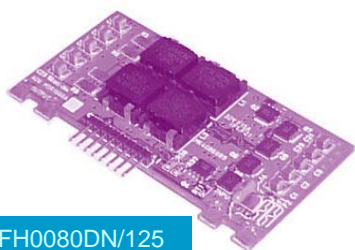


DC-DC Converter Module (Non-Isolated)

Model FH0080DN / FH0125DN / FH0180BD

Product Feature

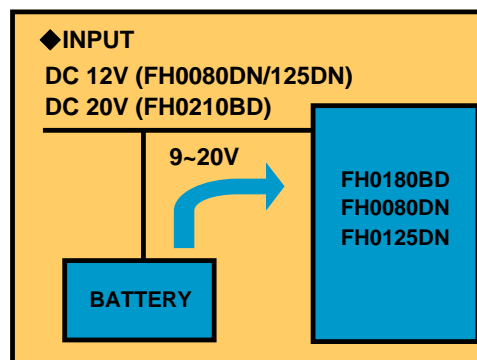
- ◆ Wide range input voltage (+9V to +20V)
- ◆ Boost & buck DC-DC converter /Over 94 % efficiency (FH0210BD)
- ◆ High density
- ◆ High reliability - no aluminum and tantalum electrolytic capacitors
- ◆ Built -in remote on/off
- ◆ Over voltage, over current & thermal protection



FH0080DN/125



FH0180B



Input Characteristics

Model name	FH0080DN	FH0125DN	FH0180BD
Input Voltage Range	DC12V (Nominal) / DC9V ~20V		DC20V (Norminal)
Input Current / @DC12V input, Full Load	7.7 A	11.0A	10.0A
Efficiency / @DC12V input, Full Load	90% typ.	94% typ.	94% typ.

Output Characteristics

Model name	FH0080DN	FH0125DN	FH0180BD
Output Configuration	+3.3V	+5.0V	+12.0V
Voltage Adjust Range	+15% / -15%		+15% / -15%
Output Current	Nominal	25A	15A
	Maximum	25A	15A
	Minimum	0A	0A
Static Voltage Regulation	10mV	10mV	10mV
Dynamic Voltage Regulation	+5% / -5%	+5% / -5%	+3% / -3%
Ripple & Noise	100 mVp-p	100 mVp-p	200 mVp-p
Current Limit Protection	115 - 140%	115 - 140%	115 - 140%
Over Voltage Protection	105 - 140%	105 - 140%	105 - 140%
Output Power	82.5W	125W	180W

Environmental

Operating Temperature	0°C to 50°C
Relative humidity	20 to 85% (Non-Condensing)
Cooling	Forced air 1m / sec

Physical Specifications

Dimensions	80.0 x 38.0 x 10.0mm	85.0 x 38.0 x 16.5mm
	3.15 x 1.61 x 0.39 "	3.35 x 1.61 x 0.65 "