

UL 489 Listed Molded Case Circuit Breakers, Earth Leakage Circuit Breakers

50A Frame ~ 800A Frame
Max Voltage 480V



The new FUJI UL489 Molded Case Circuit Breaker and Earth Leakage Circuit Breaker provides the ultimate in compact design, unprecedented value, and use anywhere in the world.



50A Frame

100A Frame

225A Frame

400A Frame

600/800A Frame



- MORE COMPACT (especially 50A Frame, 100A Frame, 225A Frame) than any breaker on the market, so control panels take up less space than ever before.
- PRICING among the lowest in the industry.
- Conformity to all WORLDWIDE STANDARDS, including UL / cUL / IEC / CE Marking / JIS.



Fuji's MCCB, ELCB gives you the features and flexibility you need:

- 1) Suitable for branch circuit protection.
- 2) Rated current of 3-800A, Max 480V.
- 3) Standard type and High type interrupting capacities available in identically sized breakers.
- 4) Shunt trip (F), Under voltage release (R) and other accessories available.
- 5) Field installable in Screw, Flat, or Lug terminal constructions.
- 6) Auxiliary switch, Alarm switch, Shunt trip and Under voltage release can be installed in the field. (SA52/53RCUL, EA102/103CUL, SG53RCUL, EG102/103CUL only)
- 7) Choose Breaker-Mounted (N type) or Panel Door-Mounted (V type) operating handles.


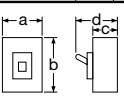


Table of Contents

	Page
Specifications	3
Part Number	7
Characteristic Curves	9
Dimensions	11
Internal Accessories	17
External Accessories	21
Operating Handles	22
Wiring, Wire Sizes and Tightening Torque	24
List Price	26
Terms & Conditions	29

Molded Case Circuit Breakers - EA-UL, SA-UL Series

■ Specifications

Frame size (A)		50		100			
Type		SA52RCUL	SA53RCUL	EA102CUL	EA103CUL		
Appearance (with Screw Terminals, 3 pole)							
Rated insulation voltage (V) (IEC60947-2)		AC 690	690				
Rated voltage (V) (UL489)		AC 240	240				
Rated current (A)		3,5,10,15,20,30,40,50		60,75,100			
Poles		2	3	2	3		
Rated frequency (Hz)		50/60		50/60			
Rated interrupting capacity sym (kA)	UL489 CSA22-2	AC	480V	-	-	-	-
			480Y/277V	-	-	-	-
			240V	14	14	14	14
	IEC60947-2 [Icu/Ics]	AC	690V	-	-	-	-
			600V	5/3	5/3	5/3	5/3
			500V	7.5/4	7.5/4	7.5/4	7.5/4
			440V	10/5	10/5	10/5	10/5
			400V	10/5	10/5	10/5	10/5
	JIS C 8370	AC	550V	7.5	7.5	7.5	7.5
			460V	10	10	10	10
220V			25	25	25	25	
Dimensions (mm) with short terminal cover			a	50	75	50	75
			b	120	120	120	120
			c	60	60	60	60
			d	84	84	84	84
Terminal construction	Screw Terminals		NONE	● (See page 11)	● (See page 11)	● (See page 11)	
	Flat Terminals		L1	● (See page 11)	● (See page 11)	● (See page 11)	
	Lug Terminals		L	-	-	-	
Internal accessories	Auxiliary switch		*3	W	*6	*6	
	Alarm switch		*3	K	*6	*6	
	Shunt trip			F	*6	*6	
	Undervoltage trip			R	*6	*6	
	Accessories with terminal block*1			A	*6	*6	
External accessories	Handle locking key	Cap type	Q1	*2	*2	*2	
				BZ6L10C	BZ6L10C	BZ6L10C	
	External Operating Handle		V	BZ6V10C	BZ6V10C	BZ6V10C	
			N	BZ6N10C	BZ6N10C	BZ6N10C	
	Field Installable Terminal Kit	Flat Terminal Kit		BZ-SU20B	BZ-SU20B	BZ-SU25B	
		Lug Terminal Kit		-	-	-	
	Terminal Covers	For Screw Terminals	Short	BZ6TS10C2U *5	BZ6TS10C3U *5	BZ6TS10C2U *5	BZ6TS10C3U *5
			Long	BZ6TB10C2U *5	BZ6TB10C3U *5	BZ6TB10C2U *5	BZ6TB10C3U *5
		For Flat Terminals			-	-	-
For Lug Terminals			-	-	-		
Insulation Barrier			BZ6B10C *4	BZ6B10C *4	BZ6B10C *4		
Mass (kg) (Screw Terminals)		0.4	0.5	0.4	0.6		

Notes: *1 All internal accessories will be supplied with terminal block when specify "A" in the accessories part number. When ordered with undervoltage trip for 50A Frame and 100A Frame, the undervoltage trip with terminal block will be supplied as a standard. (see page 17, 18)

*2 Order the Handle Lock Cover (BZ6L10C) separately if a handle lock key (cap type Q1) is required for 100A Frame or smaller Breakers.

*3 Auxiliary switches (WD) and alarm switches (KD) for small currents are available. DPDT auxiliary switches (W2) and DPDT alarm switches (K2) are available.

*4 Insulation Barriers are required for only flat terminal type.



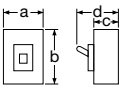
*5 Terminal covers are supplied with a breaker as a standard. If required "Long Terminal cover", please specify "TB" in the part number. (see page 7)

*6 These internal accessories can be installed in the field. (see page 17, 18 for part number)

●: Available. -: Not available.

Molded Case Circuit Breakers - SA-UL Series

■ Specifications

Frame size (A)		100				225				
Type		SA102BAUL	SA103BAUL	SA102RAUL	SA103RAUL	SA202BAUL	SA203BAUL	SA202RAUL	SA203RAUL	
Appearance (with Screw Terminals)										
Rated insulation voltage (V) (IEC60947-2)		AC 690		690		690		690		
Rated voltage (V) (UL489)		AC 240		480Y/277		240		240, 480Y/277		
Rated current (A)		15,20,30,40,50,60,70,75,80,90,100		15,20,30,40,50,60,70,75,80,90,100		125,150,175,200,225		125,150,175,200,225		
Poles		2, 3		2, 3		2, 3		2, 3		
Rated frequency (Hz)		50/60		50/60		50/60		50/60		
Rated interrupting capacity sym (kA)	UL489 CSA22-2	AC	480V	-	-	-	-	-	-	
			480Y/277V	-	-	25	25	-	25	
			240V	35	35	85	85	35	35	85
	IEC60947-2 [Icu/Ics]	AC	690V	-	-	5/3	-	-	-	5/3
			600V	10/5	-	25/13	-	15/8	-	25/13
			500V	15/8	-	35/18	-	18/9	-	35/18
			440V	25/13	-	50/25	-	25/13	-	50/25
			400V	30/15	-	50/25	-	30/15	-	50/25
			230V	50/25	-	100/50	-	50/25	-	100/50
			DC	250V	15/8	-	40/20	-	20/10	-
	JIS C 8370	AC	550V	15	-	35	-	18	-	35
			460V	25	-	50	-	25	-	50
220V			50	-	100	-	50	-	100	
DC			250V	15	-	40	-	20	-	40
Dimensions (mm)			a	90	90	105	105	105	105	
			b	155	155	165	165	165	165	
			c	60	60	60	60	60	60	
			d	82	82	84	84	84	84	
Terminal construction	Screw Terminals		NONE	● (See page 12)	● (See page 12)	● (See page 13)	● (See page 13)	● (See page 13)	● (See page 13)	
	Flat Terminals		L1	● (See page 12)	● (See page 12)	● (See page 13)	● (See page 13)	● (See page 13)	● (See page 13)	
	Lug Terminals		L	● (See page 12)	● (See page 12)	● (See page 13)	● (See page 13)	● (See page 13)	● (See page 13)	
Internal accessories	Auxiliary switch *3		W	●	●	●	●	●	●	
	Alarm switch *3		K	●	●	●	●	●	●	
	Shunt trip		F	●	●	●	●	●	●	
	Undervoltage trip		R	●	●	●	●	●	●	
	Accessories with terminal block*1		A	●	●	●	●	●	●	
External accessories	Handle locking key	Cap type	Q1	*2 BZ-L30C	*2 BZ-L30C	*2 BZ-L40C	*2 BZ-L40C	*2 BZ-L40C	*2 BZ-L40C	
			V	BZ-V30C-EUL	BZ-V30C-EUL	BZ-V40C-EUL	BZ-V40C-EUL			
	External Operating Handle	N	BZ-N30C	BZ-N30C	BZ-N40C	BZ-N40C				
		Field Installable	Flat Terminal Kit	BZ-SU35B	BZ-SU35B	BZ-SU50B	BZ-SU50B			
	Terminal Kit	Lug Terminal Kit	BZ-TA100	BZ-TA100	BZ-TA225	BZ-TA225				
		Terminal Covers	For Screw Terminals	Short	BZ-TS30B-3	BZ-TS30B-3	BZ-TS40B	BZ-TS40B		
	Long			BZ-TB30B-3	BZ-TB30B-3	BZ-TB40B	BZ-TB40B			
	For Flat Terminals		BZ-TL30B-3	BZ-TL30B-3	BZ-TL40B	BZ-TL40B				
			For Lug Terminals	BZ-TB30B-3	BZ-TB30B-3	BZ-TB40B	BZ-TB40B			
	Insulation Barrier		BZ-B30B	BZ-B30B	BZ-B40B	BZ-B40B				
Mass (kg) (Screw Terminals)		1.1	1.2	1.1	1.2	1.1	1.3	1.1	1.3	

Notes: *1 All internal accessories will be supplied with terminal block when specify "A" at the end of the part number. When ordered with undervoltage trip for 100A Frame and 225A Frame, the undervoltage trip with terminal block will be supplied as a standard.



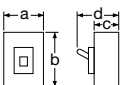
*2 Order the Handle Lock Cover (BZ-L□C) separately if a handle lock key (cap type Q1) is required for 225A Frame or smaller Breakers.

*3 Auxiliary switches (WD) and alarm switches (KD) for small currents are available. DPDT auxiliary switches (W2) and DPDT alarm switches (K2) are available.

●: Available. -: Not available.

Molded Case Circuit Breakers - SA-UL Series

■ Specifications

Frame Size (A)		400				600		800				
Type		SA402BUL	SA403BUL	SA402RUL	SA403RUL	SA603RUL	SA803RUL					
Appearance (with Flat Terminals)												
Rated insulation voltage (V) (IEC60947-2)		AC	690		690		690					
Rated voltage (V) (UL489)		AC	480		480		480					
Rated current (A)		250, 300, 350, 400		250, 300, 350, 400		500, 600		700, 800				
Poles		2 3		2 3		3		3				
Rated frequency (Hz)		50/60		50/60		50/60		50/60				
Rated interrupting capacity sym (kA)	UL489 CSA22-2	AC	480V	25	25	50	50	50	50			
			480Y/277V	25	25	50	50	50	50			
			240V	42	42	85	85	85	85			
	IEC60947-2 [Icu/Ics]	AC	690V	-		-		-		-		
			600V	-		30/15		30/15		30/15		
			500V	22/11		35/18		35/18		35/18		
			440V	35/18		50/25		50/25		50/25		
			400V	35/18		50/25		50/25		50/25		
			230V	50/25		85/43		85/43		85/43		
	JIS C 8370	DC	250V	20		40/20		40/20		40/20		
			AC	550V	22		35		35		35	
				460V	35		50		50		50	
220V				50		85		85		85		
	DC	250V	20		40		40		40			
Dimensions (mm)				a	140	140	210	210				
				b	257	257	275	275				
				c	103	103	103	103				
				d	146	146	146	146				
Terminal construction	Flat Terminals	L1	● (See page 14)		● (See page 14)		● (See page 14)		● (See page 14)			
	Lug Terminals	L	● (See page 14)		● (See page 14)		● (See page 15)		● (See page 15)			
Internal accessories	Auxiliary switch *2	W	●		●		●		●			
	Alarm switch *2	K	●		●		●		●			
	Shunt trip	F	●		●		●		●			
	Undervoltage trip	R	●		●		●		●			
	Accessories with terminal block*1	A	●		●		●		●			
External accessories	Handle locking key Cap type	Q1	●		●		●		●			
		V	BZ-V60C-EUL	BZ-V60C-EUL		BZ-V70C-E		BZ-V70C-E				
	External Operating Handle	N	BZ-N60C	BZ-N60C		BZ-N70C		BZ-N70C				
		Field Installable Terminal Kit	Flat Terminal kit	BZ-SU60B	BZ-SU60B		BZ-SU70B-600		BZ-SU70B-800			
	Lug Terminal kit		BZ-TA350 (up to 350A) BZ-TA400 (400A)	BZ-TA350 (up to 350A) BZ-TA400 (400A)		BZ-TA600		BZ-TA700 (700A) BZ-TA800 (800A)				
	Terminal Covers	For Flat Terminals	BZ-TB60B	BZ-TB60B		BZ-TB70B		BZ-TB70B				
		For Lug Terminals	BZ-TB60B	BZ-TB60B		Comes with a breaker		Comes with a breaker				
Insulation Barrier		B-43A	B-43A		B-43A		B-43A					
Mass (kg) (Flat Terminals)		4.5	5	4.5	5	9	10					




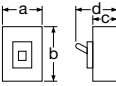
Notes: *1 All internal accessories will be supplied with terminal block when specify "A" at the end of the part number.

*2 Auxiliary switches (WD) and alarm switches (KD) are available for small currents. DPDT auxiliary switches (W2) and DPDT alarm switches (K2) are available.

●: Available. -: Not available.

Earth Leakage Circuit Breakers - EG-UL, SG-UL Series

■ Specifications

Frame size (A)		50		100		225		
Type		SG53RCUL		EG102CUL	EG103CUL	SG103BAUL	SG203BAUL	
Appearance (with Screw Terminals)								
Rated insulation voltage (V) (IEC60947-2)		AC	440	240	440	440	440	
Rated voltage (V) (UL489)		AC	240	240		240	240	
Rated current (A)		3,5,10,15,20,30,40,50		60,75,100		32,40,50,60,75,100		
Rated Sensitive Current (mA)		30,100/200/500		30,100/200	30,100/200/500	30,100/200/500		
Poles		3		2	3	3		
Rated frequency (Hz)		50/60		50/60		50/60		
Rated interrupting capacity sym (kA)	UL489 CSA22-2	AC	480V	–	–	–	–	
			480Y/277V	–	–	–	–	
			240V	14	14	14	35	35
	IEC60947-2 [Icu/Ics]	AC	440V	10/5	–	10/5	25/7	25/7
			230V	25/13	10/5	25/13	50/13	50/13
			100V	25/13	10/5	25/13	50/13	50/13
JIS C 8371	AC	415V	10	–	10	25	25	
		200V	25	10	25	50	50	
		100V	25	10	25	50	50	
Dimensions (mm)				a	75	75	90	105
				b	120 *6	120 *6	155	165
				c	60	60	60	60
				d	84	84	82	84
Terminal construction	Screw Terminals		NONE	● (See page 11)	● (See page 11)	● (See page 12)	● (See page 13)	
	Flat Terminals		L1	● (See page 11)	● (See page 11)	–	–	
	Lug Terminals		L	–	–	–	–	
Internal accessories	Auxiliary switch *3		W	*7	*7	●	●	
	Alarm switch *3		K	*7	*7	●	●	
	Shunt trip		F	*7	*7	–	–	
	Undervoltage trip		R	*7	*7	–	–	
	Accessories with terminal block*1		A	*7	*7	●	●	
External accessories	Handle locking key	Cap type	Q1	*2	*2	*2	*2	
				BZ6L10C	BZ6L10C	BZ-L30C	BZ-L40C	
	External Operating Handle		V	BZ6V10C	BZ6V10C	BZ-V30C-EUL	BZ-V40C-EUL	
			N	BZ6N10C	BZ6N10C	BZ-N30C	BZ-N40C	
	Field Installable Terminal Kit	Flat Terminal Kit		BZ-SU20B	BZ-SU25B	–	–	
		Lug Terminal Kit		–	–	–	–	
	Terminal Covers	For Screw Terminals	Short	BZ6TS10C3U *5	BZ6TS10C3U *5	BZ-TS30B-3	BZ-TS40B	
			Long	BZ6TB10C3U *5	BZ6TB10C3U *5	BZ-TB30B-3	BZ-TB40B	
		For Flat Terminals		–	–	–	–	
			For Lug Terminals		–	–	–	–
Insulation Barrier			BZ6B10C *4	BZ6B10C *4	BZ-B30B	BZ-B40B		
Mass (kg) (Screw Terminals)		0.6		0.6	0.6	1.5	1.5	

Notes: *1 All internal accessories will be supplied with terminal block when specify "A" in the part number. When ordered shunt trip or undervoltage trip for SG53RCUL, EG102/103CUL, the shunt trip or the undervoltage trip with terminal block will be supplied as a standard. (see page 17, 18)

*2 Order the Handle Lock Cover (BZ6L10C or BZ-L□C) separately if a handle lock key (cap type Q1) is required for 225A Frame or smaller Breakers.

*3 Auxiliary switches (WD) and alarm switches (KD) for small currents are available. DPDT auxiliary switches (W2) and DPDT alarm switches (K2) are available.

*4 Insulation Barriers are required for only flat terminal type. (SG53RCUL, EG102/103CUL)

*5 Terminal covers are supplied with a breaker as a standard. If required "Long Terminal cover", please specify "TB" in the part number. (see page 8)

*6 with short terminal cover

*7 These internal accessories can be installed in the field. (see page 17, 18 for part number)

●: Available. –: Not available.

Molded Case Circuit Breakers - EA-UL, SA-UL Series

■ Part Number

Internal accessory

SA103BAUL / 100 L1 Q1 W K F 8 TB A

Product category

Rated current (A)

Terminal structure

Name	Code
Screw terminal	None *1
Flat terminal	L1
Lug terminal	L *2

Note *1: Screw terminal is not available on 400A Frame or greater.

Note *2: Lug terminal is not available on SA52/53RCUL, EA102/103CUL.

Handle locking key

Name	Code
Handle locking key	Cap type Q1 *3

Note *3: Cap type (Q1) is applicable to 400-800A Frame.

For 225A Frame or smaller, order the Handle Lock

Cover (BZ6L10C or BZ-L□C) separately. (see page 21)

Auxiliary switch (except SA52/53RCUL, EA102/103CUL) *7

Name	Code
Standard (SPDT)	Lead wire *4 W
Double (DPDT)	W2
For small current (SPDT)	WD
For small current (DPDT)	WD2

Note *4: if required Terminal block style, specify "A" at the end of the part number

Alarm switch (except SA52/53RCUL, EA102/103CUL) *7

Name	Code
Standard (SPDT)	Lead wire *4 K
Double (DPDT)	K2
For small current (SPDT)	KD
For small current (DPDT)	KD2

Note *4: if required Terminal block style, specify "A" at the end of the part number

Accessories with terminal block (SA100A Frame or greater)

Note *4: if required Terminal block style, specify "A" at the end of the part number

Note *6: To order undervoltage trip for 100A and 225A Frame, specify "A".

with terminal cover (SA52/53RCUL, EA102/103CUL only)

Note *5: For other Frame size, order terminal covers separately. (see page 21)

Name	Code
Short	None
Long	TB

Internal accessory operating voltage

(except SA52/53RCUL, EA102/103CUL) *7

(Shunt trip (F)/Undervoltage trip (R))

SA100A, 225A Frame				400A, 600A, 800A Frame			
Operating voltage	F	R	Code	Operating voltage	F	R	Code
24V AC	<input type="radio"/>	<input type="radio"/>	8	24V AC	<input type="radio"/>	<input type="radio"/>	8
48V AC	<input type="radio"/>	<input type="radio"/>	7	24 to 48V AC	<input type="radio"/>	<input type="radio"/>	V
100 to 110V AC	<input type="radio"/>	<input type="radio"/>	K	48V AC	<input type="radio"/>	<input type="radio"/>	7
100 to 125V AC	<input type="radio"/>	<input type="radio"/>	T	100 to 110V AC	<input type="radio"/>	<input type="radio"/>	K
200 to 220V AC	<input type="radio"/>	<input type="radio"/>	Y	100 to 240V AC	<input type="radio"/>	<input type="radio"/>	W
200 to 240V AC	<input type="radio"/>	<input type="radio"/>	U	380 to 550V AC	<input type="radio"/>	<input type="radio"/>	F
240V AC	<input type="radio"/>	<input type="radio"/>	2	200 to 240V AC	<input type="radio"/>	<input type="radio"/>	U
24V DC	<input type="radio"/>	<input type="radio"/>	M	380 to 440V AC	<input type="radio"/>	<input type="radio"/>	C
48V DC	<input type="radio"/>	<input type="radio"/>	N	440 to 480V AC	<input type="radio"/>	<input type="radio"/>	H
100 to 110V DC	<input type="radio"/>	<input type="radio"/>	L	24V DC	<input type="radio"/>	<input type="radio"/>	M
200 to 220V DC	<input type="radio"/>	<input type="radio"/>	Z	24 to 48V DC	<input type="radio"/>	<input type="radio"/>	R
				48V DC	<input type="radio"/>	<input type="radio"/>	N
				100 to 110V DC	<input type="radio"/>	<input type="radio"/>	L
				100 to 220V DC	<input type="radio"/>	<input type="radio"/>	X
				200 to 220V DC	<input type="radio"/>	<input type="radio"/>	Z

○ : Available

— : Not available

Trip (except SA52/53RCUL, EA102/103CUL) *7

Name	Code
Shunt trip	Lead wire *4 F
Undervoltage trip	R

Note *4: if required Terminal block style, specify "A" at the end of the part number

Note *7: Field - installable accessories / sold separately (SA52/53RCUL, EA102/103CUL only)

Auxiliary switch, alarm switch, shunt trip, undervoltage trip can be installed in the field. (see page 17, 18 for part number)

Earth Leakage Circuit Breakers - EG-UL, SG-UL Series

■ Part Number

Internal accessory

SG103BAUL / 100 - 30MA L1 W K TB A

Product category

Rated current (A)

Rated sensitive current

Sensitive current spec	2pole	3pole	Code
30mA	○	○	30MA
100/200mA changeable	○	-	CO
100/200/500mA changeable	-	○	CO

○ : Available

- : Not available

Terminal structure

Name	Code
Screw terminal	None
Flat terminal	L1 *2
Lug terminal	L *1 *2

Note *1: Lug terminal is not available on SG53RCUL, EG102/103CUL.

Note *2: Lug terminal and Flat terminal are not available on SG103BAUL, SG203BAUL.

Auxiliary switch (except SG53RCUL, EG102/103CUL) *4

Name	Lead wire *3	Code
Standard (SPDT)		W
Double (DPDT)		W2
For small current (SPDT)		WD
For small current (DPDT)		WD2

Note *3: if required Terminal block style, specify "A" at the end of the part number

Alarm switch (except SG53RCUL, EG102/103CUL) *4

Name	Lead wire *3	Code
Standard (SPDT)		K
Double (DPDT)		K2
For small current (SPDT)		KD
For small current (DPDT)		KD2

Note *3: if required Terminal block style, specify "A" at the end of the part number

Note *4: Field - installable accessories / sold separately (SG53RCUL, EG102/103CUL only)

Auxiliary switch, alarm switch, shunt trip, undervoltage trip can be installed in the field. (see page 17, 18 for part number)

Accessories with terminal block (SG103BAUL, SG203BAUL only)

Note *3: if required Terminal block style, specify "A" at the end of the part number

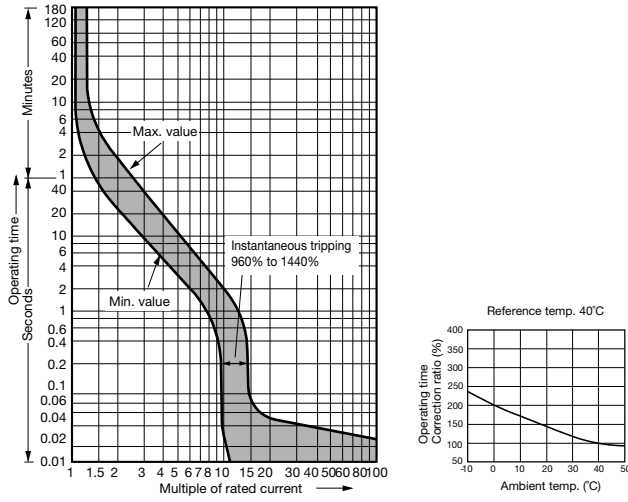
with terminal cover (SG53RCUL, EG102/103CUL only)

Note *5: For other Frame size, order terminal covers separately. (see page 21)

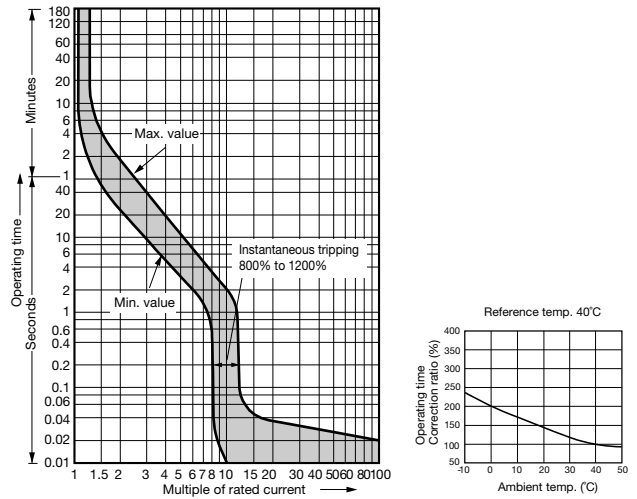
Name	Code
Short	None
Long	TB

■ Characteristic Curves

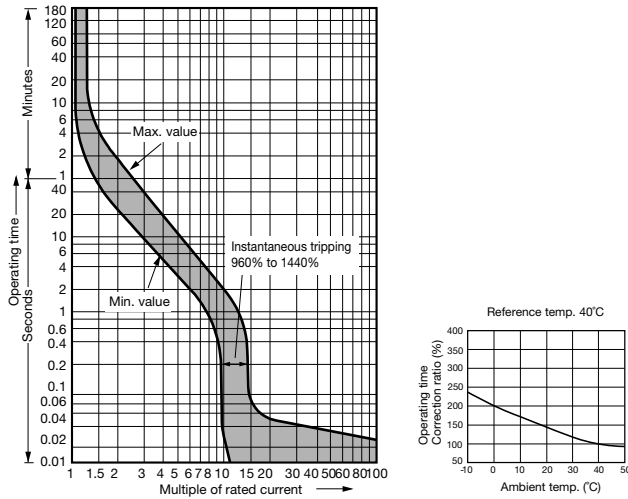
● SA52RCUL, SA53RCUL, SG53RCUL (Rated current: 5A, 10A, 40A)



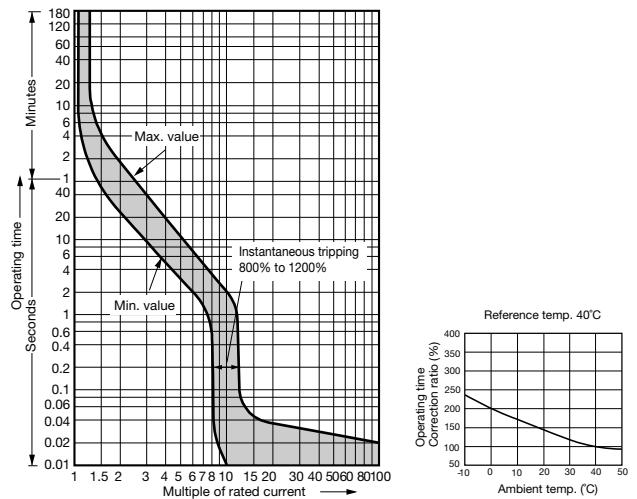
● SA52RCUL, SA53RCUL, SG53RCUL (Rated current: 3A, 15A, 20A, 30A, 50A)



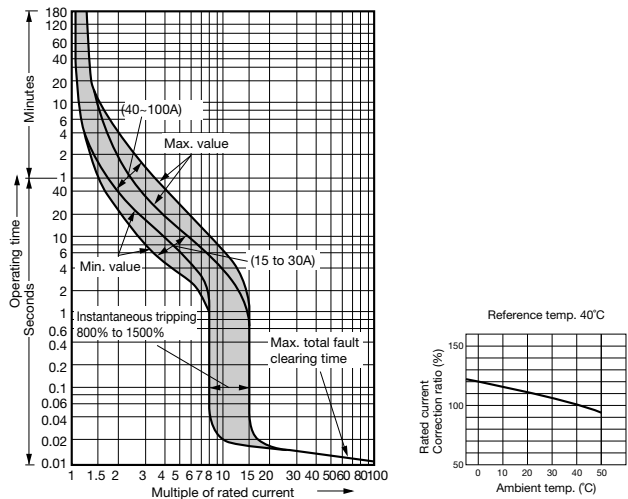
● EA102CUL, EA103CUL, EG102CUL, EG103CUL (Rated current: 60A, 75A)



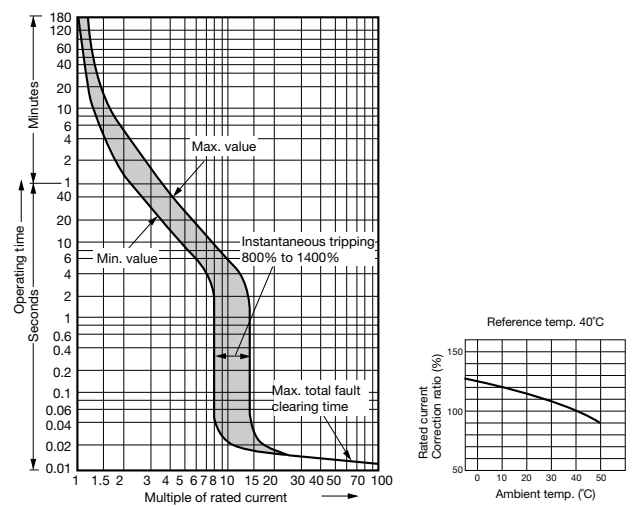
● EA102CUL, EA103CUL, EG102CUL, EG103CUL (Rated current: 100A)



● SA102BAUL, SA103BAUL, SA102RAUL, SA103RAUL

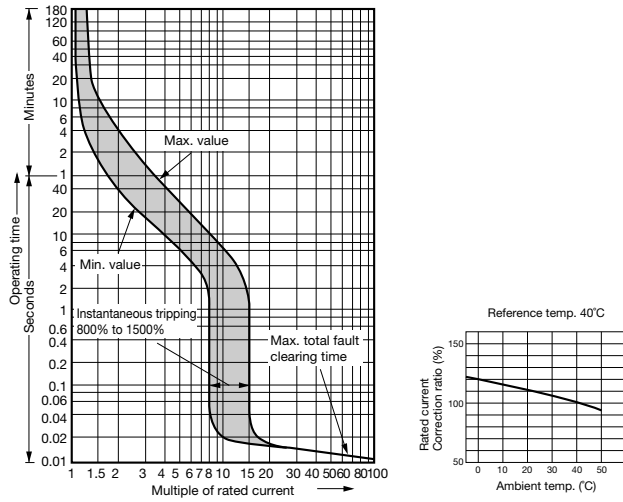


● SA202BAUL, SA203BAUL, SA202RAUL, SA203RAUL

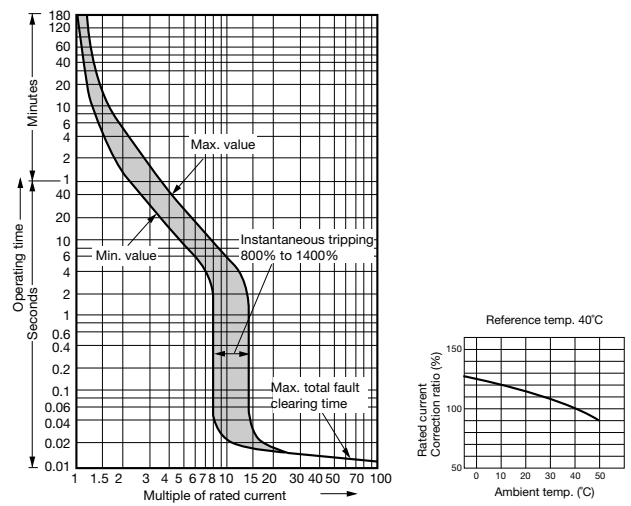


■ Characteristic Curves

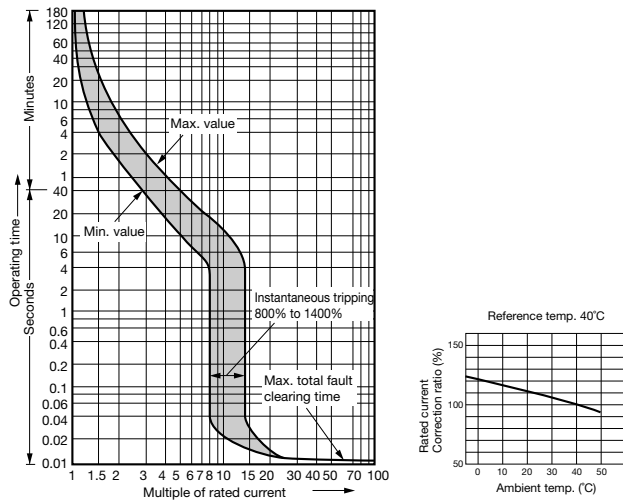
● SG103BAUL



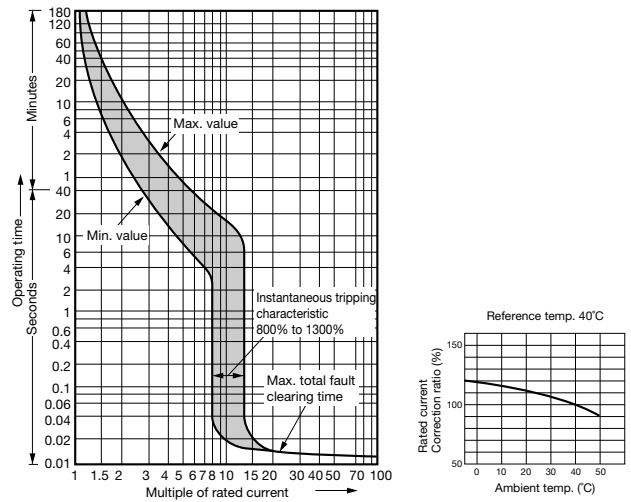
● SG203BAUL



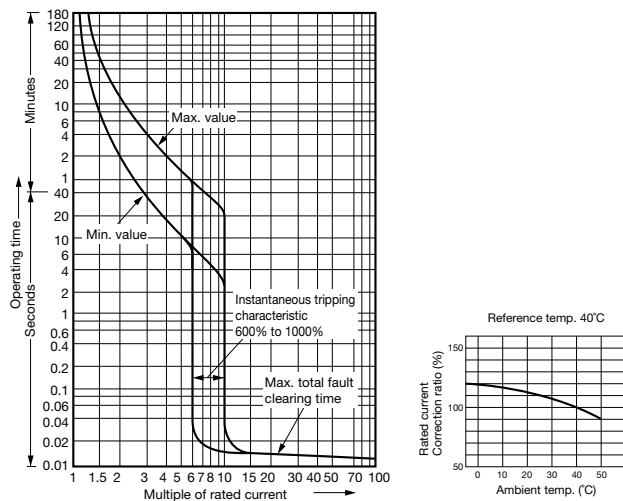
● SA402BUL, SA403BUL, SA402RUL, SA403RUL



● SA603RUL

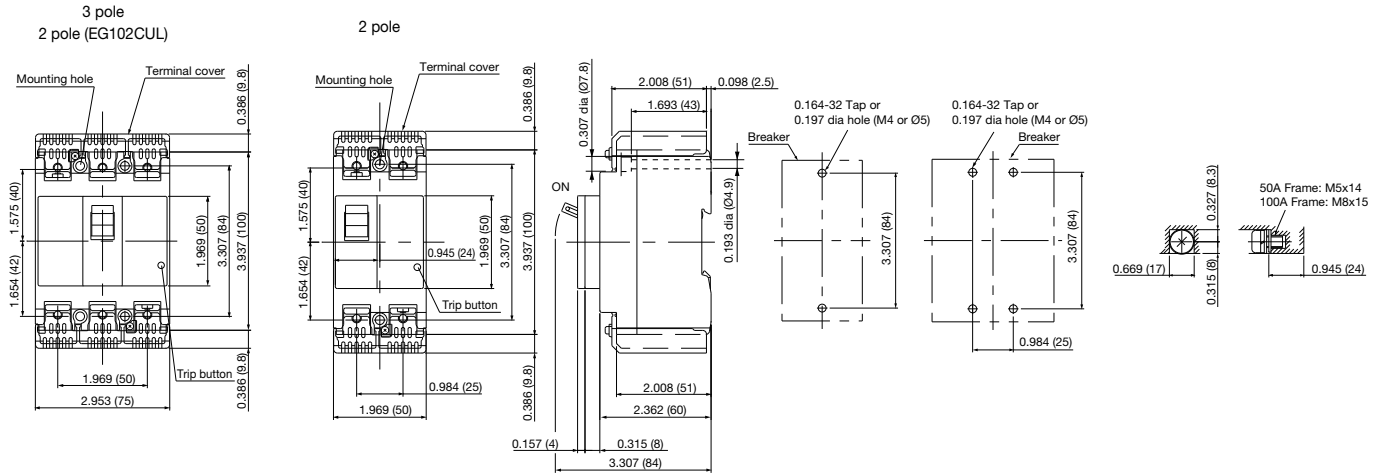


● SA803RUL

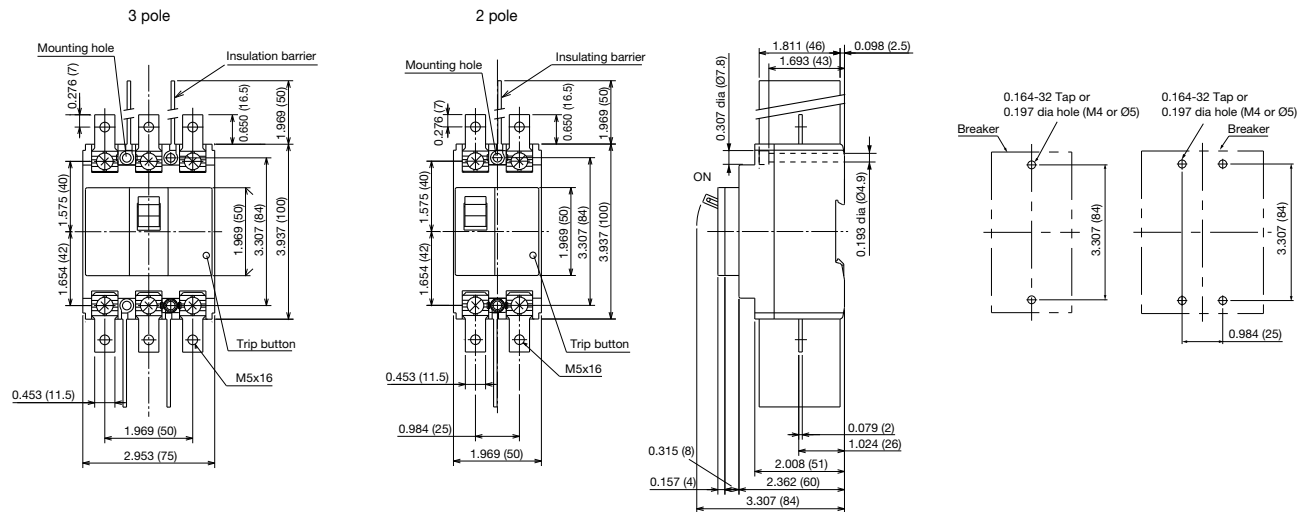


■ Dimensions unit: inch (mm)

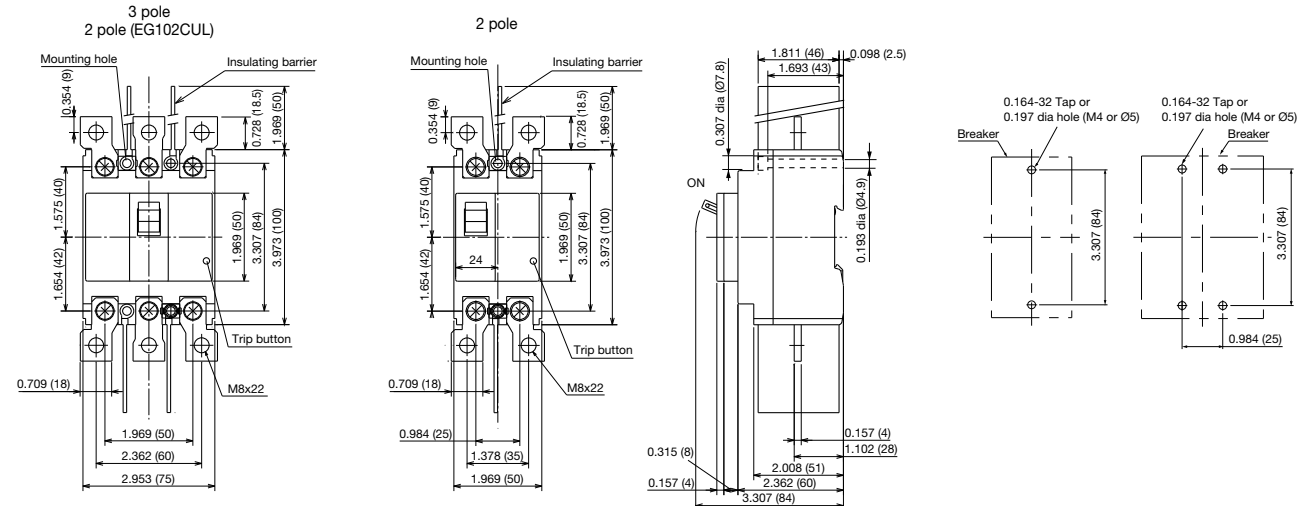
● SA52RCUL/□, SA53RCUL/□, SG53RCUL/□, EA102CUL/□, EA103CUL/□, EG102CUL/□, EG103CUL/□



● SA52RCUL/□L1, SA53RCUL/□L1, SG53RCUL/□L1

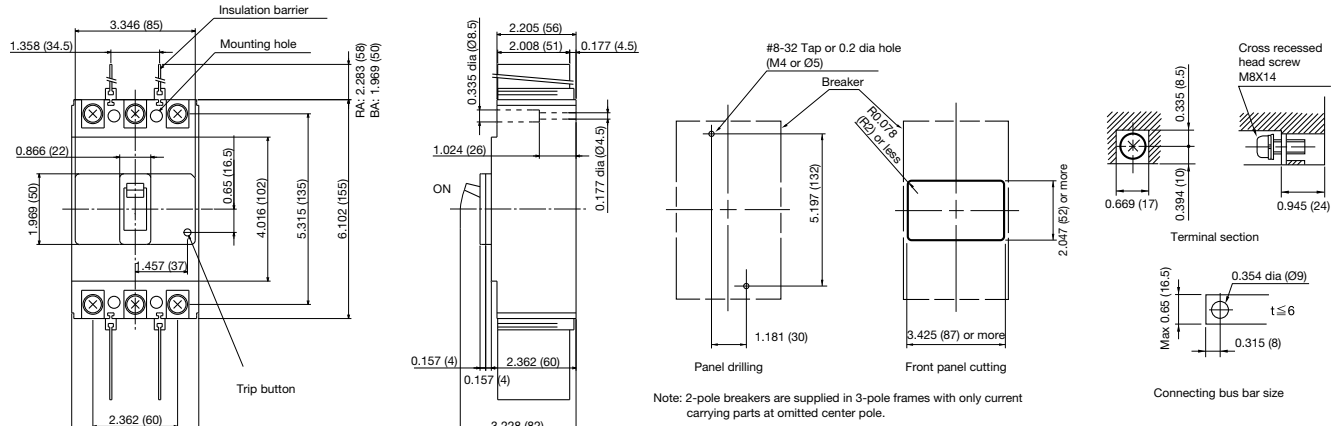


● EA102CUL/□L1, EA103CUL/□L1, EG102CUL/□L1, EG103CUL/□L1

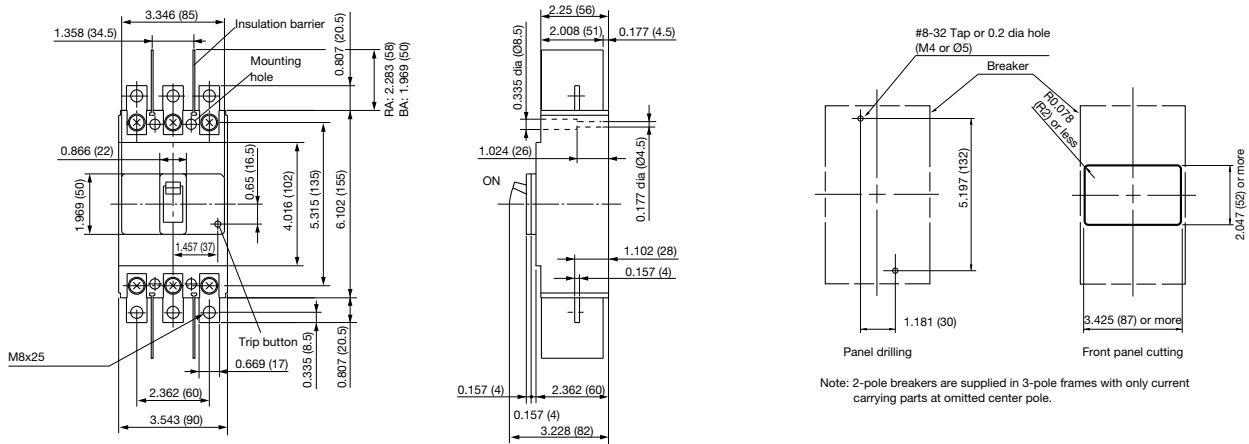


■ Dimensions unit: inch (mm)

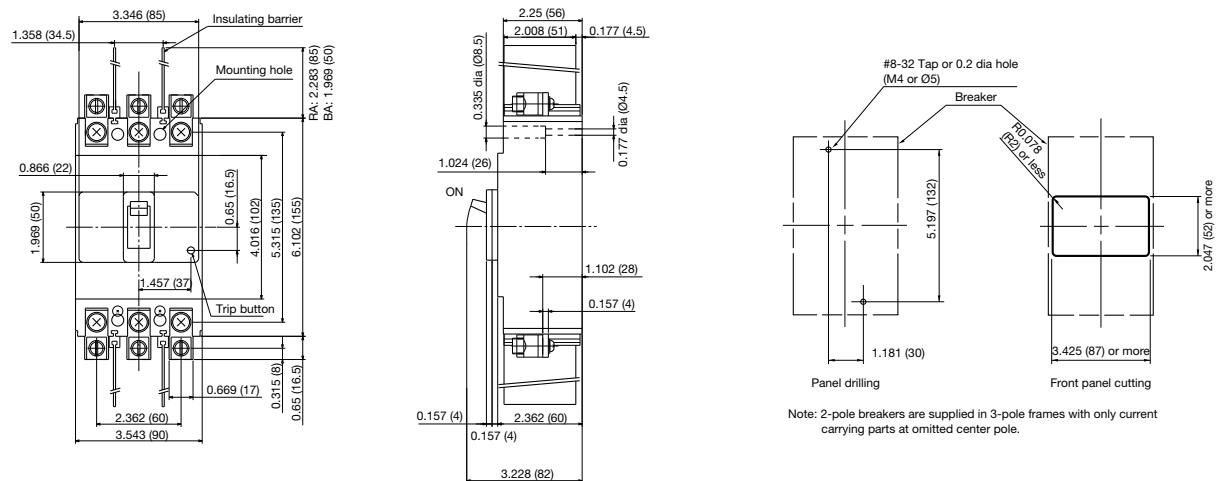
● SA102BAUL/□, SA103BAUL/□, SA102RAUL/□, SA103RAUL/□, SG103BAUL/□



● SA102BAUL/□L1, SA103BAUL/□L1, SA102RAUL/□L1, SA103RAUL/□L1

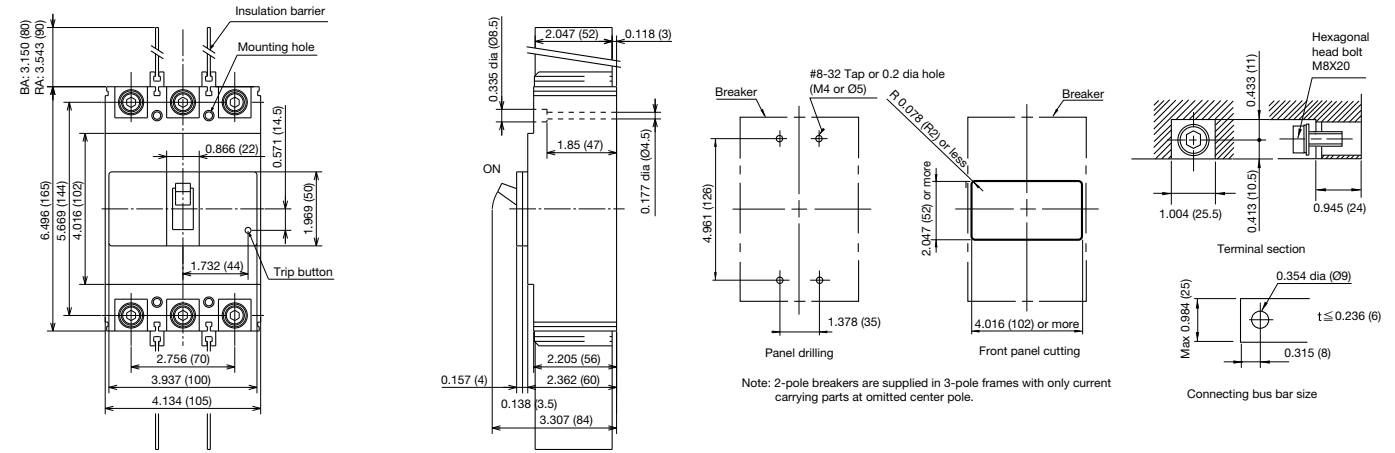


● SA102BAUL/□L, SA103BAUL/□L, SA102RAUL/□L, SA103RAUL/□L

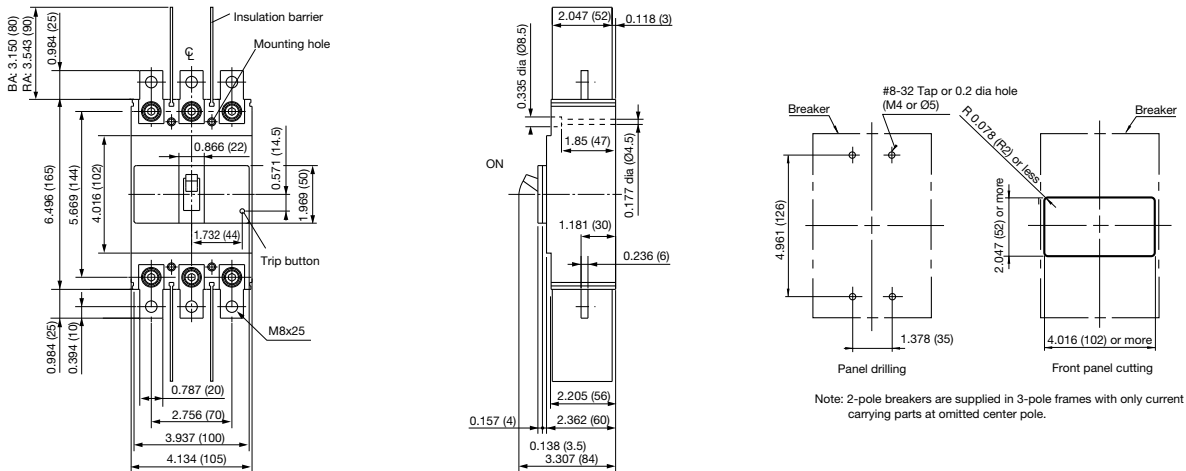


■ Dimensions unit: inch (mm)

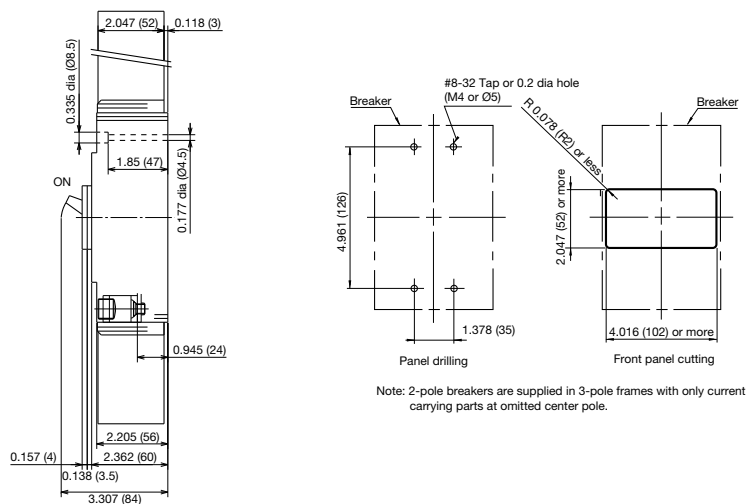
- SA202BAUL/□, SA203BAUL/□, SA202RAUL/□, SA203RAUL/□, SG203BAUL/□



- SA202BAUL/□L1, SA203BAUL/□L1, SA202RAUL/□L1, SA203RAUL/□L1

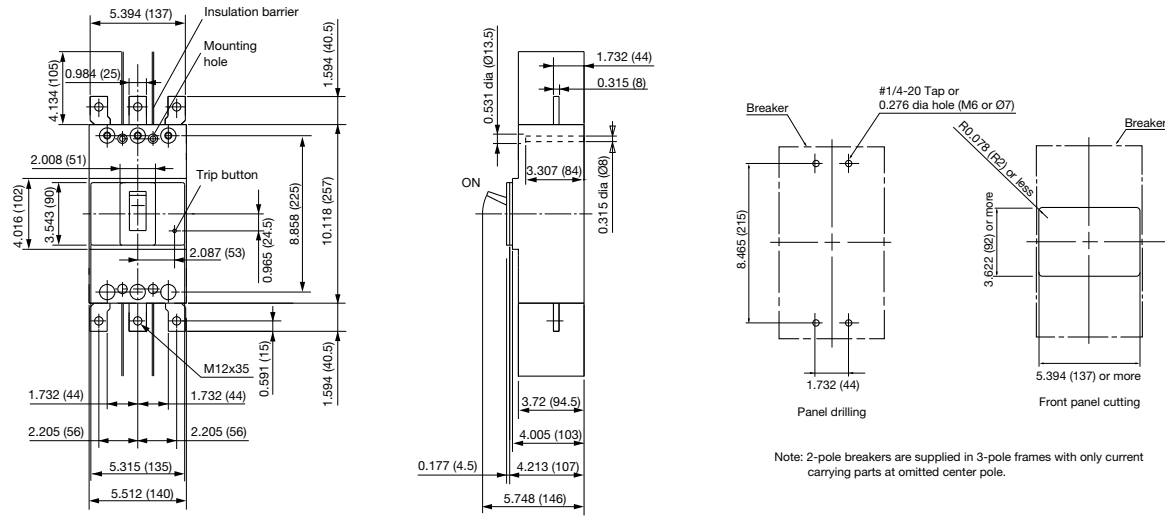


- SA202BAUL/□L, SA203BAUL/□L, SA202RAUL/□L, SA203RAUL/□L

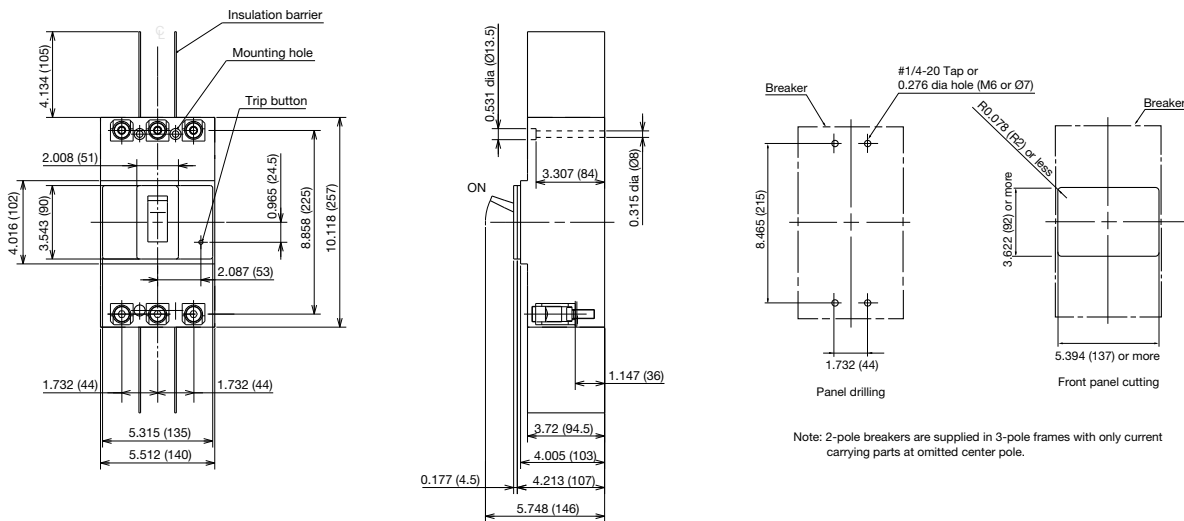


■ Dimensions unit: inch (mm)

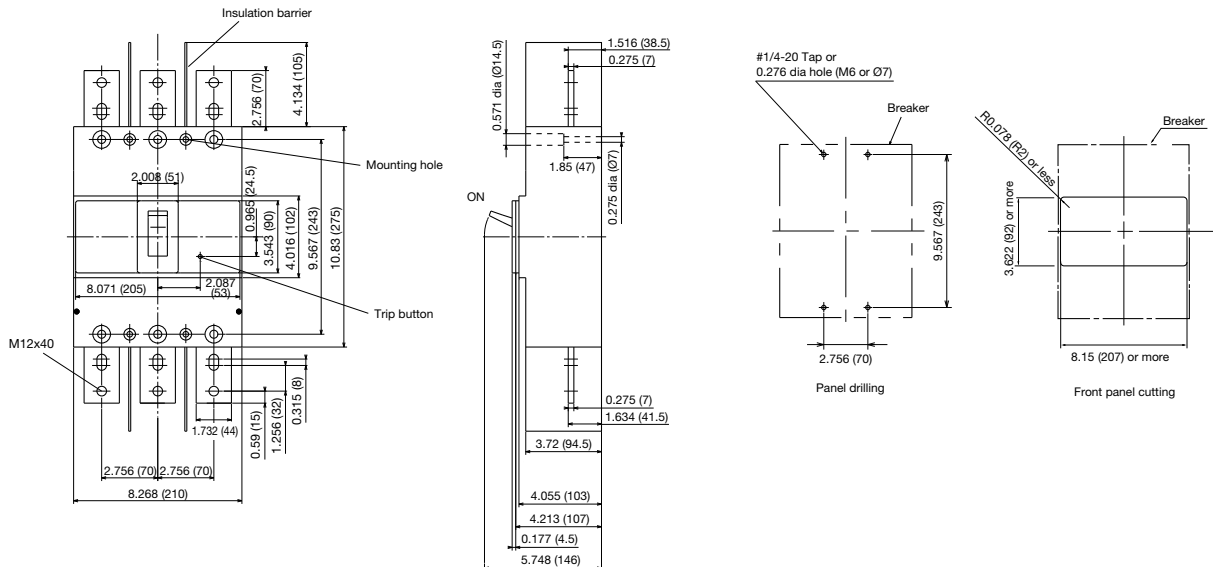
● SA402BUL/□L1, SA403BUL/□L1, SA402RUL/□L1, SA403RUL/□L1



● SA402BUL/□L, SA403BUL/□L, SA402RUL/□L, SA403RUL/□L

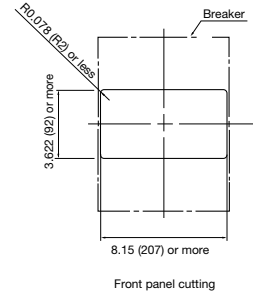
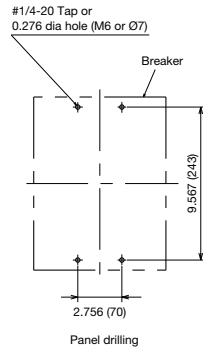
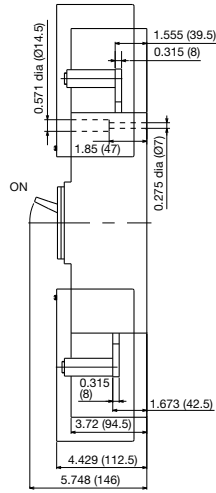
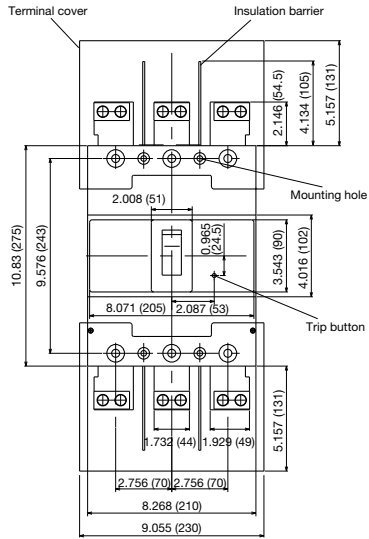


● SA603RUL/□L1, SA803RUL/□L1

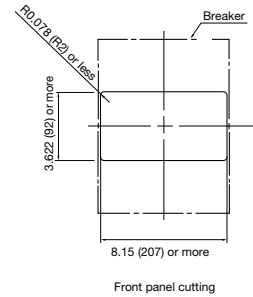
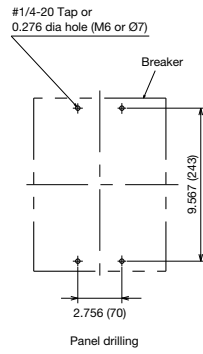
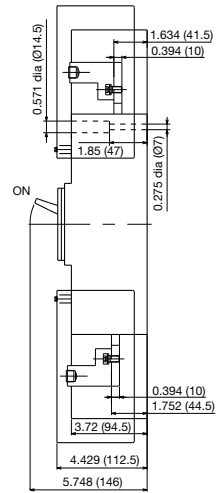
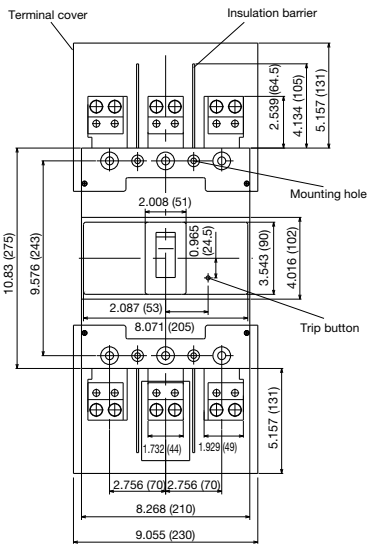


■ Dimensions unit: inch (mm)

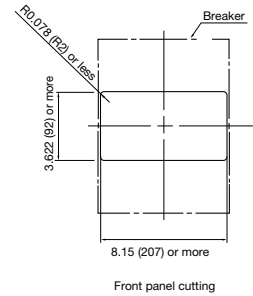
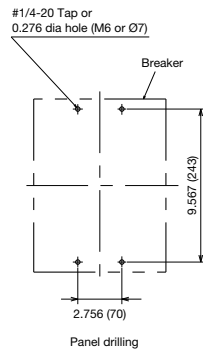
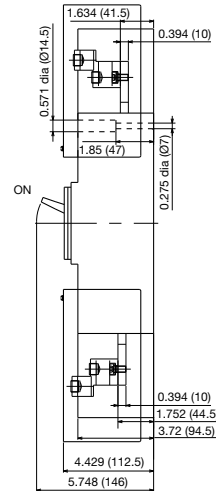
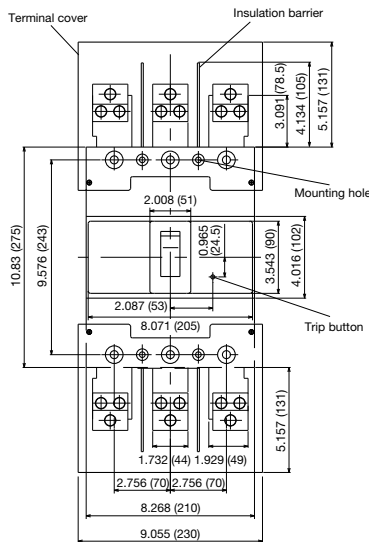
● SA603RUL/□L



● SA803RUL/700L

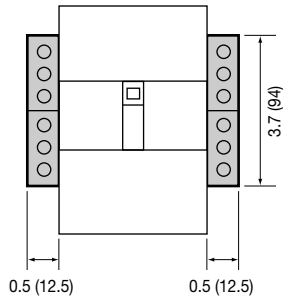


● SA803RUL/800L

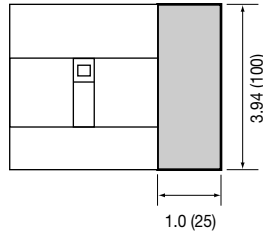


■ **Dimensions of terminal blocks for internal accessories: inch (mm)**

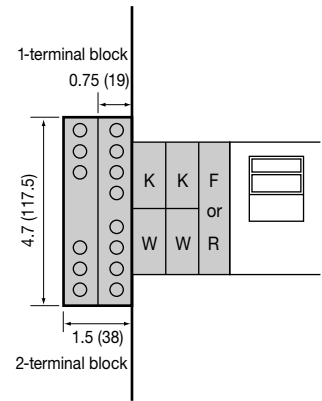
50 to 225A Frame



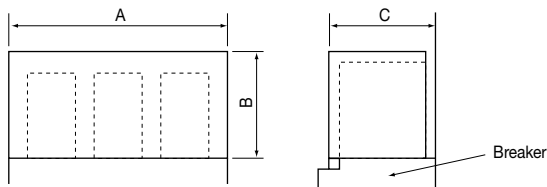
Exception
Undervoltage/Shunt trip device
for SG53RCUL, EG102/103CUL
Undervoltage/trip device
for SA52/53RCUL, EA102/103CUL



400 to 800A Frame



■ **Dimensions of terminal covers: inch (mm)**

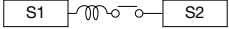
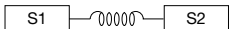


For Screw Terminals				For Lug Terminals				For Flat Terminals				Applicable Breakers
Type	A	B	C	Type	A	B	C	Type	A	B	C	
BZ6TS10C2U (Short)	1.969 (50)	0.386 (9.8)	2.106 (53.5)	-	-	-	-	-	-	-	-	SA52RCUL, EA102CUL
BZ6TB10C2U (Long)	1.969 (50)	1.575 (40)	2.106 (53.5)									
BZ6TS10C3U (Short)	2.953 (75)	0.386 (9.8)	2.106 (53.5)	-	-	-	-	-	-	-	-	SA53RCUL, EA103CUL SG53RCUL, EG102CUL, EG103CUL
BZ6TB10C3U (Long)	2.953 (75)	1.575 (40)	2.106 (53.5)									
BZ-TS30B-3	3.55 (90)	0.4 (10)	2.3 (58.5)	BZ-TB30B-3	3.55 (90)	1.58 (40)	2.3 (58.5)	BZ-TL30B-3	3.54 (90)	2.36 (60)	2.3 (58.5)	SA102BAUL, SA103BAUL, SG103BAUL SA102RAUL, SA103RAUL
BZ-TS40B	4.13 (105)	0.4 (10)	2.3 (58.5)	BZ-TB40B	4.13 (105)	1.97 (50)	2.3 (58.5)	BZ-TL40B	4.13 (105)	2.95 (75)	2.3 (58.5)	SA202BAUL, SA203BAUL, SG203BAUL SA202RAUL, SA203RAUL
-	-	-	-	BZ-TB60B	7.48 (190)	4.57 (116)	3.84 (97.5)	BZ-TB60B	7.48 (190)	4.57 (116)	3.84 (97.5)	SA402BUL, SA403BUL SA402RUL, SA403RUL
-	-	-	-	comes with a breaker	9.06 (230)	5.157 (131)	3.84 (97.5)	BZ-TB70B	9.06 (230)	5.32 (135)	3.84 (97.5)	SA603RUL SA803RUL

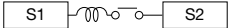
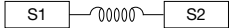
Internal Accessories

Shunt Trip

(1) Factory installed Shunt Trip for SA100 to 800A frame

Code	Operating voltage	Breaker type	SA102BAUL, SA103BAUL SA102RAUL, SA103RAUL SA202BAUL, SA203BAUL SA202RAUL, SA203RAUL		SA402BUL, SA403BUL SA402RUL, SA403RUL SA603RUL, SA803RUL		Time rating (ms)	Terminal No. and Internal circuit
			Input (VA)	Internal circuit	Input (VA)	Internal circuit		
F8	24VAC		30	Continuous	-	Internal circuit	100A frame: 7 to 16 225A frame: 13 to 21 400-800A frame: 80 to 100	Continuous with burnout Prevention contact 
FV	24 to 48VAC		-	with burnout	2.0	Continuous		
F7	48VAC		30	prevention	-			
FT	100 to 125VAC		30	contact	-			
FW	100 to 240VAC		-		3.0			
FU	200 to 240VAC		30		-			
FF	380-550VAC		-		4.0			
FM	24VDC		35		-			
FR	24 to 48VDC		-		2.0			
FN	48VDC		35		-			
FL	100 to 110VDC		35		-			
FX	100 to 220VDC		-		3.0			
FZ	200 to 220VDC		35		-			
								Continuous 

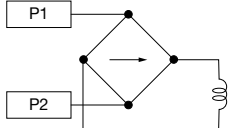
(2) Field installable Shunt Trip for SA52/53RCUL, EA102/103CUL, SG53RCUL, EG102/103CUL

Applicable Breaker	Operating voltage	Input (VA, W)	Part number		Internal circuit	Time rating (ms)	Terminal No. and Internal circuit		
			Lead wire	with Terminal block					
SA52RCUL	24VAC, 24VDC	150	BZ6FR10CU	BZ6FR10CAU	Continuous with burnout prevention contact	7 to 13	Continuous with burnout Prevention contact 		
SA53RCUL	100 to 120VAC, 100 to 110VDC	150	BZ6FA10CU *2	BZ6FA10CAU *2					
EA102CUL EA103CUL	200 to 240VAC 380 to 450VAC	150 200	BZ6FK10CU BZ6FP10CU	BZ6FK10CAU BZ6FP10CAU					
SG53RCUL	100VAC 50Hz, 100 to 110VAC 60Hz	16	-	BZ6F210CAU	Continuous	7 to 13	Continuous 		
EG102CUL EG103CUL	110VAC 50Hz, 110 to 127VAC 60Hz	22	-	BZ6F110CAU *2					
	200VAC 50Hz, 200 to 220VAC 60Hz	16	-	BZ6F710CAU					
	220VAC 50Hz, 220 to 240VAC 60Hz	22	-	BZ6F410CAU *2					
	230VAC 50Hz, 230 to 240VAC 60Hz	22	-	BZ6F510CAU *2					
	240VAC 50Hz	22	-	BZ6FB10CAU *2					
	380VAC 50Hz, 380 to 415VAC 60Hz	22	-	BZ6F010CAU *2					
	400VAC 50Hz, 400 to 440VAC 60Hz	22	-	BZ6F810CAU					
	24VDC	36	-	△ *1 *2				Continuous with burnout prevention contact	7 to 13
	100 to 110VDC	24	-	△ *1 *2					

Notes: *1: ΔFactory-installed accessory. When ordering, specify the rated voltage *2: Under UL application

Undervoltage trip

(1) Factory installed Undervoltage Trip for SA100 to 800A frame

Code	Operating voltage	Breaker type	SA102BAUL, SA103BAUL SA102RAUL, SA103RAUL SA202BAUL, SA203BAUL SA202RAUL, SA203RAUL		SA402BUL, SA403BUL SA402RUL, SA403RUL SA603RUL, SA803RUL		Operating voltage		Terminal No.
			Make/hold (VA)	Make/hold (VA)	Tripping voltage	Make enabling voltage			
R8	24VAC		0.76	2.0	60% to 35% of rated voltage	75% or more of rated voltage			
R7	48VAC		1.5	2.0					
RK	100 to 110VAC		3.5	3.0					
RY	200 to 220VAC		2.0	-					
RU	200 to 240VAC		-	3.0					
R2	240VAC		2.5	-					
RE	380 to 480VAC		-	4.0					
RM	24VDC		0.76	2.0					
RN	48VDC		1.5	2.0					
RL	100 to 110VDC		3.5	3.0					
RZ	200 to 220VDC		2.0	3.0					

Internal Accessories

(2) Field installable Undervoltage Trip for SA52/53RCUL, EA102/103CUL, SG53RCUL, EG102/103CUL

Applicable Breaker	Operating voltage	Input (VA, W)	Part number with Terminal block	Operating voltage		Terminal No.
				Tripping voltage	Make enabling voltage	
SA52RCUL	100VAC 50Hz,	25	BZ6R210CAU	70% to 20% of rated voltage	85% or more of rated voltage	
SA53RCUL	100 to 110VAC 60Hz					
EA102CUL	110VAC 50Hz,	34	BZ6R110CAU *			
EA103CUL	110 to 127VAC 60Hz					
SG53RCUL	200VAC 50Hz,	23	BZ6RW10CAU			
EG102CUL	200 to 220VAC 60Hz					
EG103CUL	220VAC 50Hz,	33	BZ6R410CAU *			
	220 to 240VAC 60Hz					
	230VAC 50Hz,	27	BZ6R510CAU *			
	230 to 240VAC 60Hz					
	240VAC 50Hz	22	BZ6R810CAU *			
	380VAC 50Hz,	33	BZ6R010CAU *			
	380 to 415VAC 60Hz					
	400VAC 50Hz,	27	BZ6R910CAU			
	400 to 440VAC 60Hz					
	24VDC	15	BZ6RF10CAU *			
	100 to 110VDC	15	BZ6RT10CAU *			

Note: *Under UL application

Auxiliary Switches and Alarm Switches

Rating

(1) Standard: W, K

Breaker type	SA52RCUL, SA53RCUL, EA102CUL, EA103CUL SG53RCUL, EG102CUL, EG103CUL	SA102BAUL, SA103BAUL, SA102RAUL, SA103RAUL SA202BAUL, SA203BAUL, SA202RAUL, SA203RAUL SG103BAUL, SG203BAUL	SA402BUL, SA403BUL, SA402RUL, SA403RUL SA603RUL, SA803RUL	Minimum load
Operating voltage	Rated current (A)	Rated current (A)	Rated current (A)	W, K: 5V DC 160mA 30V DC 30mA
120V AC	3.6	3	3	
240V AC	1.8	3	3	
125V DC	0.55	0.2 *	0.2	
250V DC	0.27	0.2 *	0.2	

Note: * Manufacturer's self certification

(2) For small current: WD, KD

Breaker type	SA52RCUL, SA53RCUL, EA102CUL, EA103CUL SG53RCUL, EG102CUL, EG103CUL	SA102BAUL, SA103BAUL, SA102RAUL, SA103RAUL SA202BAUL, SA203BAUL, SA202RAUL, SA203RAUL SG103BAUL, SG203BAUL	SA402BUL, SA403BUL, SA402RUL, SA403RUL SA603RUL, SA803RUL	Minimum load
Operating voltage	Rated current (A)	Rated current (A)	Rated current (A)	WD, KD: 5V DC 1mA 30V DC 1mA
30V DC	0.1	0.1	0.1	

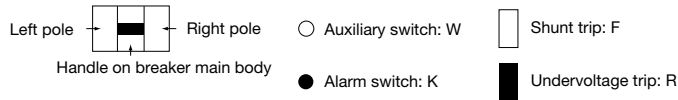
(3) Operation

Type of switch	Condition of MCCB		
	ON	OFF	TRIP
Auxiliary switch (W)			
Alarm switch (K)			

(4) Part number of field installable device (for SA52/53RCUL, EA102/103CUL, SG53RCUL, EG102/103CUL)

Accessory		Part number			
		Lead wire type		With terminal block type	
		Left side	Right side	Left side	Right side
Aux	W	BZ6WL10CU	BZ6WR10CU	BZ6WL10CAU	BZ6WR10CAU
	WD	BZ6WDL10CU	BZ6WDR10CU	BZ6WDL10CAU	BZ6WDR10CAU
Alarm	K	BZ6KL10CU	BZ6KR10CU	BZ6KL10CAU	BZ6KR10CAU
	KD	BZ6KDL10CU	BZ6KDR10CU	BZ6KDL10CAU	BZ6KDR10CAU
Aux, Alarm	WK	BZ6WKL10CU	BZ6WKR10CU	BZ6WKL10CAU	BZ6WKR10CAU
	WDKD	BZ6WDKDL10CU	BZ6WDKDR10CU	BZ6WDKDL10CAU	BZ6WDKDR10CAU

■ Internal Accessory Combinations for MCCB

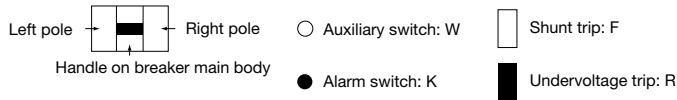


Breaker type	SA52RCUL EA102CUL *1	SA53RCUL EA103CUL *1	SA102BAUL,SA103BAUL SA102RAUL,SA103RAUL SA202BAUL,SA203BAUL SA202RAUL,SA203RAUL	SA402BUL,SA403BUL SA402RUL,SA403RUL SA603RUL, SA803RUL
Poles	2	3	2,3	2,3
Accessories				
Auxiliary switch (W)				
Alarm switch (K)				
Shunt trip (F)				
Undervoltage trip (R)				
W2	N/A			
W+K				
W2+K	N/A			
K2	N/A			
W+K2	N/A			
W2+K2	N/A			
W+F	N/A			
W2+F	N/A	N/A	N/A	
W+R	N/A			
W2+R	N/A	N/A	N/A	
K+F	N/A			
K+R	N/A			
W+K+F	N/A			
W+K+R	N/A			
K2+F	N/A	N/A	N/A	
K2+R	N/A	N/A	N/A	
W2+K+F	N/A	N/A	N/A	
W2+K+R	N/A	N/A	N/A	
W+K2+F	N/A	N/A	N/A	
W+K2+R	N/A	N/A	N/A	
W2+K2+F	N/A	N/A	N/A	
W2+K2+R	N/A	N/A	N/A	

Note: *1 Internal accessories can be installed in the field. (see page 17, 18 for part number)

*2 When ordered with undervoltage trip at 225A Frame or smaller, undervoltage trip with terminal block will be supplied as a standard.

■ Internal Accessory Combinations for ELCB



Breaker type	SG53RCUL EG102CUL, EG103CUL *1	SG103BAUL SG203BAUL
Poles	2,3	3
Accessories		
Auxiliary switch (W)		
Alarm switch (K)		
Shunt trip (F)		N/A
Undervoltage trip (R)		N/A
W2		N/A
W+K		
W2+K		N/A
K2		N/A
W+K2		N/A
W2+K2		N/A
W+F		N/A
W+R		N/A
W2+R	N/A	N/A
K+F		N/A
K+R		N/A
K2+R	N/A	N/A
W+K+F		N/A
W+K+R		N/A
W2+K+R	N/A	N/A
W+K2+R	N/A	N/A
W2+K2+R	N/A	N/A

Note: *1 Internal accessories can be installed in the field. (see page 17, 18 for part number)

*2 When ordered shunt trip or undervoltage trip for SG53RCUL, EG102/103CUL, terminal block style will be supplied as a standard.

■ External Accessories

● Operating Handles

V type	N type	Applicable Breakers
Type	Type	
BZ6V10C	BZ6N10C	SA52RCUL, SA53RCUL, SG53RCUL EA102CUL, EA103CUL, EG102CUL, EG103CUL
BZ-V30C-EUL	BZ-N30C	SA102BAUL, SA103BAUL, SA102RAUL, SA103RAUL
BZ-V40C-EUL	BZ-N40C	SA202BAUL, SA203BAUL, SA202RAUL, SA203RAUL
BZ-V60C-EUL	BZ-N60C	SA402BUL, SA403BUL, SA402RUL, SA403RUL
BZ-V70C-E	BZ-N70C	SA603RUL, SA803RUL

● Terminal Covers

For Screw Terminals		For Lug Terminals *1		For Flat Terminals *1		Applicable Breakers
Type	Packing quantity	Type	Packing quantity	Type	Packing quantity	
BZ6TS10C2U (Short) *2	2	-	-	-	-	SA52RCUL, EA102CUL
BZ6TB10C2C (Long) *2	2	-	-	-	-	
BZ6TS10C3C (Short) *2	2	-	-	-	-	SA53RCUL, EA103CUL, SG53RCUL, EG102CUL, EG103CUL
BZ6TB10C3U (Long) *2	2	-	-	-	-	
BZ-TS30B-3 (Short)	2	BZ-TB30B-3	2	BZ-TL30B-3	2	SA102BAUL, SA103BAUL, SG103BAUL *1 SA102RAUL, SA103RAUL
BZ-TB30B-3 (Long)	2					
BZ-TS40B (Short)	2	BZ-TB40B	2	BZ-TL40B	2	SA202BAUL, SA203BAUL, SG203BAUL *1 SA202RAUL, SA203RAUL
BZ-TB40B (Long)	2					
-	-	BZ-TB60B	2	BZ-TB60B	2	SA402BUL, SA403BUL SA402RUL, SA403RUL
-	-	comes with a breaker		BZ-TB70B	2	SA603RUL SA803RUL

Note: *1 Lug Terminals and Flat Terminals are not available on SG103BAUL and SG203BAUL.

*2 Terminal covers are supplied with a breaker as a standard. If required "Long Terminal cover", please specify "TB" in the part number. (see page 7, 8)

● Insulation Barriers

Insulation barriers		Applicable Breakers
Type	Packing quantity	
BZ6B10C	4	SA52RCUL, SA53RCUL, SG53RCUL, EA102CUL, EA103CUL, EG102CUL, EG103CUL *2
BZ-B30B	4	SA102BAUL, SA103BAUL, SA102RAUL, SA103RAUL, SG103BAUL *1
BZ-B40B	4	SA202BAUL, SA203BAUL, SA202RAUL, SA203RAUL, SG203BAUL *1
B-43A	4	SA402BUL, SA403BUL, SA402RUL, SA403RUL, SA603RUL, SA803RUL *1

Note: *1 Insulation Barriers for line side and load side are provided with the Breaker (2-pole Breaker: 2 pcs.; 3-pole Breaker: 4 pcs.) as a standard.

*2 Insulation Barriers are required for only flat terminal type.

● Terminal Kits (Field Installable)

Flat Terminal Kits		Lug Terminal Kit		Applicable Breakers
Type	Packing quantity *1	Type	Packing quantity *1	
BZ-SU20B	3	-	-	SA52RCUL, SA53RCUL, SG53RCUL
BZ-SU25B	3	-	-	EA102CUL, EG102CUL, EA103CUL, EG103CUL
BZ-SU35B	3	BZ-TA100	3	SA102BAUL, SA103BAUL, SA102RAUL, SA103RAUL
BZ-SU50B	3	BZ-TA225	3	SA202BAUL, SA203BAUL, SA202RAUL, SA203RAUL
BZ-SU60B	3	BZ-TA350	3	SA402BUL, SA403BUL, SA402RUL, SA403RUL (250-350A)
		BZ-TA400	3	SA402BUL, SA403BUL, SA402RUL, SA403RUL (400A)
BZ-SU70B-600	3	BZ-TA600 *2	3	SA603RUL
BZ-SU70B-800	3	BZ-TA700 *2	3	SA803RUL (700A)
		BZ-TA800 *2	3	SA803RUL (800A)

Note: *1 It is required to order 2 terminal kits to complete a breaker (Line side: 3 pcs, Load side: 3 pcs).

*2 A terminal cover comes with a kit.

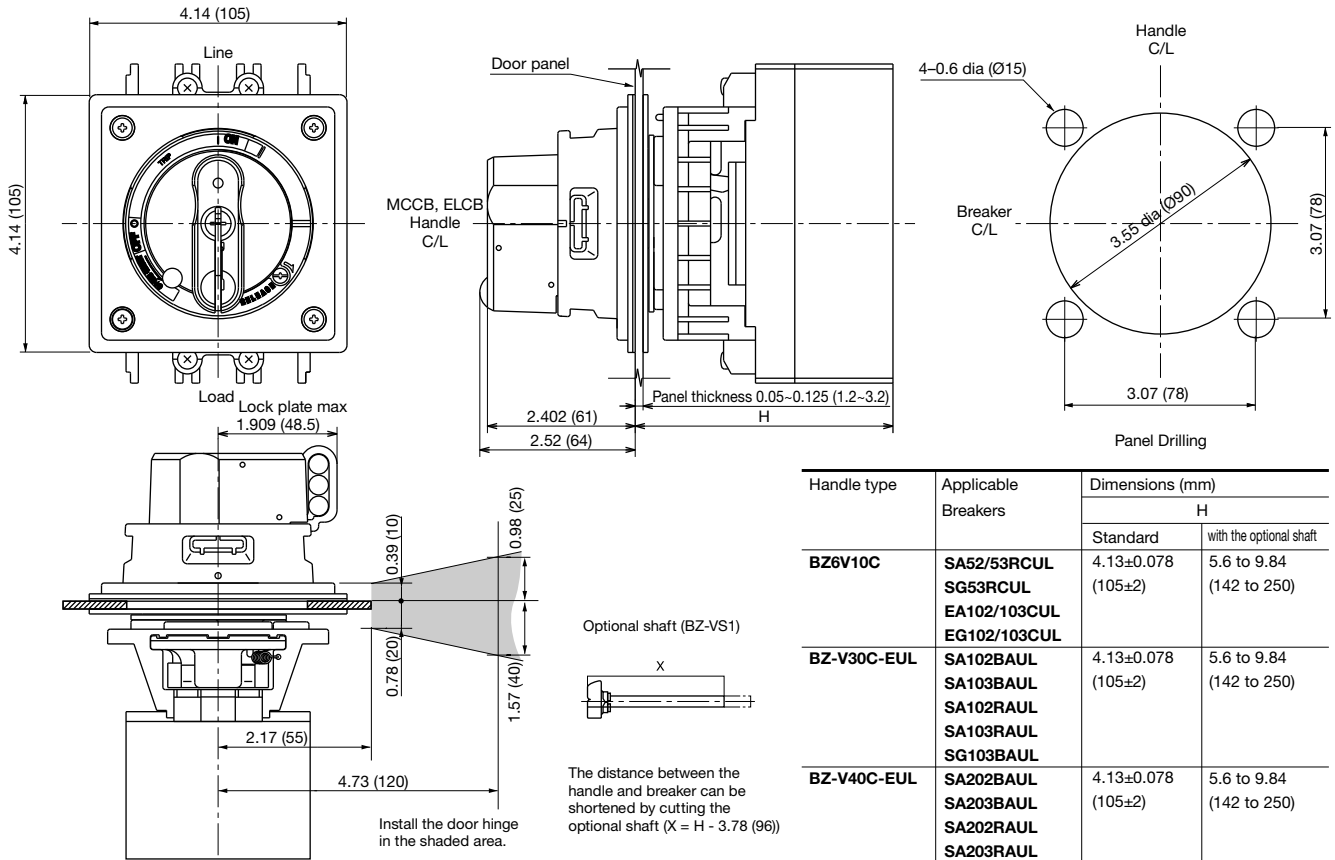
● Handle Lock Covers for Lockout

Handle Lock Covers	Applicable Breakers
Type	
BZ6L10C	SA52RCUL, SA53RCUL, SG53RCUL, EA102CUL, EA103CUL, EG102CUL, EG103CUL
BZ-L30C	SA102BAUL, SA103BAUL, SA102RAUL, SA103RAUL, SG103BAUL
BZ-L40C	SA202BAUL, SA203BAUL, SA202RAUL, SA203RAUL, SG203BAUL

Note: 400A, 600A, 800A Frame are required to order with *Q1* if needed to be lockout by padlock.

■ Operating Handles Dimensions Unit: inch (mm)

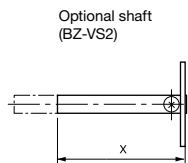
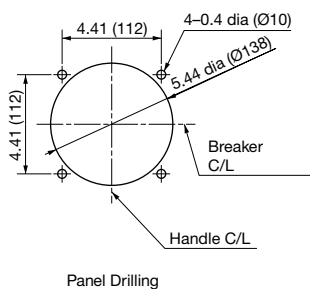
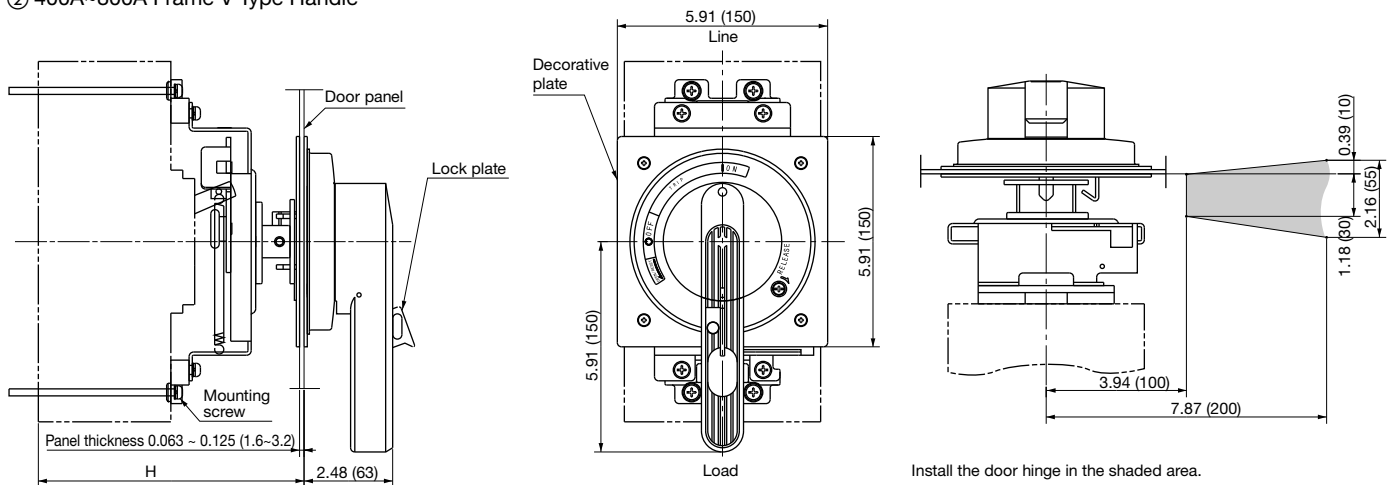
① 50A~225A Frame V Type Handle



Handle type	Applicable Breakers	Dimensions (mm)	
		H	
		Standard	with the optional shaft
BZ6V10C	SA52/53RCUL	4.13±0.078 (105±2)	5.6 to 9.84 (142 to 250)
	SG53RCUL		
	EA102/103CUL		
	EG102/103CUL		
BZ-V30C-EUL	SA102BAUL	4.13±0.078 (105±2)	5.6 to 9.84 (142 to 250)
	SA103BAUL		
	SA102RAUL		
	SA103RAUL		
	SG103BAUL		
BZ-V40C-EUL	SA202BAUL	4.13±0.078 (105±2)	5.6 to 9.84 (142 to 250)
	SA203BAUL		
	SA202RAUL		
	SA203RAUL		
	SG203BAUL		

Note: Handle protection structure IP54 (IEC529, JIS C0920)

② 400A~800A Frame V Type Handle



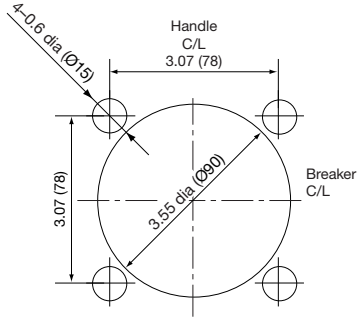
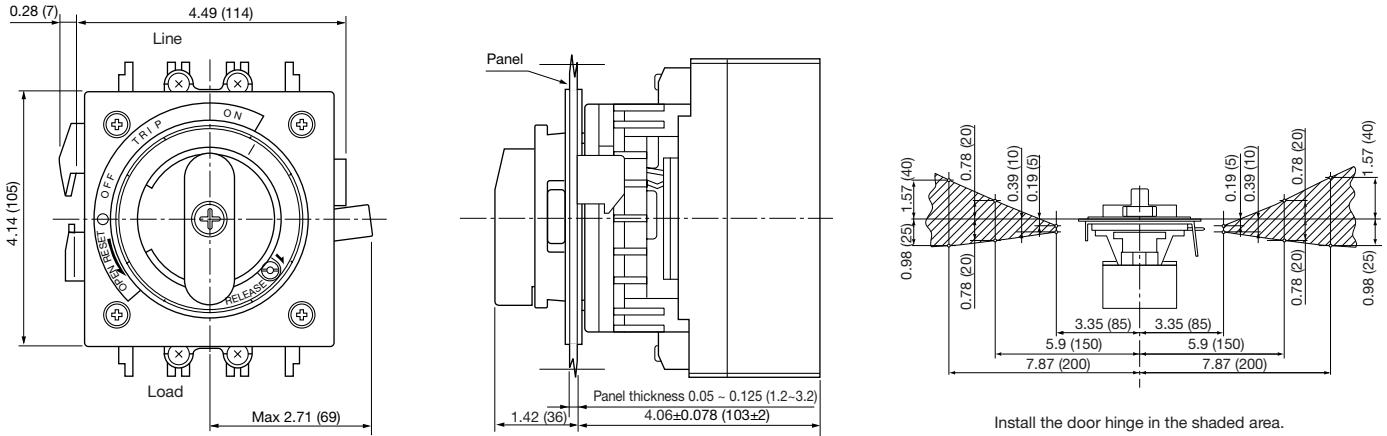
The distance between the handle and breaker can be shortened by cutting the optional shaft (X = H - 6.36 (161.5))

Handle type	Applicable Breakers	Dimensions (mm)	
		H	
		Standard	with the optional shaft
BZ-V60C-EUL	SA402BUL	7.48±0.078 (190±2)	7.96 to 9.84 (202 to 250)
	SA403BUL		
	SA402RUL		
	SA403RUL		
BZ-V70C-E	SA603RUL, SA803RUL	7.48±0.078 (190±2)	7.96 to 9.84 (202 to 250)

Note: Handle protection structure IP54 (IEC529, JIS C0920)

■ Operating Handles Dimensions Unit: inch (mm)

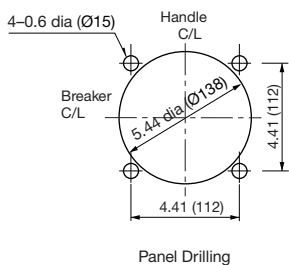
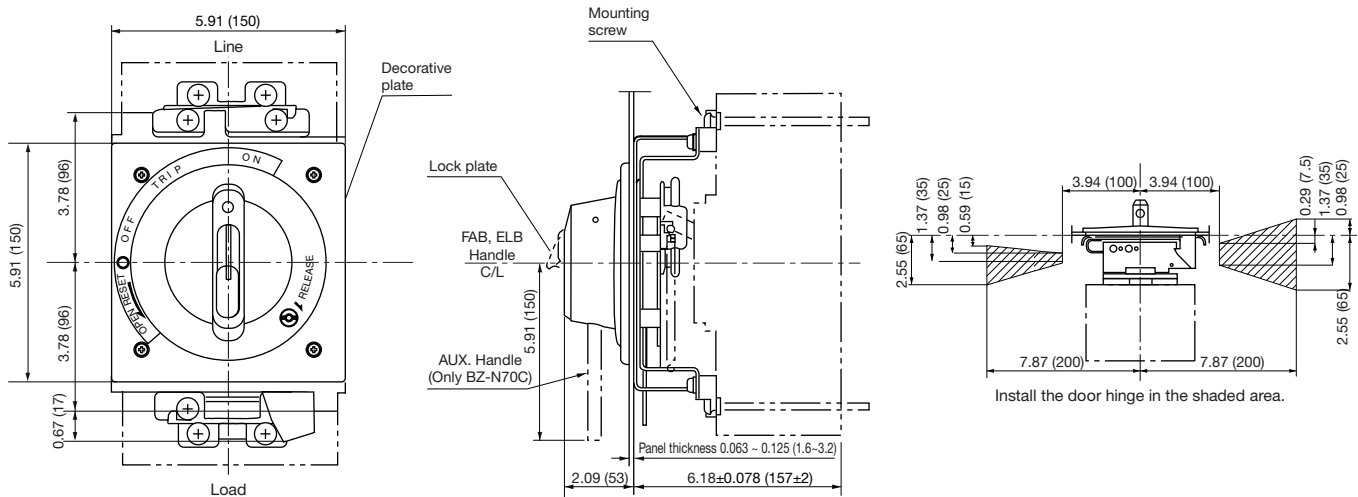
① 50A~225A Frame N Type Handle (Dust proof packing: BZ-NP-1C)



Handle type	Applicable Breakers	Mounting screw
BZ6N10C	SA52RCUL	#8-32X3 1/2 (M4X85)
	EA102CUL	
	SA53RCUL	
BZ-N30C	EA103CUL	#8-32X3 1/2 (M4X85)
	EG102CUL	
	EG103CUL	
BZ-N40C	SA102BAUL	#8-32X3 1/2 (M4X85)
	SA103BAUL	
	SA102RAUL	
	SA103RAUL	
BZ-N40C	SA202BAUL	#8-32X3 1/2 (M4X85)
	SA203BAUL	
	SA202RAUL	
	SA203RAUL	

Note: When using a Dust-proof packing, Handle protection structure is IP 50 (IEC 529, JIS C0920)

② 400A ~ 800A Frame N Type Handle (Dust proof packing: BZ-NP-2)



Handle type	Applicable Breakers	Mounting screw
BZ-N60C	SA402BUL	1/4-20X4 1/2 (M6X110)
	SA403BUL	
	SA402RUL	
	SA403RUL	
BZ-N70C	SA603RUL, SA803RUL	

Note: When using a Dust-proof packing, Handle protection structure is IP 50 (IEC 529, JIS C0920)

■ Wiring

① Connecting Precautions

- When connecting the wires, follow the instruction of NEC (National Electric Code, USA) or CEC (Canadian Electrical code Part 1, Canada).
- For connecting, use the copper wire for 75°C. It is recommended to use the UL or CSA approved wires.
- Keep the connection of the wire tight sufficiently, because the very large electromagnetic force will be generated, when the short circuit current is applied.
- Perform the additional tightening of the terminal screws periodically.

② Terminal Construction

	Screw Terminals	Flat Terminals	Lug Terminals
50A, EA/EG 100A Frame	○	○	—
SA100~225A Frame	○	○	○
SG100~225A Frame	○	—	—
400~800A Frame	—	○	○

○ : Available — : Not available

③ Allowable wire spec for Lug Terminals

Number of strands connecting wires

Wire size AWG or MCM (mm ²)	Number of strands
14 - 2 (2.1 - 33.6)	7
1 - 4/0 (42.4 - 107.2)	19
250 - 500 (127 - 250)	37

(mm²) Values are those converted from AWG or MCM size

⚠ Caution

- To the Lug terminal two wires can not be connected at once.
- Follow the number of the strands of the wire indicated in the table.
- The multiconductor wire can not be connected.
- Do not solder the end of the wire.

■ Max Wire Sizes and Tightening Torque

(1) Screw Terminals

	Applicable Breakers	Rated Current (A)	Applicable Ring (Crimp) Terminal *1	Wire Size *2 AWG (mm ²)	Tightening Torque lb.-in. (N • m)	Screw Size (mm)
1	SA52RCUL, SA53RCUL SG53RCUL	3	R2-5	14AWG (2.1mm ²)	20-25 lb.-in. (2.3-2.8 N • m)	Cross recessed head screw (M5 x 14)
		5	R2-5	14AWG (2.1mm ²)		
		10	R2-5	14AWG (2.1mm ²)		
		15	R2-5	14AWG (2.1mm ²)		
		20	R5.5-5	12AWG (3.3mm ²)		
		30	R5.5-5	10AWG (5.3mm ²)		
		40	R8-5	8AWG (8.4mm ²)		
2	EA102CUL, EA103CUL EG102CUL, EG103CUL	50	R14-5	6AWG (13.3mm ²)	50-65 lb.-in. (5.5-7.5 N • m)	Cross recessed head screw (M8 x 14)
		60	R14-8	6AWG (13.3mm ²)		
		75	22-S8	4AWG (21.2mm ²)		
		100	38-S8	3AWG (26.7mm ²)		
		100	38-S8	3AWG (26.7mm ²)		
3	SA102BAUL, SA103BAUL SA102RAUL, SA103RAUL SG103BAUL	15	R2-8	14AWG (2.1mm ²)	50 lb.-in. (5.8 N • m)	Cross recessed head screw (M8 x 14)
		20	R5.5-8	12AWG (3.3mm ²)		
		30	R5.5-8	10AWG (5.3mm ²)		
		32	R8-8	8AWG (8.4mm ²)		
		40	R8-8	8AWG (8.4mm ²)		
		50	R8-8	8AWG (8.4mm ²)		
		60	R14-8	6AWG (13.3mm ²)		
		70	22-S8	4AWG (21.2mm ²)		
		75	22-S8	4AWG (21.2mm ²)		
		80	22-S8	4AWG (21.2mm ²)		
		90	38-S8	3AWG (26.7mm ²)		
		100	38-S8	3AWG (26.7mm ²)		
		4	SA202BAUL, SA203BAUL SA202RAUL, SA203RAUL SG203BAUL	125		
150	R60-8			1/0AWG (53.5mm ²)		
175	70-8			2/0AWG (67.4mm ²)		
200	CB80-S8			3/0AWG (85.0mm ²)		
225	CB100-S8			4/0AWG (107.2mm ²)		

Notes: *1 Ring (Crimp) Terminal Manufacturer : JST=Japan Solderless Terminal MFG Co., Ltd.
DST=Daido Solderless Terminal MFG Co., Ltd.
AIKOKU=Aikoku Kogyo KK.
NICHIFU=Nichifu Terminal Co., Ltd.

*2 167°F (75°C) Copper wire

(2) Flat Terminals

	Applicable Breakers	Rated Current (A)	Applicable Ring (Crimp) Terminal *1	Wire Size *2 AWG (mm ²)	Tightening Torque lb.-in. (N • m)	Screw Size inch (mm)
1	SA52RCUL/□L1 SA53RCUL/□L1 SG53RCUL/□L1	3	R2-5	14AWG (2.1mm ²)	30~40 lb.-in. (3.5~4.5 N • m)	
		5	R2-5	14AWG (2.1mm ²)		
		10	R2-5	14AWG (2.1mm ²)		
		15	R2-5	14AWG (2.1mm ²)		
		20	R5.5-5	12AWG (3.3mm ²)		
		30	R5.5-5	10AWG (5.3mm ²)		
		40	R8-5	8AWG (8.4mm ²)		
2	EA102CUL/□L1, EA103CUL/□L1 EG102CUL/□L1, EG103CUL/□L1	60	R14-8	6AWG (13.3mm ²)	70~90 lb.-in. (8~10 N • m)	
		75	22-S8	4AWG (21.2mm ²)		
		100	38-S8	3AWG (26.7mm ²)		
3	SA102BAUL/□L1, SA103BAUL/□L1 SA102RAUL/□L1, SA103RAUL/□L1	15	R2-8	14AWG (2.1mm ²)	50 lb.-in. (5.8 N • m)	Hexagonal head bolt #5/16-18 x 1 (M8 x 25)
		20	R5.5-8	12AWG (3.3mm ²)		
		30	R5.5-8	10AWG (5.3mm ²)		
		40	R8-8	8AWG (8.4mm ²)		
		50	R8-8	8AWG (8.4mm ²)		
		60	R14-8	6AWG (13.3mm ²)		
		70	22-S8	4AWG (21.2mm ²)		
		75	22-S8	4AWG (21.2mm ²)		
		80	22-S8	4AWG (21.2mm ²)		
		90	38-S8	3AWG (26.7mm ²)		
4	SA202BAUL/□L1, SA203BAUL/□L1 SA202RAUL/□L1, SA203RAUL/□L1	125	38-S8	1AWG (42.4mm ²)	200 lb.-in. (23 N • m)	Hexagonal head bolt #5/16-18 x 1 (M8 x 25)
		150	R60-8	1/0AWG (53.5mm ²)		
		175	70-8	2/0AWG (67.4mm ²)		
		200	CB80-S8	3/0AWG (85.0mm ²)		
		225	CB100-S8	4/0AWG (107.2mm ²)		
5	SA402BUL/□L1, SA403BUL/□L1 SA402RUL/□L1, SA403RUL/□L1	250	150-12	250MCM (126.7mm ²)	385 lb.-in. (43.5 N • m)	Hexagonal head bolt #1/2-13 x 1.5 (M12 x 40)
		300	180-12	350MCM (177.4mm ²)		
		350	325-12	500MCM (253.4mm ²)		
		400	R80-12 x2 pcs	3/0AWG x2 wires (85.0mm ² x 2 wires)		
6	SA603RUL/□L1	500	150-12 x2 pcs	250MCM x2 wires (126.7mm ² x2 wires)	416 lb.-in. (47 N • m)	Hexagonal head bolt #1/2-13 x 1.5 (M12 x 40)
		600	180-12 x2 pcs	350MCM x2 wires (177.4mm ² x2 wires)		
7	SA803RUL/□L1	700	325-12 x2 pcs	500MCM x2 wires (253.4mm ² x2 wires)	416 lb.-in. (47 N • m)	Hexagonal head bolt #1/2-13 x 1.5 (M12 x 40)
		800	-	-		

Notes: *1 Ring (Crimp) Terminal Manufacturer : JST=Japan Solderless Terminal MFG Co., Ltd.
DST=Daido Solderless Terminal MFG Co., Ltd.
AIKOKU=Aikoku Kogyo KK.
NICHIFU=Nichifu Terminal Co., Ltd.

*2 167°F (75°C) Copper wire

(3) Lug Terminals

	Applicable Breakers	Rated Current (A)	Wire Size Range *1 AWG (mm ²)	Tightening Torque lb.-in. (N • m)	Screw Size inch
1	SA102BAUL/□L, SA103BAUL/□L SA102RAUL/□L, SA103RAUL/□L	15-100	14AWG (2.1mm ²)-1/0AWG (53.5mm ²)	50 lb.-in. (5.8 N • m)	#7/16-20
2	SA202BAUL/□L, SA203BAUL/□L SA202RAUL/□L, SA203RAUL/□L	125-225	1AWG (42.4mm ²)-300MCM (152mm ²)	200 lb.-in. (23 N • m)	#5/8-18
3	SA402BUL/□L, SA403BUL/□L SA402RUL/□L, SA403RUL/□L	250, 300, 350	3/0AWG (85.0mm ²)-500MCM (253.4mm ²)	375 lb.-in. (43.5 N • m)	#3/4-16
		400	3/0AWG x 2 (85.0mm ² x 2)	275 lb.-in. (31.1 N • m)	
4	SA603RUL/□L	500, 600	250MCM x 2 (126.7mm ² x 2)-500MCM x 2 (253.4mm ² x 2)	275 lb.-in. (31.1 N • m)	#5/8-18
5	SA803RUL/□L	700	250MCM x 2 (126.7mm ² x 2)-500MCM x 2 (253.4mm ² x 2)	275 lb.-in. (31.1 N • m)	#5/8-18
		800	3/0AWG x 3 (85.0mm ² x 3)-300MCM x 3 (152mm ² x 3)		

Note: *1 167°F (75°C) Copper wire

■ MCCB, ELCB List Price

Frame Size			50A				100A			
Poles			2		3		2		3	
Type			SA52RCUL		SA53RCUL		EA102CUL		EA103CUL	
Interrupting Capacity (KA)	480V		-	-	-	-	-	-	-	-
	480VY/277V		-	-	-	-	-	-	-	-
	240V		14	14	14	14	14	14	14	14
Rated current (A)			3,5,10,15,20,30,40,50		3,5,10,15,20,30,40,50		60,75,100		60,75,100	
List Price	Breaker base unit	Base unit with Screw terminal *1	160.00		200.00		180.00		220.00	
		Base unit with Lug terminal (L) *2	-		-		-		-	
		Base unit with Flat terminal (L1) *3	192.00		248.00		212.00		268.00	
	Internal accessories	W / K	*4		*4		*4		*4	
		WD / KD	*4		*4		*4		*4	
		W2 / K2	*4		*4		*4		*4	
		WD2 / KD2	*4		*4		*4		*4	
		F	*4		*4		*4		*4	
		R	*4		*4		*4		*4	
		A	*4		*4		*4		*4	
Q1	-		-		-		-			

Frame Size			100A				225A			
Poles			2		3		2		3	
Type			SA102BAUL		SA103BAUL		SA102RAUL		SA103RAUL	
Interrupting Capacity (KA)	480V		-	-	-	-	-	-	-	-
	480VY/277V		-	-	25	25	-	-	-	25
	240V		35	35	85	85	35	35	85	85
Rated current (A)			15,20,30,40,50,60,70,75,80,90,100		15,20,30,40,50,60,70,75,80,90,100		125,150,175,200,225		125,150,175,200,225	
List Price	Breaker base unit	Base unit with Screw terminal *1	250.00	290.00	300.00	360.00	536.00	654.00	616.00	704.00
		Base unit with Lug terminal (L) *2	270.00	320.00	320.00	390.00	600.00	750.00	680.00	800.00
		Base unit with Flat terminal (L1) *3	286.00	344.00	336.00	414.00	584.00	726.00	664.00	776.00
	Internal accessories	W / K	66.00	66.00	66.00	66.00	76.00	76.00	76.00	76.00
		WD / KD	76.00	76.00	76.00	76.00	86.00	86.00	86.00	86.00
		W2 / K2	132.00	132.00	132.00	132.00	152.00	152.00	152.00	152.00
		WD2 / KD2	152.00	152.00	152.00	152.00	172.00	172.00	172.00	172.00
		F	140.00	140.00	140.00	140.00	160.00	160.00	160.00	160.00
		R	210.00	210.00	210.00	210.00	300.00	300.00	300.00	300.00
		A	30.00	30.00	30.00	30.00	30.00	30.00	30.00	30.00
Q1	-	-	-	-	-	-	-	-		

Frame Size			400A							
Poles			2		2		3		3	
Type			SA402BUL		SA402BUL		SA403BUL		SA403BUL	
Interrupting Capacity (KA)	480V		25	25	25	25	50	50	50	50
	480VY/277V		25	25	25	25	50	50	50	50
	240V		42	42	42	42	85	85	85	85
Rated current (A)			250,300,350		400		250,300,350		400	
List Price	Breaker base unit	Base unit with Screw terminal *1	-		-		-		-	
		Base unit with Lug terminal (L) *2	950.00	1,230.00	1,200.00	1,600.00	1,100.00	1,480.00	1,380.00	1,800.00
		Base unit with Flat terminal (L1) *3	950.00	1,058.00	1,200.00	1,342.00	1,100.00	1,308.00	1,380.00	1,542.00
	Internal accessories	W / K	90.00	90.00	90.00	90.00	90.00	90.00	90.00	90.00
		WD / KD	100.00	100.00	100.00	100.00	100.00	100.00	100.00	100.00
		W2 / K2	180.00	180.00	180.00	180.00	180.00	180.00	180.00	180.00
		WD2 / KD2	200.00	200.00	200.00	200.00	200.00	200.00	200.00	200.00
		F	200.00	200.00	200.00	200.00	200.00	200.00	200.00	200.00
		R	300.00	300.00	300.00	300.00	300.00	300.00	300.00	300.00
		A	30.00	30.00	30.00	30.00	30.00	30.00	30.00	30.00
Q1	50.00	50.00	50.00	50.00	50.00	50.00	50.00	50.00		

■ MCCB, ELCB List Price

Frame Size		600A		800A	
Poles		3		3	
Type		SA603RUL		SA803RUL	
Interrupting Capacity (KA)		480V	50	50	50
		480VY/277V	50	50	50
		240V	85	85	85
Rated current (A)		500,600		700	
List Price	Breaker base unit	Base unit with Screw terminal *1	-	-	-
		Base unit with Lug terminal (L) *2	3,100.00	4,180.00	4,200.00
		Base unit with Flat terminal (L1) *3	2,836.00	3,574.00	3,576.00
	Internal accessories	W / K	90.00	90.00	90.00
		WD / KD	100.00	100.00	100.00
		W2 / K2	180.00	180.00	180.00
		WD2 / KD2	200.00	200.00	200.00
		F	200.00	200.00	200.00
		R	300.00	300.00	300.00
		A	30.00	30.00	30.00
Q1	50.00	50.00	50.00		

Frame Size		50A		100A		225A	
Poles		3		2		3	
Type		SG53RCUL		EG102CUL		EG103CUL	
Interrupting Capacity (KA)		480V	-	-	-	-	-
		480VY/277V	-	-	-	-	-
		240V	14	14	14	35	35
Rated current (A)		3,5,10,15,20,30,40,50		60,75,100		60,75,100	
List Price	Breaker base unit	Base unit with Screw terminal *1	640.00	640.00	660.00	1,100.00	1,600.00
		Base unit with Lug terminal (L) *2	-	-	-	-	-
		Base unit with Flat terminal (L1) *3	688.00	672.00	708.00	-	-
	Internal accessories	W / K	*4	*4	*4	66.00	66.00
		WD / KD	*4	*4	*4	76.00	76.00
		W2 / K2	*4	*4	*4	132.00	132.00
		WD2 / KD2	*4	*4	*4	152.00	152.00
		F	*4	*4	*4	-	-
		R	*4	*4	*4	-	-
		A	*4	*4	*4	30.00	30.00
Q1	-	-	-	-	-		

Notes: *1 Base unit (SA52RCUL, SA53RCUL, SG53RCUL, EA102CUL, EA103CUL, EG102CUL, EG103CUL) with screw terminal package includes complete circuit breaker, screw terminal, terminal cover for line and load side and mounting hardware.

*1' Base unit (except SA52RCUL, SA53RCUL, SG53RCUL, EA102CUL, EA103CUL, EG102CUL, EG103CUL) with screw terminal package includes complete circuit breaker, screw terminal, insulation barriers and mounting hardware.

*2 Base unit with lug terminal package includes complete circuit breaker, lugs, insulation barriers and mounting hardware. SA603RUL / SA803RUL includes terminal covers for line and load side.

*3 Base unit (SA52RCUL, SA53RCUL, SG53RCUL, EA102CUL, EA103CUL, EG102CUL, EG103CUL) with flat terminal package includes complete circuit breakers, flat terminals, insulation barriers, terminal cover for line and load side and mounting hardware.

*3' Base unit (except SA52RCUL, SA53RCUL, SG53RCUL, EA102CUL, EA103CUL, EG102CUL, EG103CUL) with flat terminal package includes complete circuit breakers, flat terminals, insulation barriers and mounting hardware.

*4 Internal accessories are available as a field installation accessories. See accessories List Price.

-: Not available.
All prices are subject to change without notice.

■ Accessories List Price

Accessories name	Part number	List Price	Applicable Breakers		
Auxiliary Switches (Field Installation)	W: Left side	BZ6WL10CU	60.00	SA53RCUL, SG53RCUL, EA103CUL, EG102CUL, EG103CUL	
	W: Right side	BZ6WR10CU	60.00	SA52RCUL, SA53RCUL, SG53RCUL, EA102CUL, EA103CUL, EG102CUL, EG103CUL	
	WD: Left side	BZ6WDL10CU	70.00	SA53RCUL, SG53RCUL, EA103CUL, EG102CUL, EG103CUL	
	WD: Right side	BZ6WDR10CU	70.00	SA52RCUL, SA53RCUL, SG53RCUL, EA102CUL, EA103CUL, EG102CUL, EG103CUL	
	WA: Left side	BZ6WL10CAU	90.00	SA53RCUL, SG53RCUL, EA103CUL, EG102CUL, EG103CUL	
	WA: Right side	BZ6WR10CAU	90.00	SA52RCUL, SA53RCUL, SG53RCUL, EA102CUL, EA103CUL, EG102CUL, EG103CUL	
	WDA: Left side	BZ6WDL10CAU	100.00	SA53RCUL, SG53RCUL, EA103CUL, EG102CUL, EG103CUL	
	WDA: Right side	BZ6WDR10CAU	100.00	SA52RCUL, SA53RCUL, SG53RCUL, EA102CUL, EA103CUL, EG102CUL, EG103CUL	
Alarm Switches (Field Installation)	K: Left side	BZ6KL10CU	60.00	SA53RCUL, SG53RCUL, EA103CUL, EG102CUL, EG103CUL	
	K: Right side	BZ6KR10CU	60.00	SA52RCUL, SA53RCUL, SG53RCUL, EA102CUL, EA103CUL, EG102CUL, EG103CUL	
	KD: Left side	BZ6KDL10CU	70.00	SA53RCUL, SG53RCUL, EA103CUL, EG102CUL, EG103CUL	
	KD: Right side	BZ6KDR10CU	70.00	SA52RCUL, SA53RCUL, SG53RCUL, EA102CUL, EA103CUL, EG102CUL, EG103CUL	
	KA: Left side	BZ6KL10CAU	90.00	SA53RCUL, SG53RCUL, EA103CUL, EG102CUL, EG103CUL	
	KA: Right side	BZ6KR10CAU	90.00	SA52RCUL, SA53RCUL, SG53RCUL, EA102CUL, EA103CUL, EG102CUL, EG103CUL	
	KDA: Left side	BZ6KDL10CAU	100.00	SA53RCUL, SG53RCUL, EA103CUL, EG102CUL, EG103CUL	
	KDA: Right side	BZ6KDR10CAU	100.00	SA52RCUL, SA53RCUL, SG53RCUL, EA102CUL, EA103CUL, EG102CUL, EG103CUL	
Auxiliary and Alarm Switches (Field Installation)	WK: Left side	BZ6WKL10CU	120.00	SA53RCUL, SG53RCUL, EA103CUL, EG102CUL, EG103CUL	
	WK: Right side	BZ6WKR10CU	120.00	SA52RCUL, SA53RCUL, SG53RCUL, EA102CUL, EA103CUL, EG102CUL, EG103CUL	
	WDKD: Left side	BZ6WDKDL10CU	140.00	SA53RCUL, SG53RCUL, EA103CUL, EG102CUL, EG103CUL	
	WDKD: Right side	BZ6WDKDR10CU	140.00	SA52RCUL, SA53RCUL, SG53RCUL, EA102CUL, EA103CUL, EG102CUL, EG103CUL	
	WKA: Left side	BZ6WKL10CAU	180.00	SA53RCUL, SG53RCUL, EA103CUL, EG102CUL, EG103CUL	
	WKA: Right side	BZ6WKR10CAU	180.00	SA52RCUL, SA53RCUL, SG53RCUL, EA102CUL, EA103CUL, EG102CUL, EG103CUL	
	WDKDA: Left side	BZ6WDKDL10CAU	200.00	SA53RCUL, SG53RCUL, EA103CUL, EG102CUL, EG103CUL	
	WDKDA: Right side	BZ6WDKDR10CAU	200.00	SA52RCUL, SA53RCUL, SG53RCUL, EA102CUL, EA103CUL, EG102CUL, EG103CUL	
Shunt trip (Field Installation) *1	for MCCB	BZ6F#10CU	80.00	SA52RCUL, SA53RCUL, EA102CUL, EA103CUL	
	for MCCB (with terminal block)	BZ6F#10CAU	110.00	SA52RCUL, SA53RCUL, EA102CUL, EA103CUL	
	for ELCB	BZ6F#10CAU	90.00	SG53RCUL, EG102CUL, EG103CUL	
Undervoltage trip *1		BZ6R#10CAU	210.00	SA52RCUL, SA53RCUL, SG53RCUL, EA102CUL, EA103CUL, EG102CUL, EG103CUL	
	Operating handles	BZ6V10C	140.00	SA52RCUL, SA53RCUL, SG53RCUL, EA102CUL, EA103CUL, EG102CUL, EG103CUL	
Operating handles	V type	BZ-V30C-EUL	140.00	SA102BAUL, SA103BAUL, SA102RAUL, SA103RAUL	
		BZ-V40C-EUL	140.00	SA202BAUL, SA203BAUL, SA202RAUL, SA203RAUL	
		BZ-V60C-EUL	200.00	SA402BUL, SA403BUL, SA402RUL, SA403RUL	
		BZ-V70C-E	200.00	SA603RUL, SA803RUL	
		BZ-VS1	35.00	Extension shaft for BZ6V10C / BZ-V30C-EUL / BZ-V40C-EUL	
		BZ-VS2	35.00	Extension shaft for BZ-V60C-EUL / BZ-V70C-E	
		N type	BZ6N10C	110.00	SA52RCUL, SA53RCUL, SG53RCUL, EA102CUL, EA103CUL, EG102CUL, EG103CUL
			BZ-N30C	110.00	SA102BAUL, SA103BAUL, SA102RAUL, SA103RAUL
	BZ-N40C		110.00	SA202BAUL, SA203BAUL, SA202RAUL, SA203RAUL	
	BZ-N60C		180.00	SA402BUL, SA403BUL, SA402RUL, SA403RUL	
	BZ-N70C		180.00	SA603RUL, SA803RUL	
	BZ-NP-1C		12.00	BZ6N10C, BZ-N30C, BZ-N40C	
	BZ-NP-2		17.00	BZ-N60C, BZ-N70C	
	Terminal Covers *2	2 pole, short, Black	BZ6TS10C2U	9.00	SA52RCUL, EA102CUL
			BZ6TS10C3U	10.00	SA53RCUL, SG53RCUL, EA103CUL, EG102CUL, EG103CUL
BZ-TS30B-3			20.00	SA102BAUL, SA103BAUL, SA102RAUL, SA103RAUL	
3 pole, short, Black short for screw terminal short for screw terminal		BZ-TS40B	20.00	SA202BAUL, SA203BAUL, SA202RAUL, SA203RAUL	
		BZ6TB10C2U	9.00	SA52RCUL, EA102CUL, EG102CUL	
		BZ6TB10C3U	10.00	SA53RCUL, SG53RCUL, EA103CUL, EG103CUL	
2 pole, long, Black 3 pole, long, Black long for screw terminal long for screw terminal		BZ-TB30B-3	20.00	SA102BAUL, SA103BAUL, SA102RAUL, SA103RAUL	
		BZ-TB40B	20.00	SA202BAUL, SA203BAUL, SA202RAUL, SA203RAUL	
		BZ-TB30B-3	20.00	SA102BAUL, SA103BAUL, SA102RAUL, SA103RAUL	
for lug terminal		BZ-TB40B	20.00	SA202BAUL, SA203BAUL, SA202RAUL, SA203RAUL	
		BZ-TB60B	80.00	SA402BUL, SA403BUL, SA402RUL, SA403RUL	
		BZ-TL30B-3	50.00	SA102BAUL, SA103BAUL, SA102RAUL, SA103RAUL	
for flat terminal		BZ-TL40B	60.00	SA202BAUL, SA203BAUL, SA202RAUL, SA203RAUL	
		BZ-TB60B	80.00	SA402BUL, SA403BUL, SA402RUL, SA403RUL	
	BZ-TB70B	90.00	SA603RUL, SA803RUL		
Insulation Barriers *3		BZ6B10C	12.00	SA52RCUL, SA53RCUL, SG53RCUL, EA102CUL, EA103CUL, EG102CUL, EG103CUL	
		BZ-B30B	12.00	SA102BAUL, SA103BAUL, SA102RAUL, SA103RAUL	
		BZ-B40B	12.00	SA202BAUL, SA203BAUL, SA202RAUL, SA203RAUL	
		B-43A	15.00	SA402BUL, SA403BUL, SA402RUL, SA403RUL, SA603RUL, SA803RUL	
Terminal Kits *4	Lug terminal *5	BZ-TA100	15.00	SA102BAUL, SA103BAUL, SA102RAUL, SA103RAUL	
		BZ-TA225	48.00	SA202BAUL, SA203BAUL, SA202RAUL, SA203RAUL	
		BZ-TA350	51.00	SA402BUL, SA403BUL, SA402RUL, SA403RUL (250-350A)	
		BZ-TA400	180.00	SA402BUL, SA403BUL, SA402RUL, SA403RUL (400A)	
		BZ-TA600	198.00	SA603RUL	
		BZ-TA700	387.00	SA803RUL (700A)	
		BZ-TA800	396.00	SA803RUL (800A)	
	Flat terminal	BZ-SU20B	24.00	SA52RCUL, SA53RCUL, SG53RCUL, EA102CUL, EA103CUL, EG102CUL, EG103CUL	
		BZ-SU25B	24.00	SA52RCUL, SA53RCUL, SG53RCUL, EA102CUL, EA103CUL, EG102CUL, EG103CUL	
		BZ-SU35B	27.00	SA102BAUL, SA103BAUL, SA102RAUL, SA103RAUL	
		BZ-SU50B	36.00	SA202BAUL, SA203BAUL, SA202RAUL, SA203RAUL	
		BZ-SU60B	51.00	SA402BUL, SA403BUL, SA402RUL, SA403RUL	
		BZ-SU70B-600	66.00	SA603RUL	
Handle Lock Covers		BZ6L10C	10.00	SA52RCUL, SA53RCUL, SG53RCUL, EA102CUL, EA103CUL, EG102CUL, EG103CUL	
		BZ-L30C	16.00	SA102BAUL, SA103BAUL, SA102RAUL, SA103RAUL	
		BZ-L40C	16.00	SA202BAUL, SA203BAUL, SA202RAUL, SA203RAUL	

Notes: *1 #: Voltage code, see page 17, 18.

*2 Terminal cover package includes 2pcs covers for line and load side.

*3 Insulation barrier package includes 4pcs barriers for line and load side.

*4 Terminal kit includes 3pcs terminals for line or load side.

*5 BZ-TA600 / TA700 / TA800 includes 3pcs lugs and 1pc terminal cover.

All prices are subject to change without notice.

■ **TERMS AND CONDITIONS OF SALE**

Prices

All prices are subject to change without notice. In the event of a price change, the effective date of the change will be the date on the new price or discount schedule sheet.

All quotations made or orders accepted after the effective date will be on the new basis.

Quotations

Written quotations are valid for 30 days from its date unless otherwise stated in the quotation. Verbal quotations expire the same day they are made.

Taxes

The price does not include any taxes. Buyer shall be responsible for the payment of all taxes applicable to.

Terms of payment

Terms of payment will be listed on the quotations.

Minimum orders

Orders amounting to less than \$150.00 net per order will be charged a \$50.00 handling fee.

Delivery

Delivery of products shall be FOB point of origin in the U.S. Seller shall determine the point of origin of shipment. All shipping and other charges shall be paid by Buyer.

Packing

Prices include standard domestic packing. Additional special packing costs required for export or Buyer requirements will be charged to Buyer.

Weight and Dimensions

The weight and dimensions of products described in this catalog are the best information available at the time of going to press. As Seller follows a policy of continuous product improvement, design changes may make this information obsolete. Information in this catalog is subject to change without notice.

Inspection and acceptance of products

Buyer is responsible for evaluating received products for final acceptance. All claims for shortage must be made within thirty (30) days of receipt of products.

Return / Cancellation

No product shall be returned or canceled unless return/order cancel authorization has been secured from Seller. All returns/cancellations must comply with Seller's then current Return / Cancellation policy.

Risk of Loss

Risk of loss or damage to the product shall pass to Buyer at the FOB point.

Catalog Disclaimer

The information contained in this catalog does not constitute an express or implied warranty of quality, any warranty of merchantability of fitness for a particular purpose is hereby disclaimed.

Since the Buyer's product information, specific use application, and conditions of use are all outside of Seller's control, it shall be the responsibility of the Buyer to determine the suitability of any of the products mentioned for the Buyer's application.

ONE YEAR LIMITED WARRANTY

The products identified in this catalog shall be sold pursuant to the terms and conditions identified in the Conditions of Sale issued by Fuji Electric with each order confirmation.

Except to the extent otherwise provided for in the Conditions of Sale issued by Fuji Electric, Fuji Electric warrants that the Fuji Electric products identified in this catalog shall be free from significant defects in materials and workmanship provided the products have not been: (1) repaired or altered by others than Fuji Electric; (2) subjected to negligence, accident, misuse, or damage by circumstances beyond Fuji Electric's control; (3) improperly operated, maintained or stored; or (4) used in other than normal use or service. This warranty shall apply only to defects appearing within one (1) year from the date of shipment by Fuji Electric, and in such case, only if such defects are reported to Fuji Electric within thirty (30) days of discovery by purchaser.

Such notice should be submitted in writing to Fuji Electric at Park 80 West, Plaza II, Saddle Brook, NJ 07663. The sole and exclusive remedy with respect to the above warranty whether such claim is based on warranty, contract, negligence, strict liability or

any other theory, is limited to the repair or replacement of such product or, at Fuji Electric's option, reimbursement by Fuji Electric of the purchase price paid to Fuji Electric for the particular product. ***FUJI ELECTRIC DOES NOT MAKE ANY OTHER REPRESENTATIONS OR WARRANTIES, WHETHER ORAL OR IN WRITING, EXPRESSED OR IMPLIED, INCLUDING BUT NOT LIMITED TO ANY WARRANTY REGARDING MERCHANTABILITY OR FITNESS FOR A PARTICULAR PURPOSE.***

Except as provided in the Conditions of Sale, no agent or representative of Fuji Electric is authorized to modify the terms of this Warranty in writing or orally. In no event shall Fuji Electric be liable for special, indirect or consequential damages, including but not limited to, loss of use of the product, other equipment, plant, power system, loss of profits or revenues, cost of capital, or claims against the purchaser or user by its customers resulting from the use of information, recommendations and descriptions contained herein. Purchaser agrees to pass on to its customers and users, in writing at the time inquiries and orders are received by buyer, Fuji Electric's warranty as set forth above.

Your local authorized stocking distributor is:

FUJI ELECTRIC CO., LTD.

Gate City Osaki, East Tower
11-2 Osaki 1-chome
Shinagawa-ku, Tokyo 141-0032, Japan
Phone: Tokyo 3-5435-7136
Fax: Tokyo 3-5435-7457
Website: www.fujielectric.co.jp

**FUJI ELECTRIC CORP.
OF AMERICA**

Park 80 West Plaza II
Saddle Brook, NJ 07663
Phone: 201-712-0555
Fax: 201-368-8258
Website: www.fujielectric.com

INFORMATION IN THIS CATALOG IS SUBJECT TO CHANGE WITHOUT NOTICE.

Printed in USA 2003/5M

