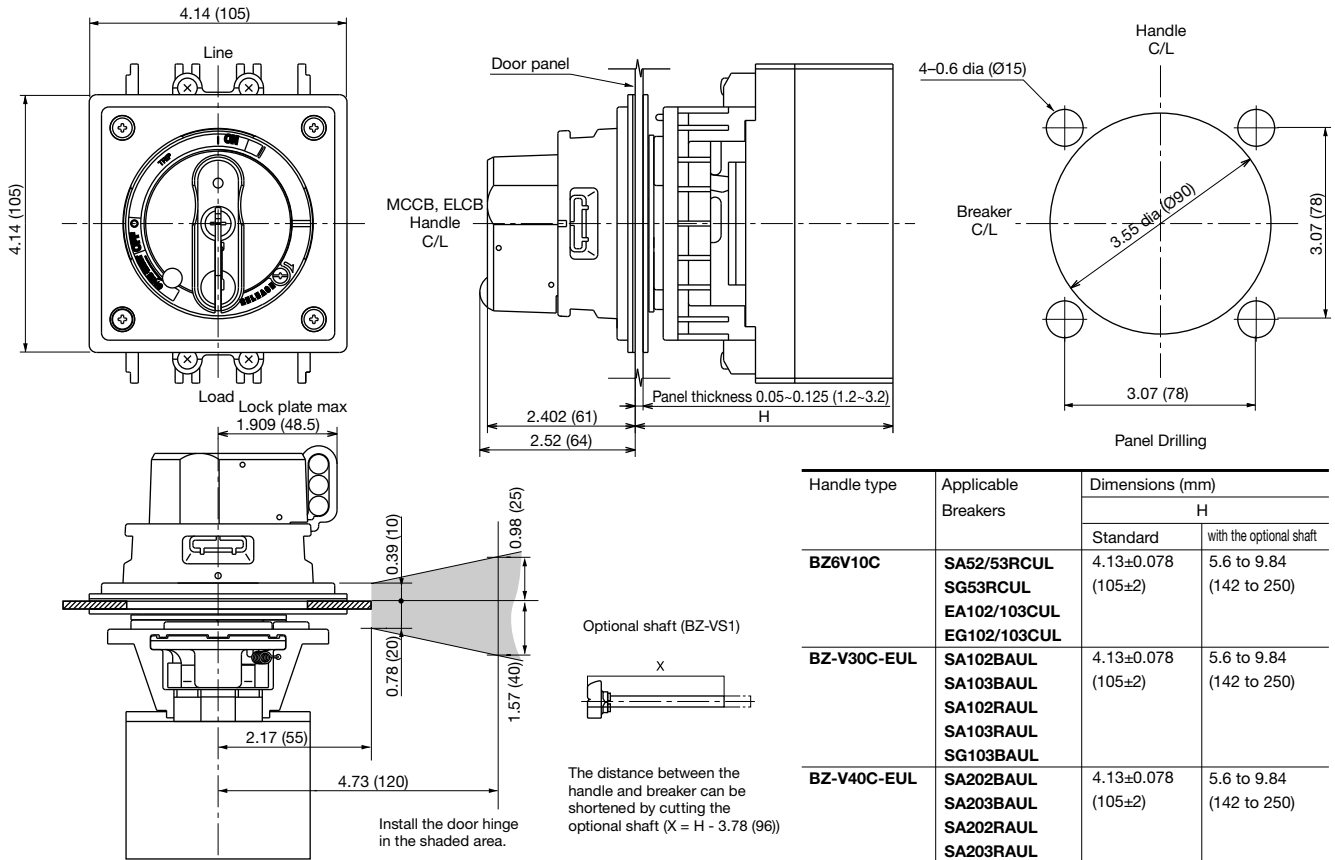


■ Operating Handles Dimensions Unit: inch (mm)

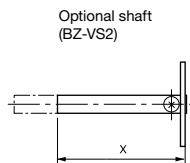
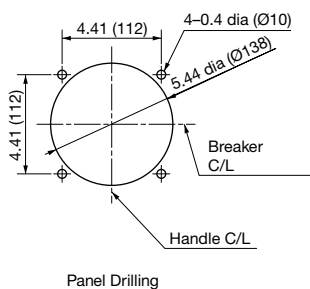
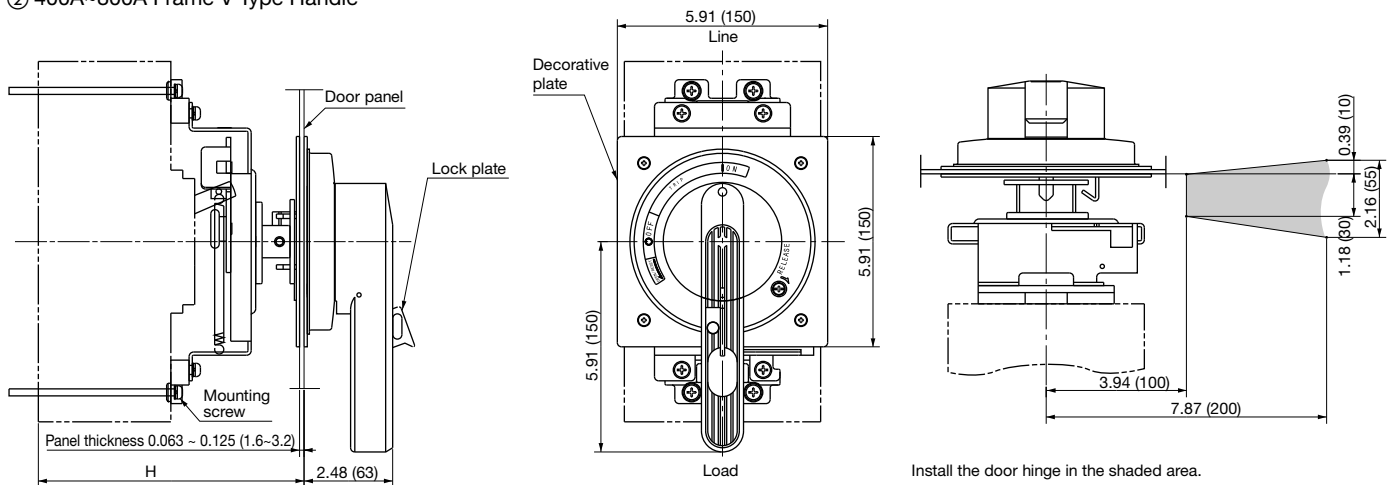
① 50A~225A Frame V Type Handle



Handle type	Applicable Breakers	Dimensions (mm)	
		Standard	H with the optional shaft
BZ6V10C	SA52/53RCUL	4.13±0.078 (105±2)	5.6 to 9.84 (142 to 250)
	SG53RCUL		
	EA102/103CUL		
	EG102/103CUL		
BZ-V30C-EUL	SA102BAUL	4.13±0.078 (105±2)	5.6 to 9.84 (142 to 250)
	SA103BAUL		
	SA102RAUL		
	SA103RAUL		
BZ-V40C-EUL	SA202BAUL	4.13±0.078 (105±2)	5.6 to 9.84 (142 to 250)
	SA203BAUL		
	SA202RAUL		
	SA203RAUL		
	SG203BAUL		

Note: Handle protection structure IP54 (IEC529, JIS C0920)

② 400A~800A Frame V Type Handle



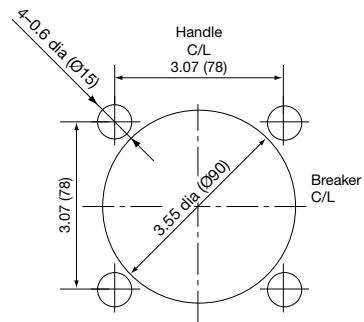
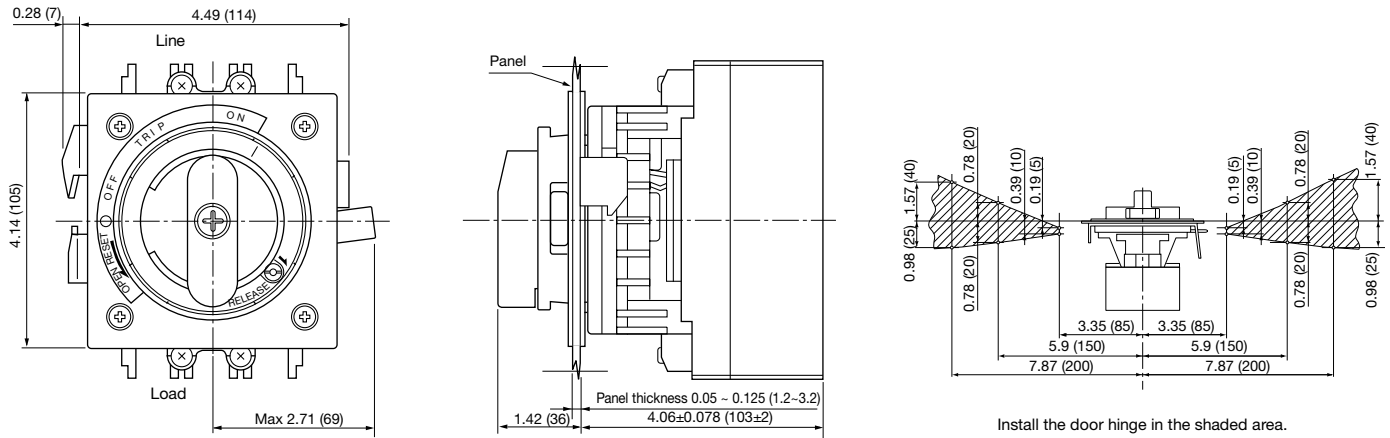
The distance between the handle and breaker can be shortened by cutting the optional shaft (X = H - 6.36 (161.5))

Handle type	Applicable Breakers	Dimensions (mm)	
		Standard	H with the optional shaft
BZ-V60C-EUL	SA402BUL	7.48±0.078 (190±2)	7.96 to 9.84 (202 to 250)
	SA403BUL		
	SA402RUL		
	SA403RUL		
BZ-V70C-E	SA603RUL, SA803RUL	7.48±0.078 (190±2)	7.96 to 9.84 (202 to 250)

Note: Handle protection structure IP54 (IEC529, JIS C0920)

■ Operating Handles Dimensions Unit: inch (mm)

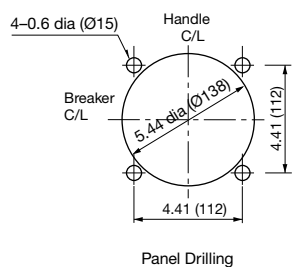
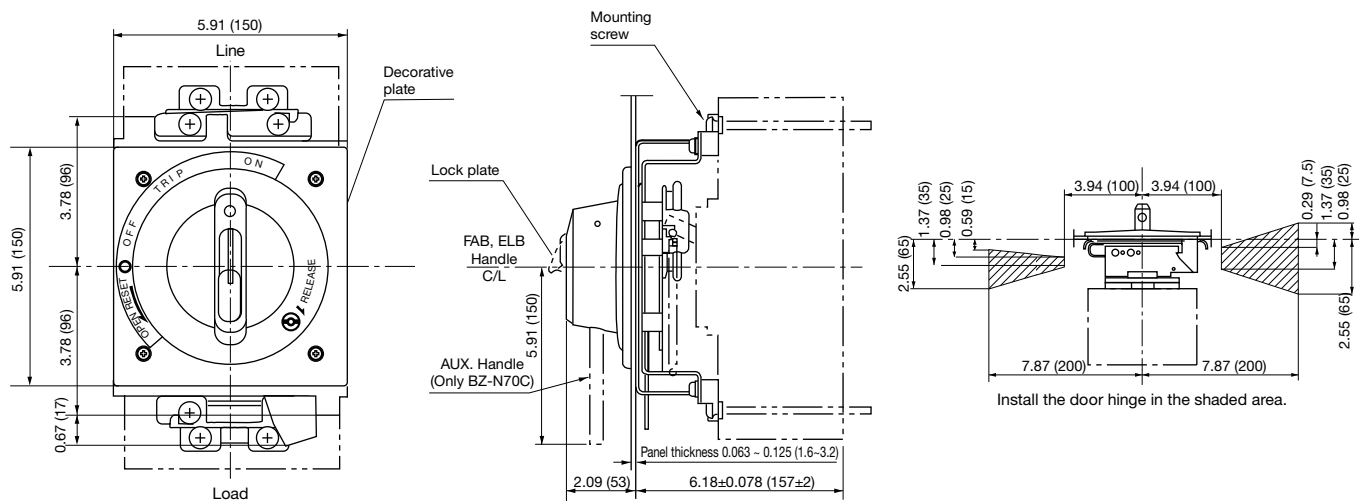
① 50A~225A Frame N Type Handle (Dust proof packing: BZ-NP-1C)



Handle type	Applicable Breakers	Mounting screw
BZ6N10C	SA52RCUL EA102CUL	#8-32X3 ¹ / ₂ (M4X85)
	SA53RCUL EA103CUL	
	SG53RCUL EG102CUL EG103CUL	
BZ-N30C	SA102BAUL SG103BAIL	#8-32X3 ¹ / ₂ (M4X85)
	SA103BAUL	
	SA102RAUL	
	SA103RAUL	
BZ-N40C	SA202BAUL SG203BAUL	#8-32X3 ¹ / ₂ (M4X85)
	SA203BAUL	
	SA202RAUL	
	SA203RAUL	

Note: When using a Dust-proof packing, Handle protection structure is IP 50 (IEC 529, JIS C0920)

② 400A ~ 800A Frame N Type Handle (Dust proof packing: BZ-NP-2)



Handle type	Applicable Breakers	Mounting screw
BZ-N60C	SA402BUL	1/4-20X4 ¹ / ₂ (M6X110)
	SA403BUL	
	SA402RUL	
	SA403RUL	
BZ-N70C	SA603RUL, SA803RUL	

Note: When using a Dust-proof packing, Handle protection structure is IP 50 (IEC 529, JIS C0920)