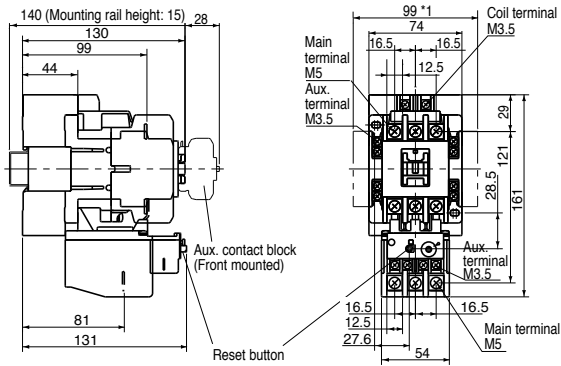


"ODYSSEY SERIES" Motor Starters, Featuring Supermagnet Technology (AC or DC Operated)

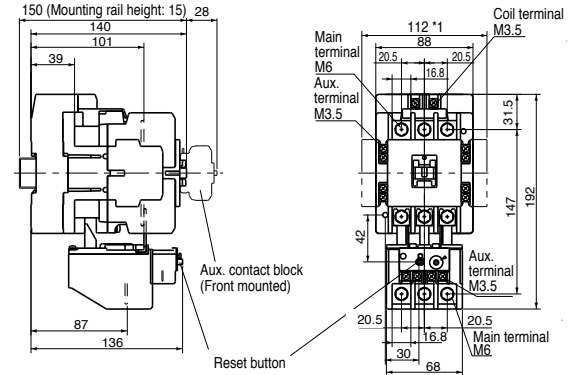
STARTERS WITH "SUPER MAGNET" OPTION/OPEN TYPE Approximate Dimensions, mm

3NW0T0#*22K/SE
3NW1Q0#*22K/SE



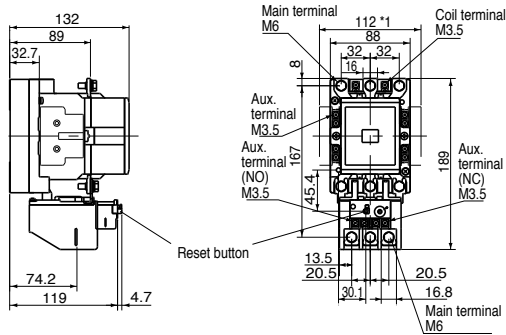
* 1 Aux. contact block (Side mounted) Weight: 1.0kg

3NW2F0#*22K/SE
3NW2H0#*22K/SE



* 1 Aux. contact block (Side mounted) Weight: 1.5kg

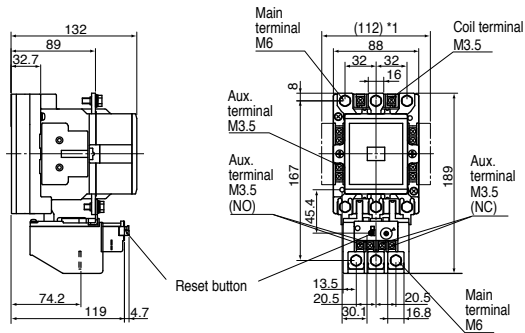
3NW2T0#*22K/SE



* 1 Aux. contact block (Side mounted) Weight: 2.1kg

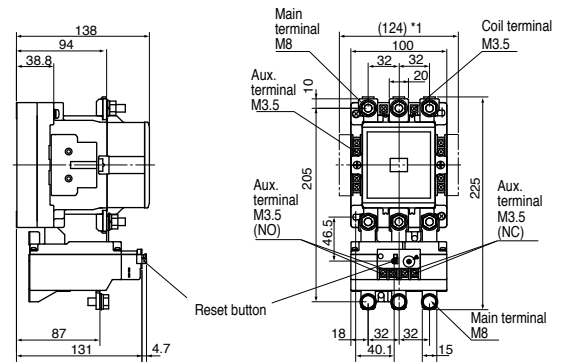
STARTERS/OPEN TYPE Approximate Dimensions, mm

3NW3F0#*22K



* 1 Aux. contact block (Side mounted) Weight: 2.1kg

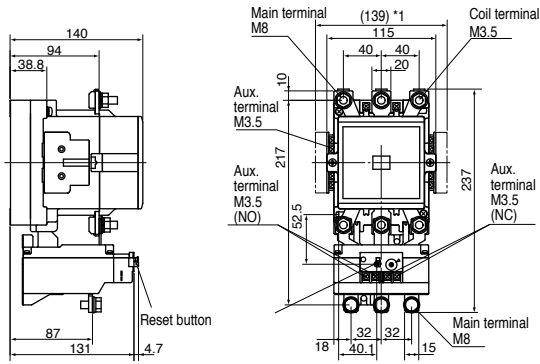
3NW3H0#*22K



* 1 Aux. contact block (Side mounted) Weight: 3kg

"ODYSSEY SERIES" Motor Starters, Featuring Supermagnet Technology (AC or DC Operated)

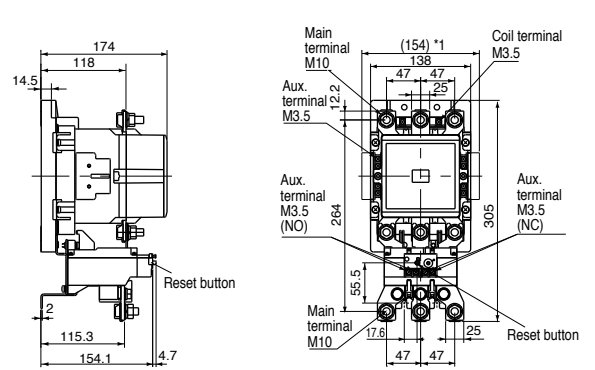
3NW4F0#*22K



* 1 Aux. contact block (Side mounted)

Weight: 3.3kg

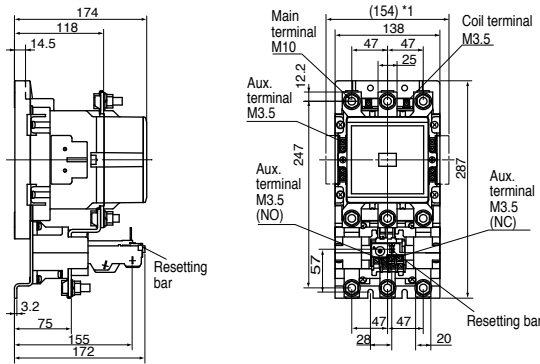
3NW4Q0#*22K



* 1 Aux. contact block (Side mounted)

Weight: 6.1kg

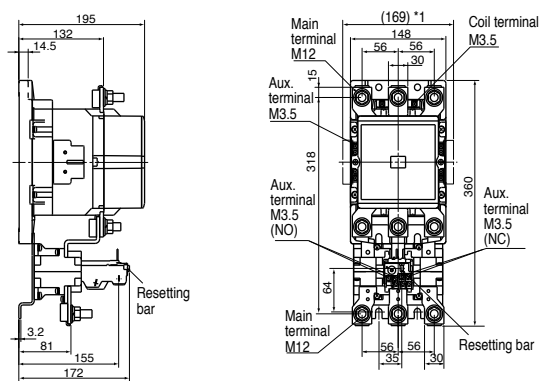
3NW4H0#*22K



* 1 Aux. contact block (Side mounted)

Weight: 6.8kg

**3NW5F0#*22K
3NW5H0#*22K**

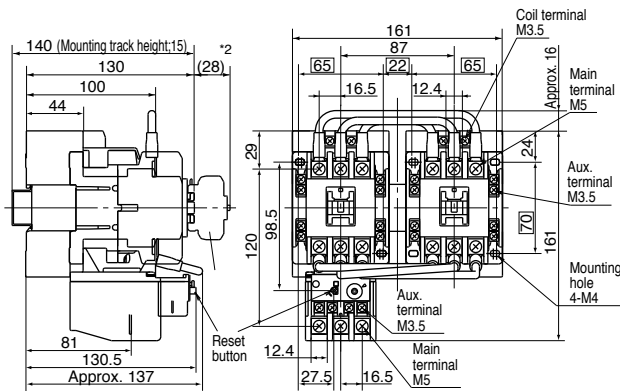


* 1 Aux. contact block (Side mounted)

Weight: 10.1kg

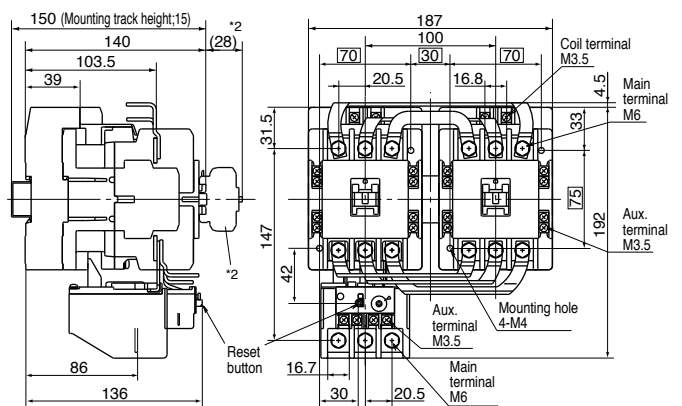
REVERSING STARTERS WITH "SUPER MAGNET" OPTION/OPEN TYPE Approximate Dimensions, mm

**3NX0T0#*22K/SE
3NX1Q0#*22K/SE**



* 2 Aux. contact block. Front mounted (If Used)

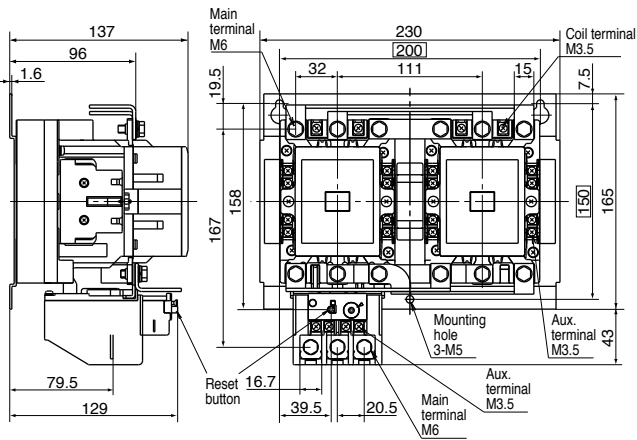
**3NX2F0#*22K/SE
3NX2H0#*22K/SE**



* 2 Aux. contact block. Front mounted (If Used)

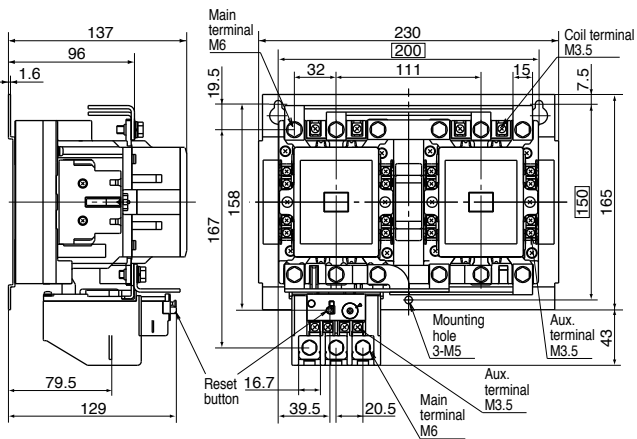
"ODYSSEY SERIES" Motor Starters, Featuring Supermagnet Technology (AC or DC Operated)

3NX2T0#*22K/SE

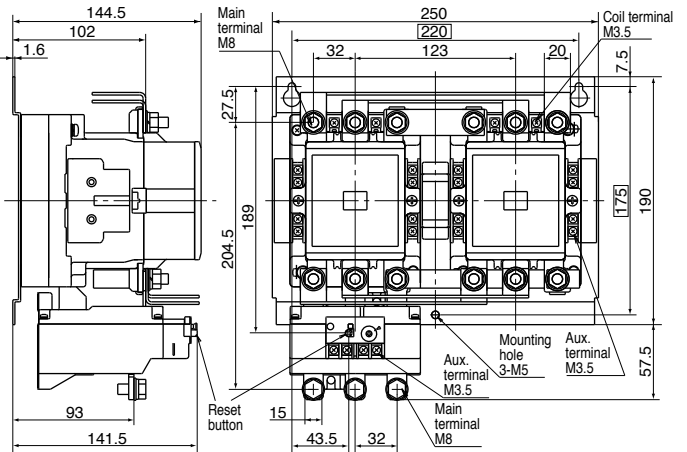


■ REVERSING STARTERS/OPEN TYPE Approximate Dimensions, mm

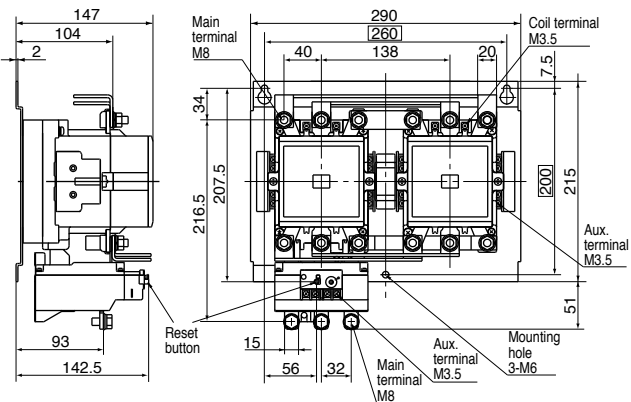
3NX3F0#*22K



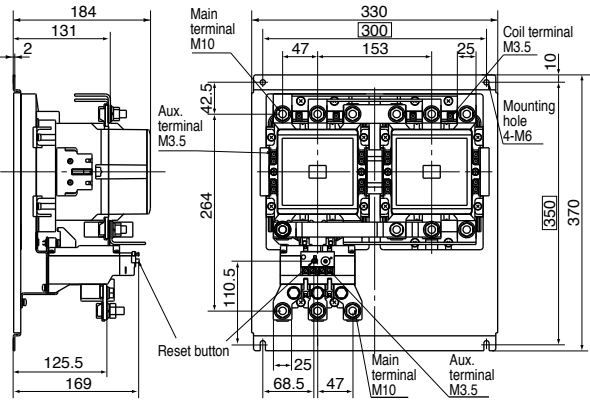
3NX3H0#*22K



3NX4F0#*22K

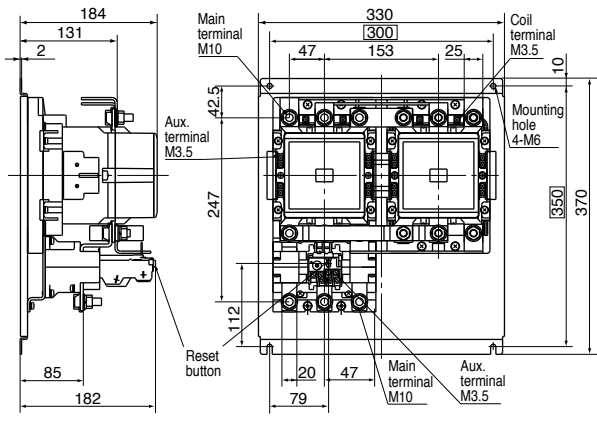


3NX4Q0#*22K



"ODYSSEY SERIES" Motor Starters, Featuring Supermagnet Technology (AC or DC Operated)

3NX4H0#*22K



3NX5F0#*22K
3NX5H0#*22K

