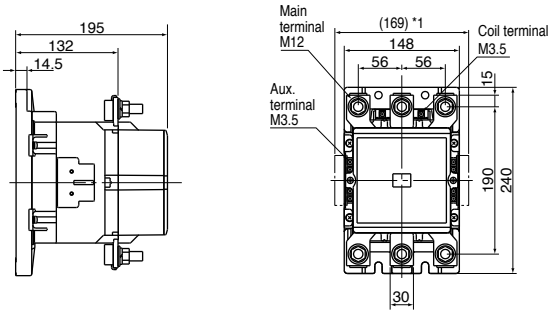




# "ODYSSEY SERIES" Contactors, Featuring Supermagnet Technology (AC or DC Operated)

3NC5F0#22  
3NC5H0#22

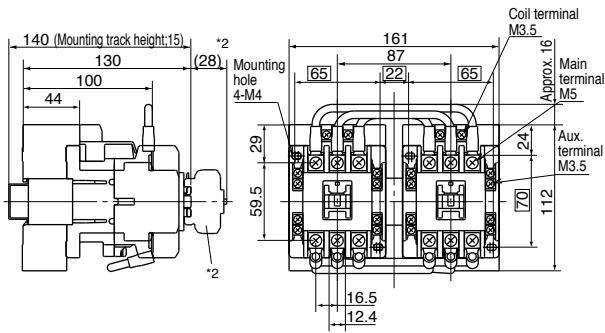


\* 1 Aux. contact block (Side mounted)

Weight: 7.8kg

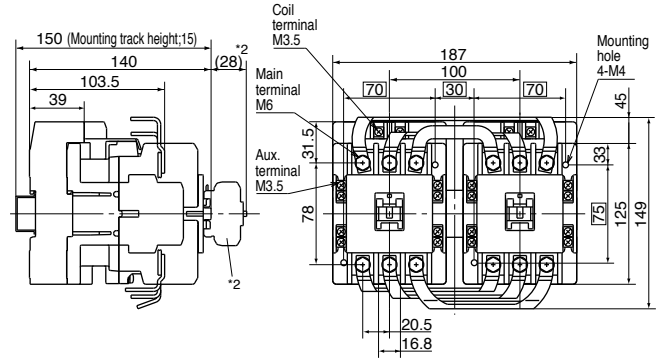
## REVERSING CONTACTORS WITH "SUPER MAGNET" OPTION/OPEN TYPE Approximate Dimensions, mm

3ND0T0#22/SE  
3ND1Q0#22/SE



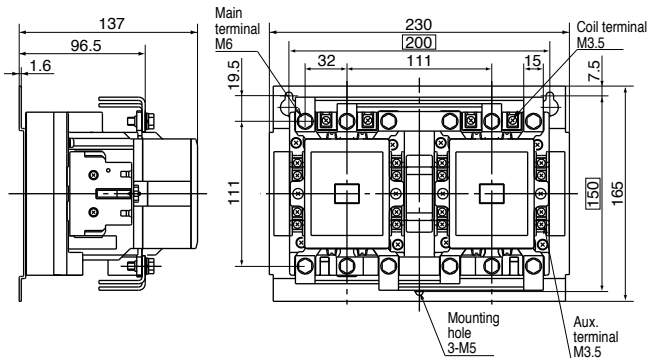
\* 2 Aux. contact block. Front mounted (If Used)

3ND2F0#22/SE  
3ND2H0#22/SE



\* 2 Aux. contact block. Front mounted (If Used)

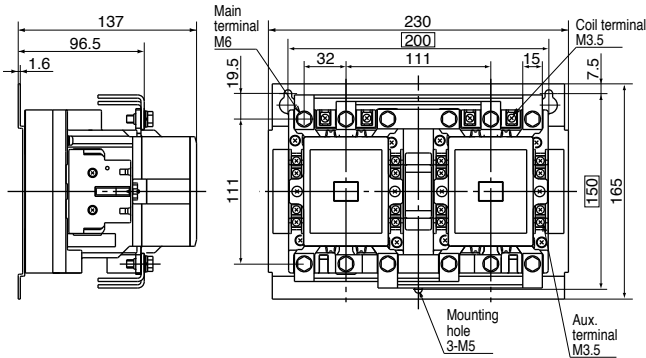
3ND2T0#22/SE



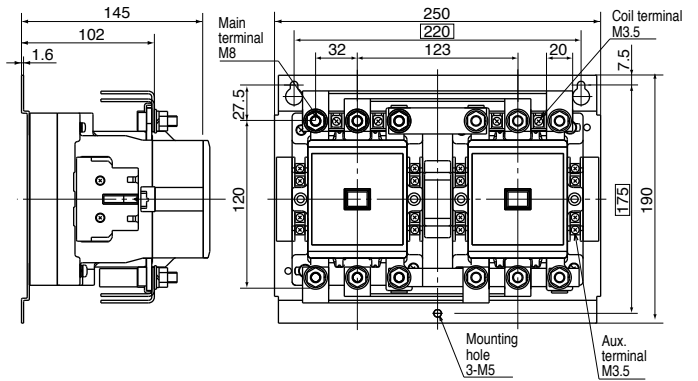
# "ODYSSEY SERIES" Contactors, Featuring Supermagnet Technology (AC or DC Operated)

## REVERSING CONTACTORS/OPEN TYPE Approximate Dimensions, mm

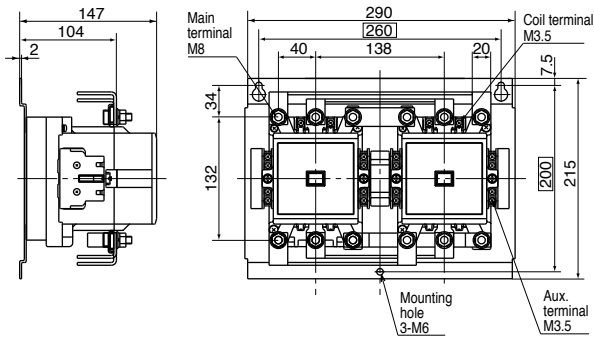
**3ND3F0#22**



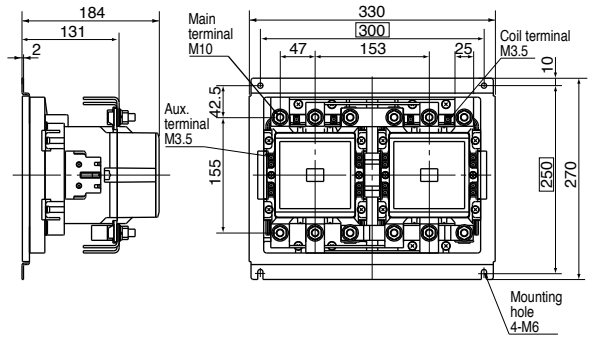
**3ND3H0#22**



**3ND4F0#22**



**3ND4Q0#22  
3ND4H0#22**



**3ND5F0#22**

**3ND5H0#22**

