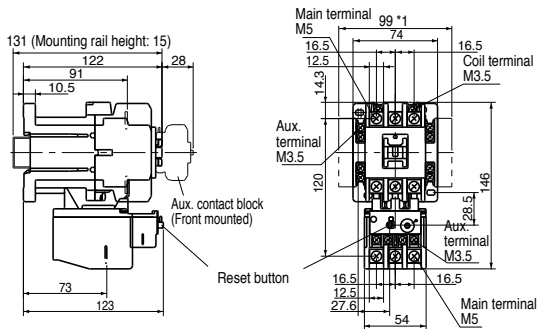


# "ODYSSEY SERIES" Conventional DC Coil Motor Starters

## ■ DC OPERATED STARTERS/OPEN TYPE Approximate Dimensions, mm

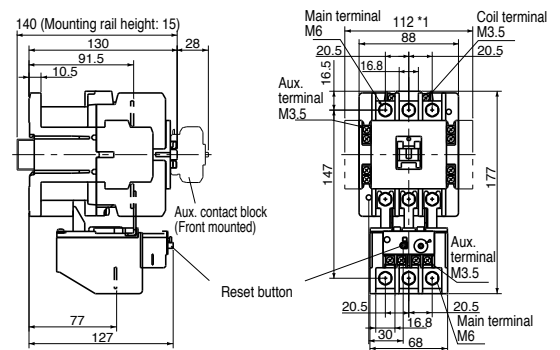
3GW0T0#\*22K  
3GW1Q0#\*22K



\* 1 Aux. contact block (Side mounted)

Weight: 1kg

3GW2F0#\*22K  
3GW2H0#\*22K

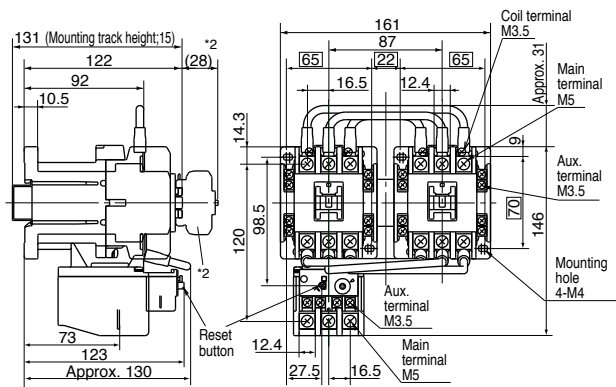


\* 1 Aux. contact block (Side mounted)

Weight: 1.6kg

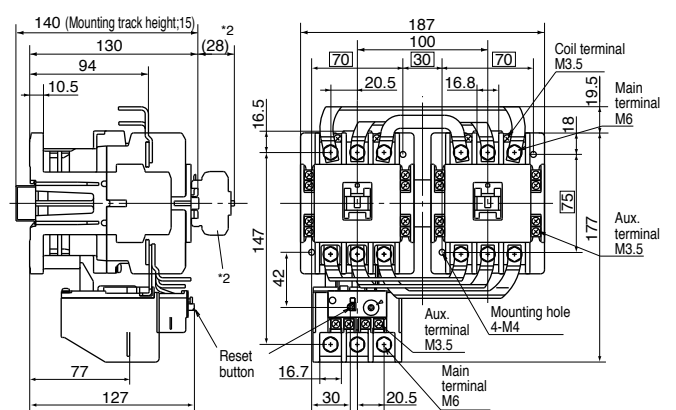
## ■ DC OPERATED REVERSING STARTERS/OPEN TYPE Approximate Dimensions, mm

3GX0T0#\*22K  
3GX1Q0#\*22K



\* 2 Aux. contact block. Front mounted (If Used)

3GX2F0#\*22K  
3GX2H0#\*22K



\* 2 Aux. contact block. Front mounted (If Used)