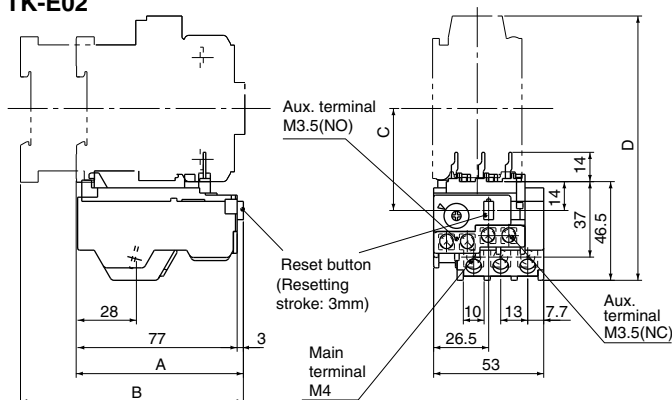


Thermal overload relays TK-E series

Dimensions

■ Dimensions, mm

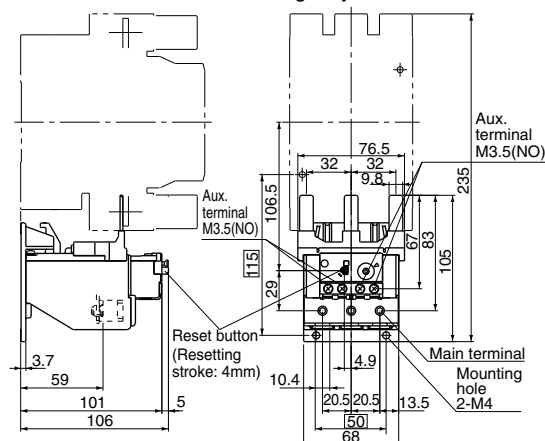
TK-E02



| Contactor | A | B | C | D |
|------------------|------|-------|----|-------|
| SC-E02 to 05 | 80.5 | - | 49 | 127.5 |
| SC-E02/G to 05/G | - | 107.5 | 49 | 127.5 |

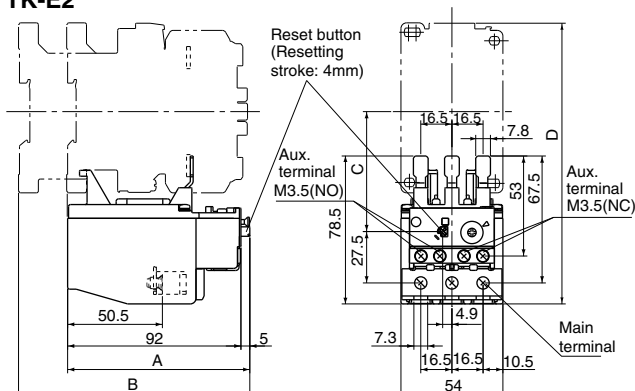
Mass: 0.13kg

TK-E5 On-contactor mounting only



Mass: 0.37kg

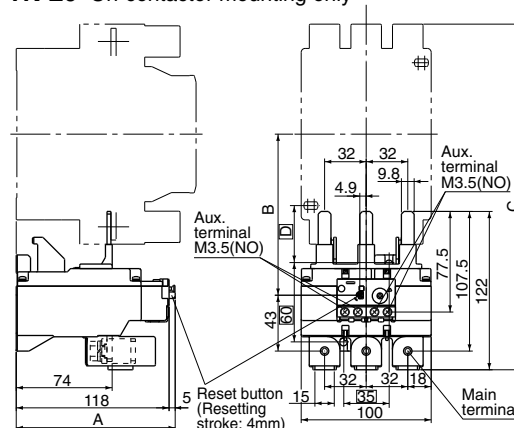
TK-E2



| Contactor | A | B | C | D |
|------------------|----|-----|------|-----|
| SC-E1 to E2S | 97 | - | 63.5 | 149 |
| SC-E1/G to E2S/G | - | 123 | 63.5 | 149 |

Mass: 0.25kg

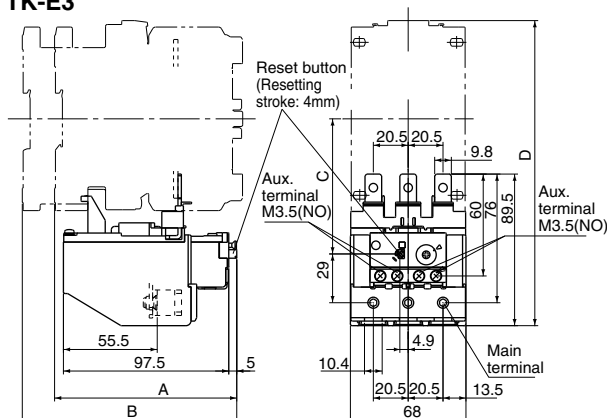
TK-E6 On-contactor mounting only



| Contactor | A | B | C | D |
|-----------|-----|-----|-------|----|
| SC-E6 | 123 | 124 | 266.5 | 45 |
| SC-E7 | 123 | 129 | 274 | 50 |

Mass: 0.71kg

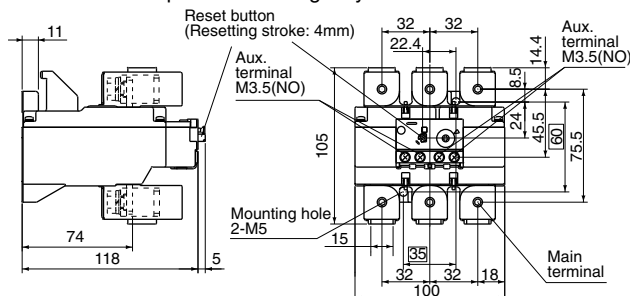
TK-E3



| Contactor | A | B | C | D |
|--------------|-------|-------|------|-----|
| SC-E3, E4 | 107.5 | - | 79.5 | 180 |
| SC-E3/, E4/G | - | 126.5 | 79.5 | 180 |

Mass: 0.34kg

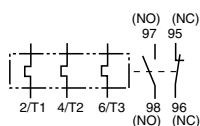
TK-E6H For separate mounting only



Mass: 0.82kg

■ Wiring diagrams

3-heater element



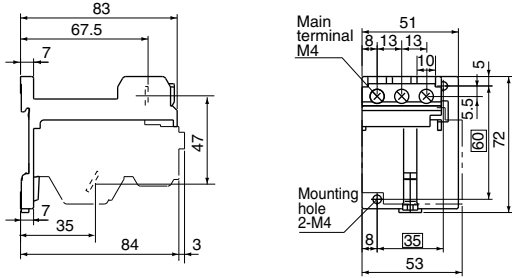
Thermal overload relays TK-E series

Dimensions

■ Dimensions, mm

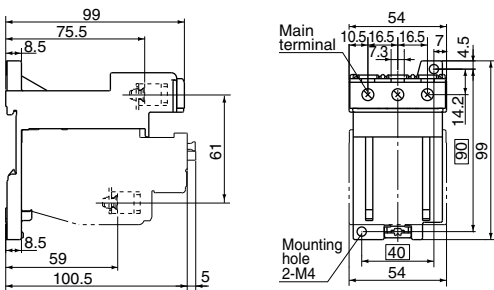
• Base units for separate mounting

SZ-HCE



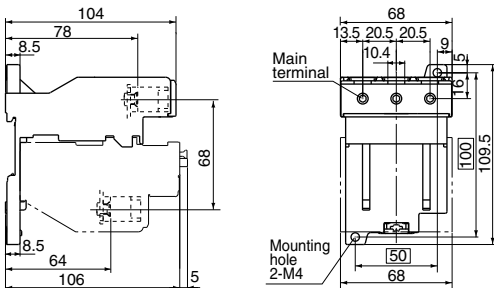
Mass: 55g

SZ-HDE



Mass: 0.1kg

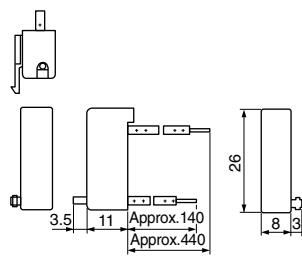
SZ-HEE



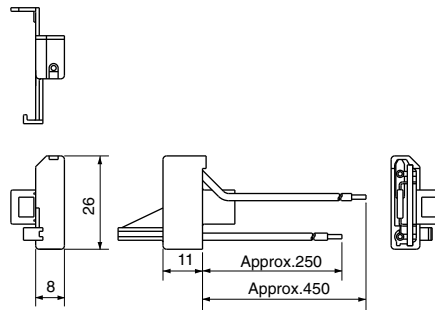
Mass: 0.15kg

• Trip indicators

SZ-L100, L200

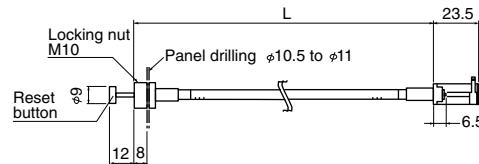


SZ-L100N2, L200N2



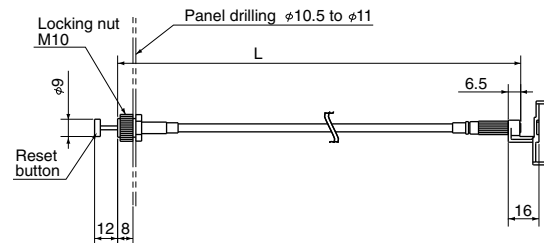
• Reset release button

SZ-R1, R2, R3



| Type | L |
|-------|-----|
| SZ-R1 | 300 |
| SZ-R2 | 500 |
| SZ-R3 | 700 |

SZ-R4, R5, R6



| Type | L |
|-------|-----|
| SZ-R4 | 300 |
| SZ-R5 | 500 |
| SZ-R6 | 700 |

• Dial cover

SZ-DA

