


Combination Starters


Optional accessories

Optional accessories

Link modules

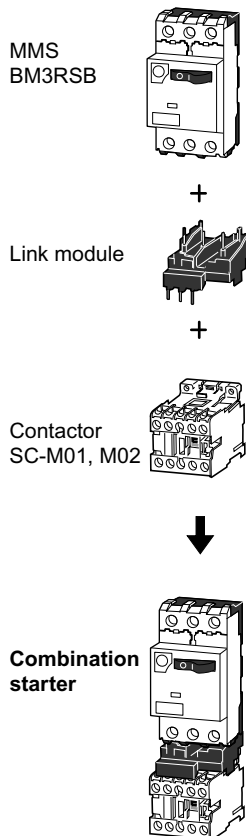
Description	Applicable MMS	Applicable magnetic contactor	Operating coil	Type	Mass (g)
 <p>The link module connects the manual motor starter and magnetic contactor electrically and mechanically.</p> <p>(No.KK01-153)</p>	BM3R	SC-M01, M02	AC	BZ0LRC09AA	25
		SC-M01/G, M02/G	DC	BZ0LRC09AA	25
		SC-E02, E03, E04, E05	AC	BZ0LRE22AA	25
		SC-E02/G, E03/G, E04/G, E05/G	DC	BZ0LRE22GA	35
		SC-E1	AC	BZ0LRE32AA	45
		SC-E1/G	DC	BZ0LRE32GA	60
	BM3V	SC-E1, E2, E2S	AC	BZ0LVE51AA	45
		SC-E1/G, E2/G, E2S/G	DC	BZ0LVE51GA	60
		SC-E3	AC	BZ0LVE65AA	65
		SC-E3/G	DC	BZ0LVE65GA	80

Base plates

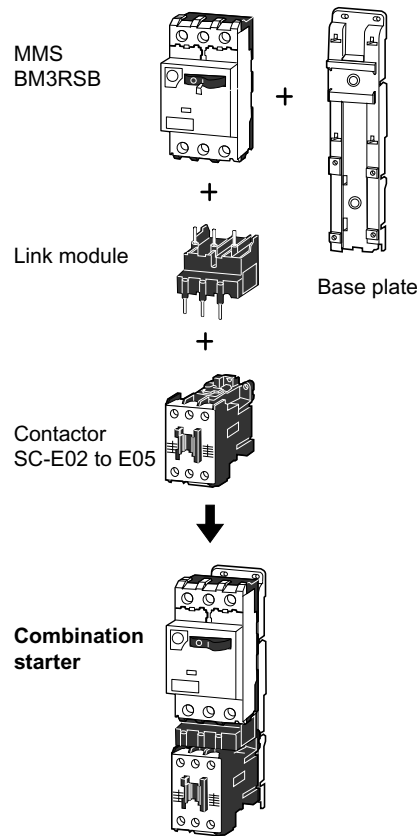
Description	Applicable MMS	Applicable magnetic contactor	Operating coil	Type	Mass (g)
 <p>The base plate is a plastic plate to which the combination starter is mounted. The base plate can then be mounted to a panel with screws or to a DIN rail.</p> <p>(No.KK01-155)</p>	BM3R	SC-E02, E03, E04, E05	AC	BZ0BPPE22A	100
		SC-E02/G, E03/G, E04/G, E05/G	DC	BZ0BPPE22A	100
		SC-E1	AC	BZ0BPPE32A	160
		SC-E1/G	DC	BZ0BPPE32A	160
	BM3V	SC-E1, E2, E2S	AC	BZ0BPVE51A	160
		SC-E1/G, E2/G, E2S/G	DC	BZ0BPVE51A	160
		SC-E3	AC	BZ0BPVE65A	195
		SC-E3/G	DC	BZ0BPVE65A	195

Combination starter configurations

BM3RSB+SC-M01, M02



BM3RSB+SC-E02 to E05



BM3RHB+SC-E04, E05

