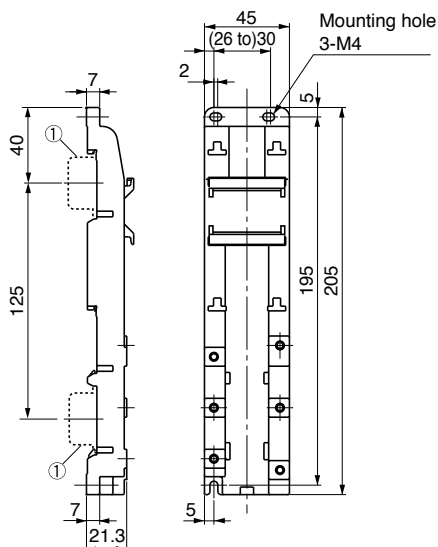


Combination Starters Dimensions

■ Dimensions, mm

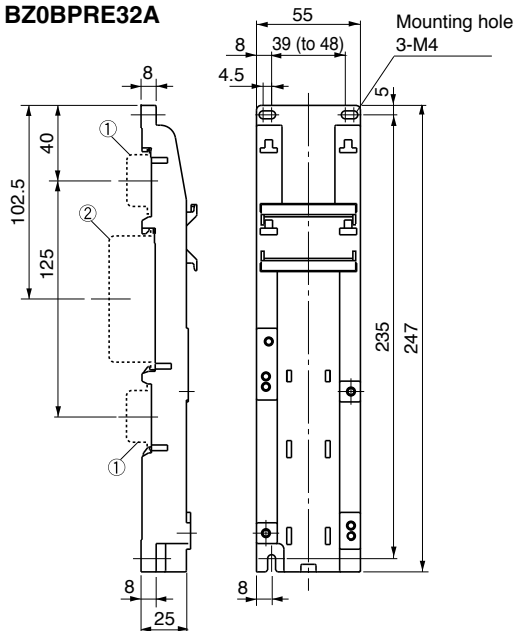
• Base plates BZ0BPRE22A



① 35mm wide rail (height 15mm) x 2

Base plate type	Applicable type	
	MMS	Contactor
BZ0BPRE22A	BM3RSB	SC-E02, E03, E04, E05
	BM3RHB	E02/G, E03/G, E04/G, E05/G

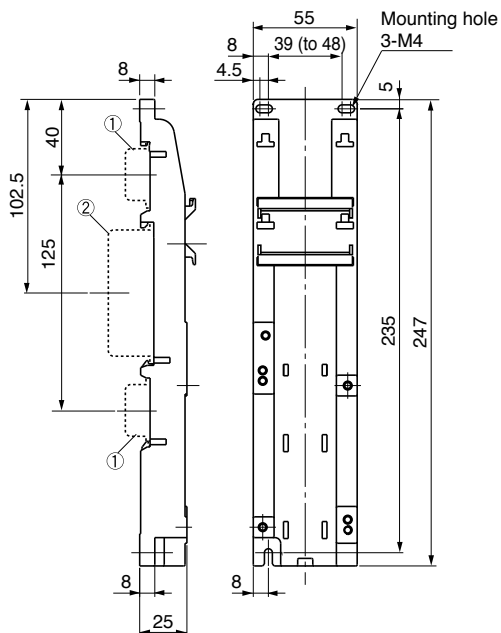
BZ0BPRE32A



① 35mm wide rail (height 15mm) x 2
② 75mm wide rail (height 25mm) x 1

Base plate type	Applicable type	
	MMS	Contactor
BZ0BPRE32A	BM3RSB	SC-E1, E1/G
	BM3RHB	

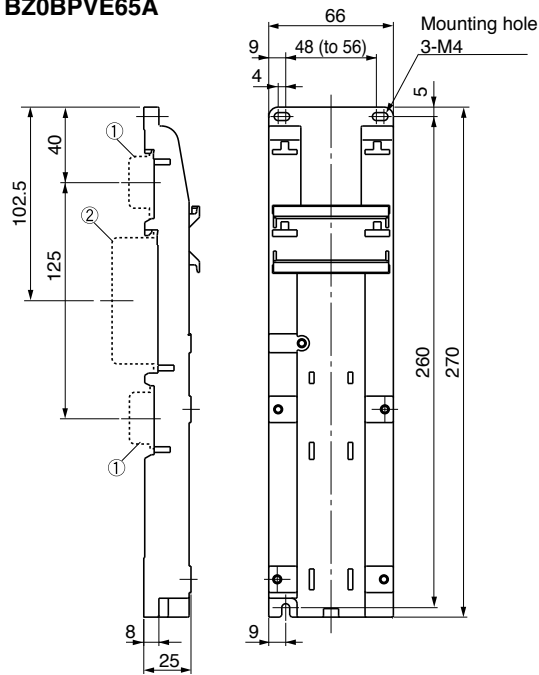
BZ0BPVE51A



① 35mm wide rail (height 15mm) x 2
② 75mm wide rail (height 25mm) x 1

Base plate type	Applicable type	
	MMS	Contactor
BZ0BPVE51A	BM3VSB	SC-E1, E2, E2S,
	BM3VHB	E1/G, E2/G, E2S/G

BZ0BPVE65A



① 35mm wide rail (height 15mm) x 2
② 75mm wide rail (height 25mm) x 1

Base plate type	Applicable type	
	MMS	Contactor
BZ0BPVE65A	BM3VSB	SC-E3, E3/G
	BM3VHB	

Combination Starters

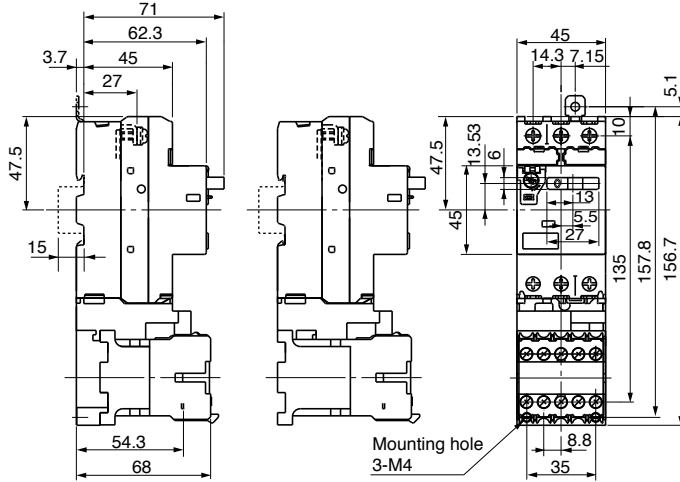
Dimensions

■ Dimensions, mm

• Combination

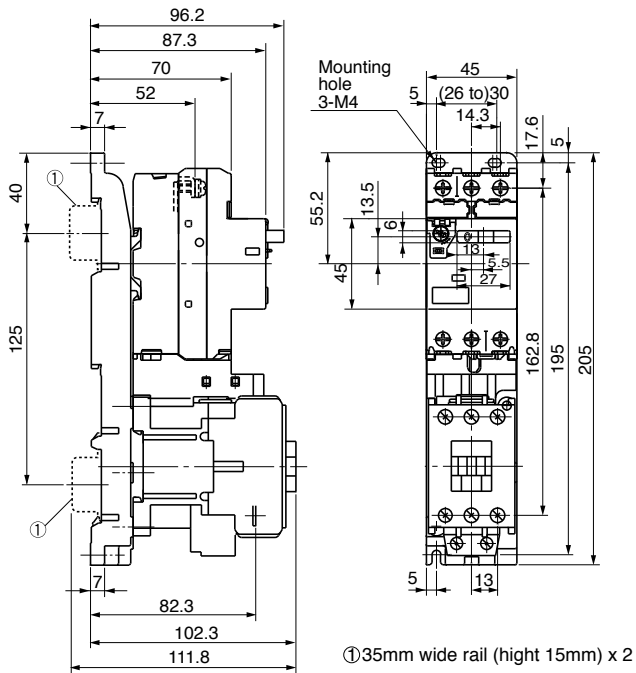
BM3RSB + SC-M01, M02

+ SC-M01/G, SC-M02/G



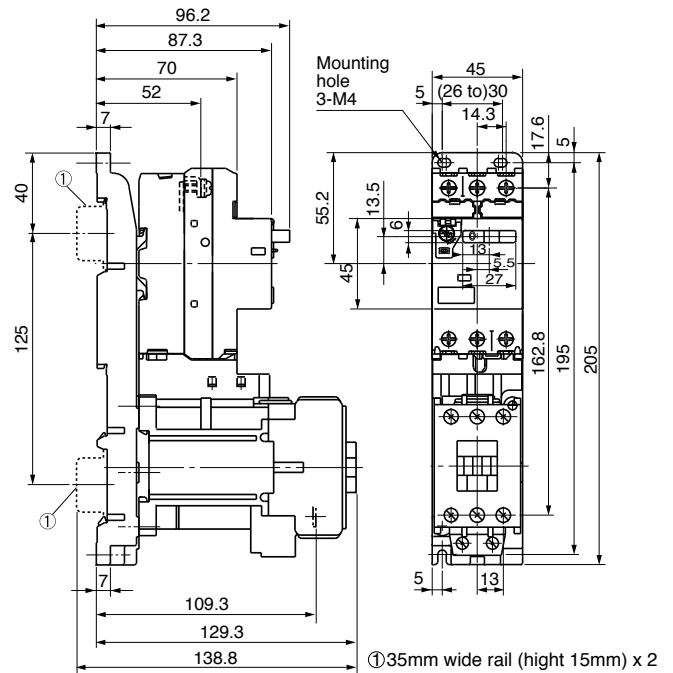
MMS	Contactors	Link module	Mass(g)
BM3RSB	SC-M01, M02	BZ0LRC09AA	540
	SC-M01/G, SC-M02/G	BZ0LRC09AA	600

BM3RSB + SC-E02 to E05



MMS	Contactors	Link module	Base plate	Mass (g)
BM3RSB	SC-E02, E03, E04, E05	BZ0LRE22AA	BZ0BPPE22A	820

BM3RSB + SC-E02/G to E05/G

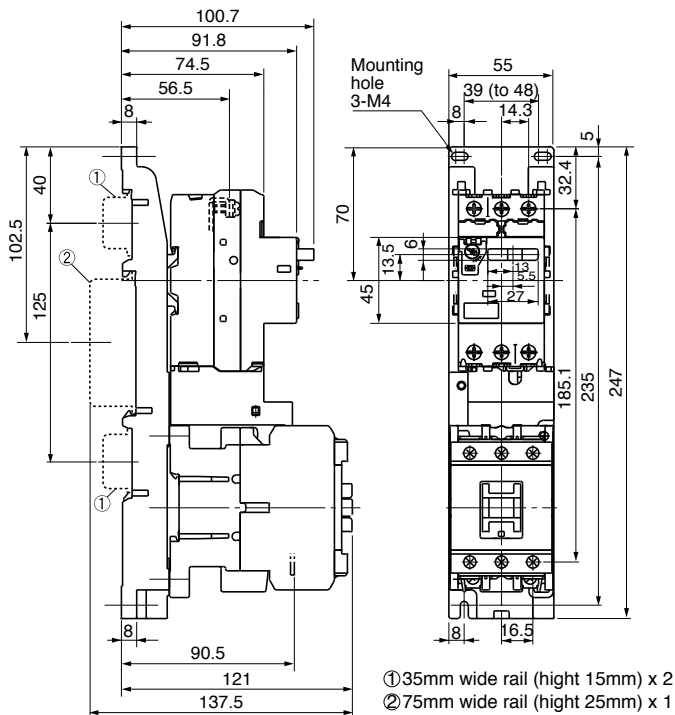


MMS	Contactors	Link module	Base plate	Mass (g)
BM3RSB	SC-E02/G, E03/G, E04/G, E05/G	BZ0LRE22GA	BZ0BPPE22A	1,065

Combination Starters Dimensions

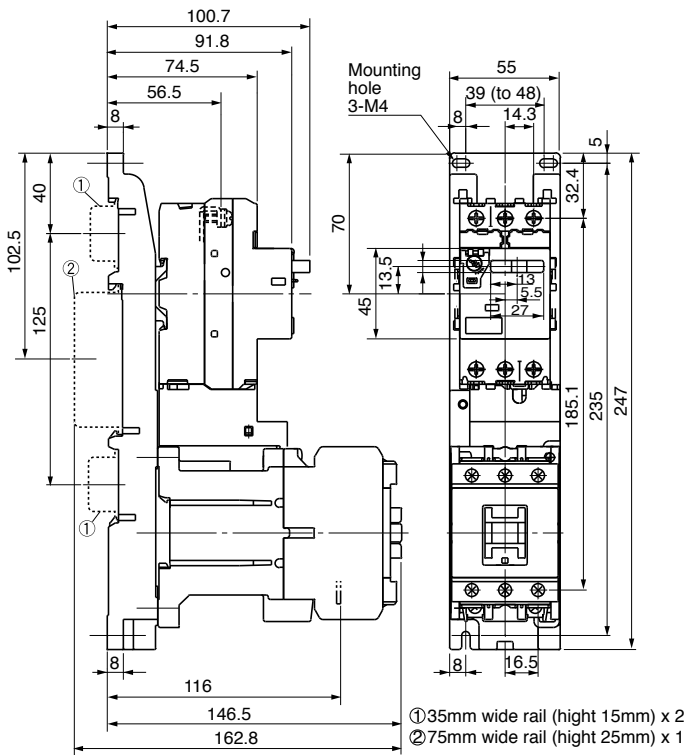
■ Dimensions, mm

• Combination BM3RSB + SC-E1



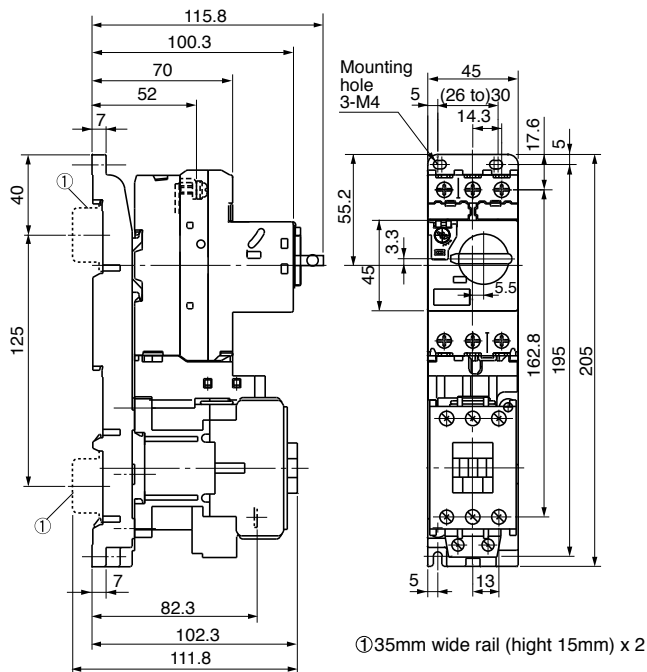
MMS	Contactors	Link module	Base plate	Mass (g)
BM3RSB	SC-E1	BZ0LRE32AA	BZ0BPRE32A	1,135

BM3RSB + SC-E1/G



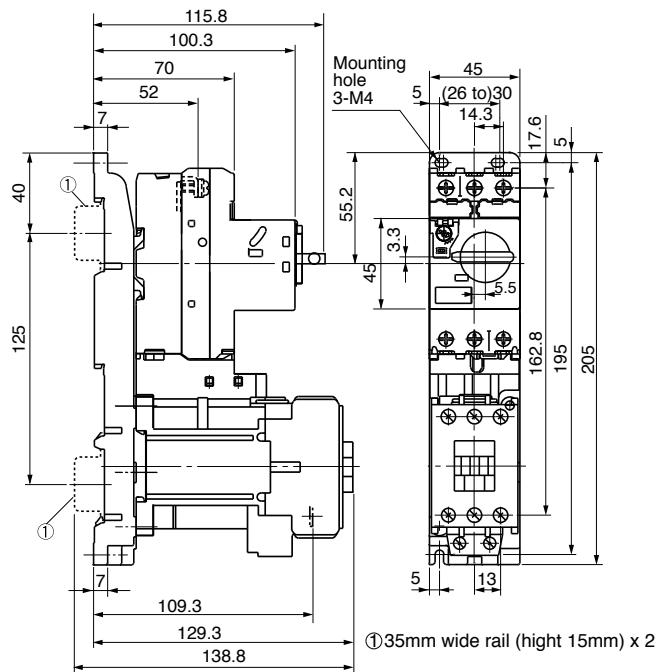
MMS	Contactors	Link module	Base plate	Mass (g)
BM3RSB	SC-E1/G	BZ0LRE32GA	BZ0BPRE32A	1,360

BM3RHB + SC-E02 to E05



MMS	Contactors	Link module	Base plate	Mass (g)
BM3RHB	SC-E02, E03, E04, E05	BZ0LRE22AA	BZ0BPRE22A	840

BM3RHB + SC-E02/G to E05/G



MMS	Contactors	Link module	Base plate	Mass (g)
BM3RHB	SC-E02/G, E03/G, E04/G, E05/G	BZ0LRE22GA	BZ0BPRE22A	1,085

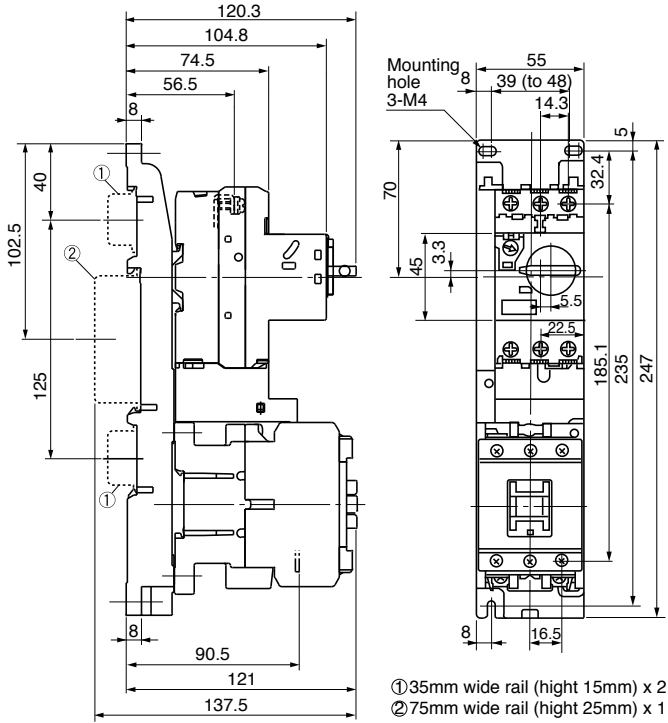
Combination Starters

Dimensions

■ Dimensions, mm

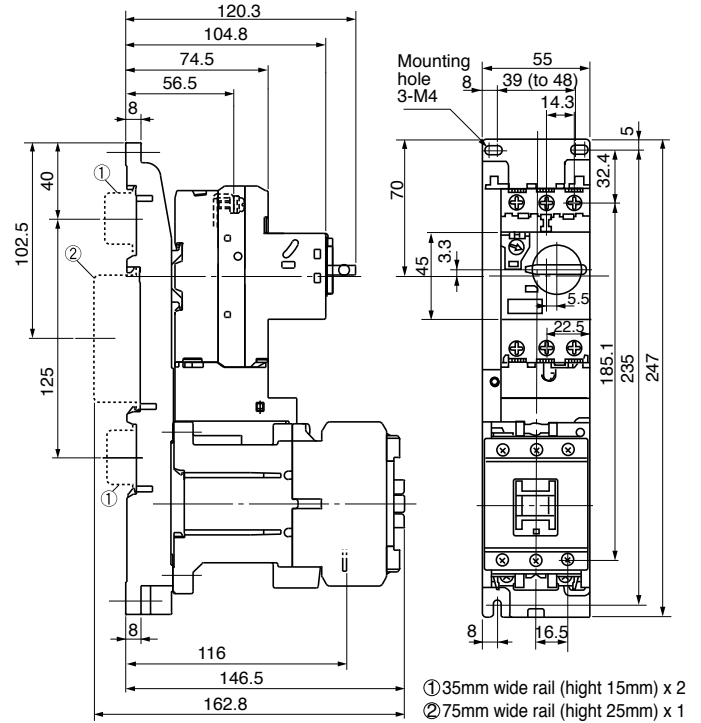
• Combination

BM3RHB + SC-E1



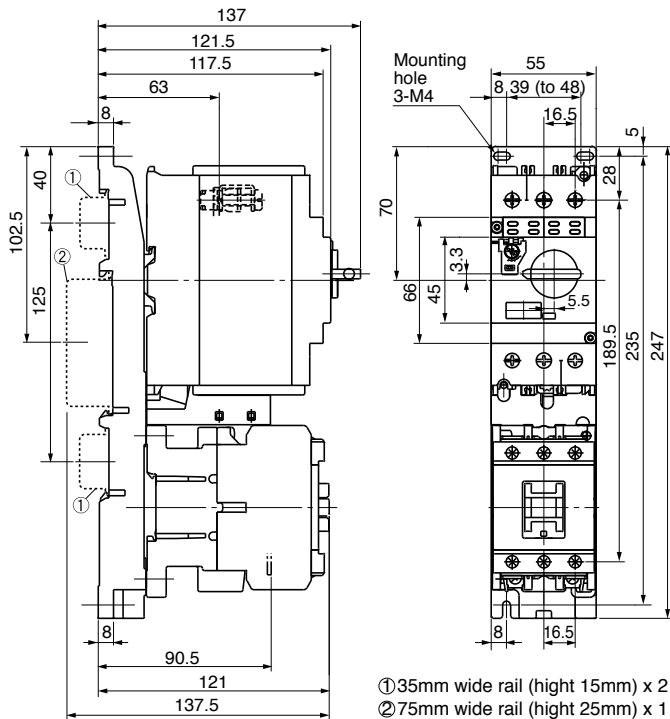
MMS	Contactors	Link module	Base plate	Mass (g)
BM3RHB	SC-E1	BZ0LRE32AA	BZ0BPPE32A	1,155

BM3RHB + SC-E1/G



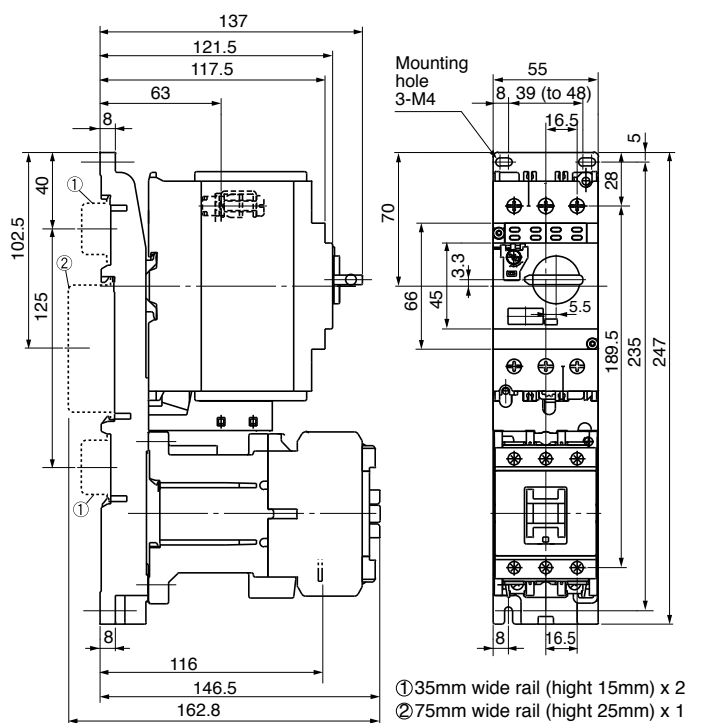
MMS	Contactors	Link module	Base plate	Mass (g)
BM3RHB	SC-E1/G	BZ0LRE32GA	BZ0BPPE32A	1,380

BM3V□B + SC-E1, E2, E2S



MMS	Contactors	Link module	Base plate	Mass (g)
BM3VSB	SC-E1, E2, E2S	BZ0LVE51AA	BZ0BPVE51A	1,580
BM3VHB				

BM3V□B + SC-E1/G, E2/G, E2S/G

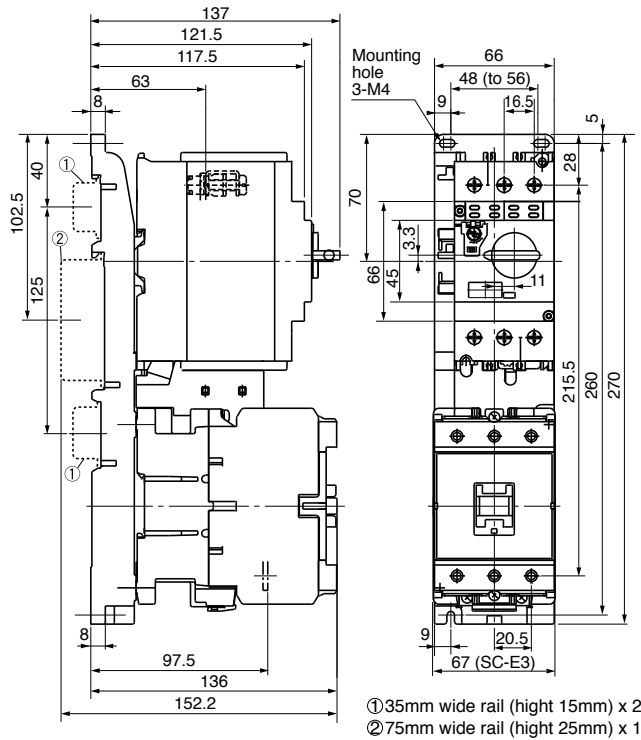


MMS	Contactors	Link module	Base plate	Mass (g)
BM3VSB	SC-E1/G, E2/G, E2S/G	BZ0LVE51GA	BZ0BPVE51A	1,810
BM3VHB				

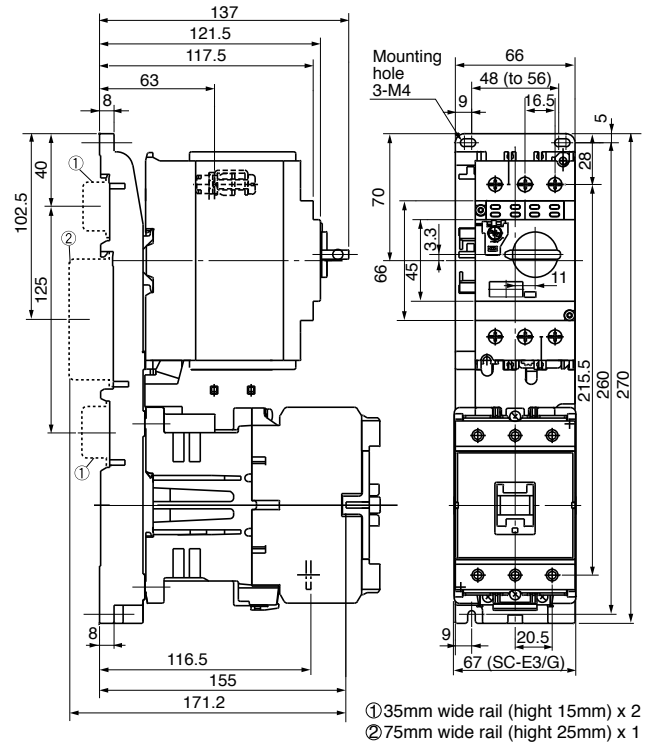
Combination Starters Dimensions

■ Dimensions, mm

• Combination BM3V□B + SC-E3



BM3V□B + SC-E3/G



MMS	Contactors	Link module	Base plate	Mass (g)
BM3VSB	SC-E3	BZ0LVE65AA	BZ0BPVE65A	2,080
BM3VHB				

MMS	Contactors	Link module	Base plate	Mass (g)
BM3VSB	SC-E3/G	BZ0LVE65GA	BZ0BPVE65A	2,400
BM3VHB				

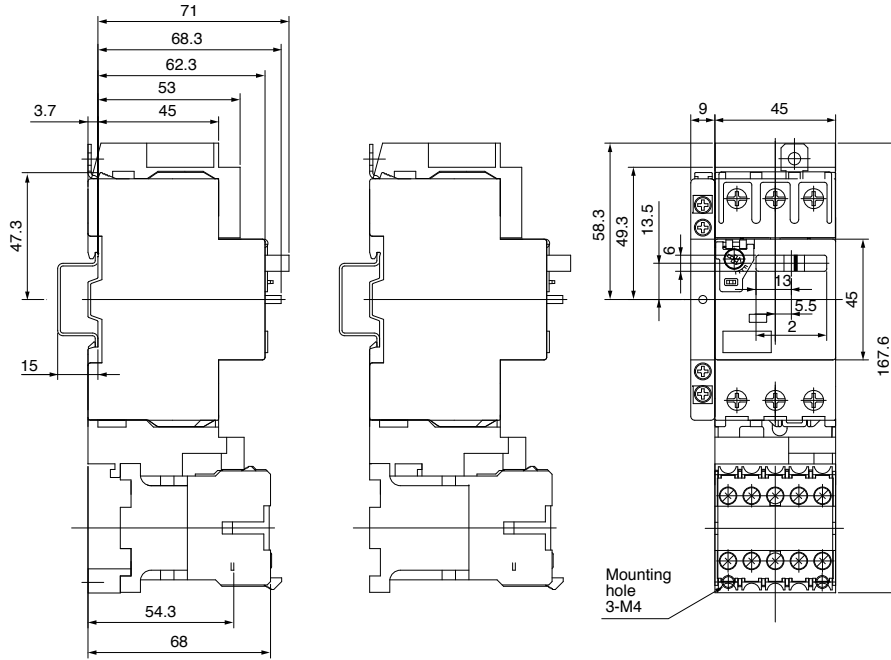
Combination Starters

Dimensions

■ Dimensions, mm

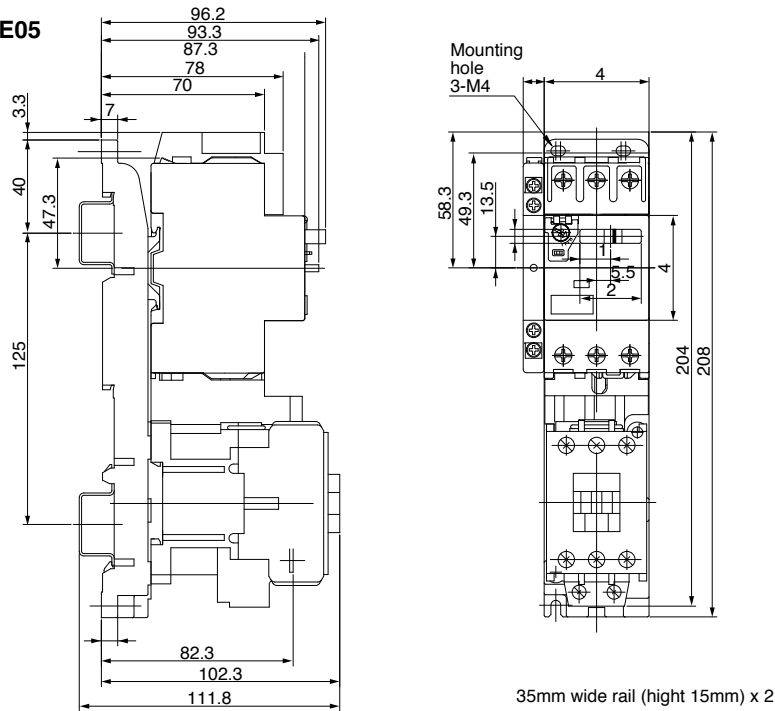
• Type F combination

BM3RSB + SC-M01, M02, M01/G, M02/G



MMS	Contactors	Line side terminal cover	Short-circuit alarm contact block	Link module	Base plate	Mass (g)
BM3RSB	SC-M01, M02	BZ0TCRE	BZ0TKUAB	BZ0LRC09AA	-	615
BM3RSB	SC-M01/G, M02/G	BZ0TCRE	BZ0TKUAB	BZ0LRC09AA	-	675

BM3RSB + SC-E02 to E05



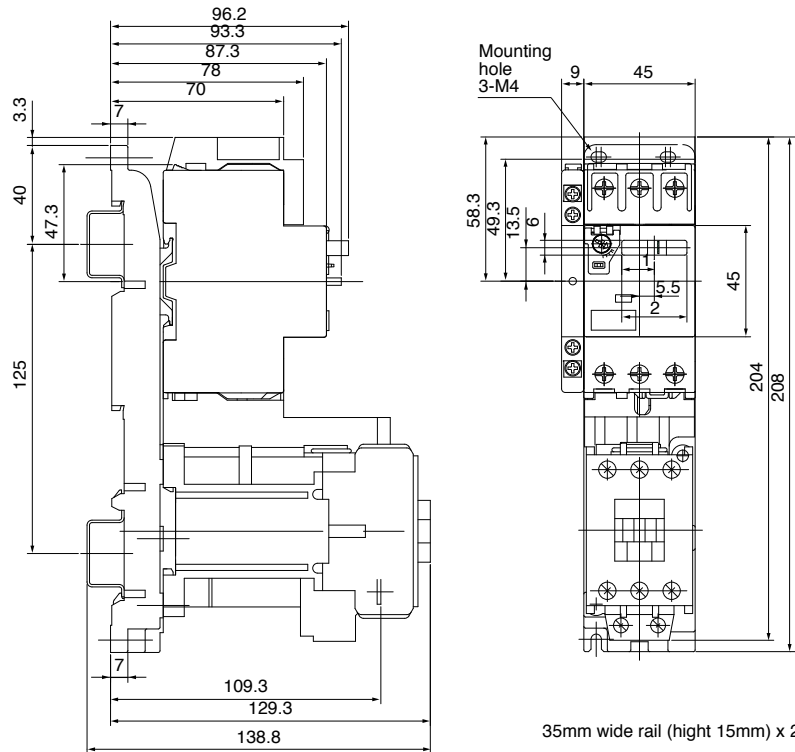
MMS	Contactors	Line side terminal cover	Short-circuit alarm contact block	Link module	Base plate	Mass (g)
BM3RSB	SC-E02, E03, E04, E05	BZ0TCRE	BZ0TKUAB	BZ0LRE22AA	BZ0BPPE22A	895

Combination Starters Dimensions

■ Dimensions, mm

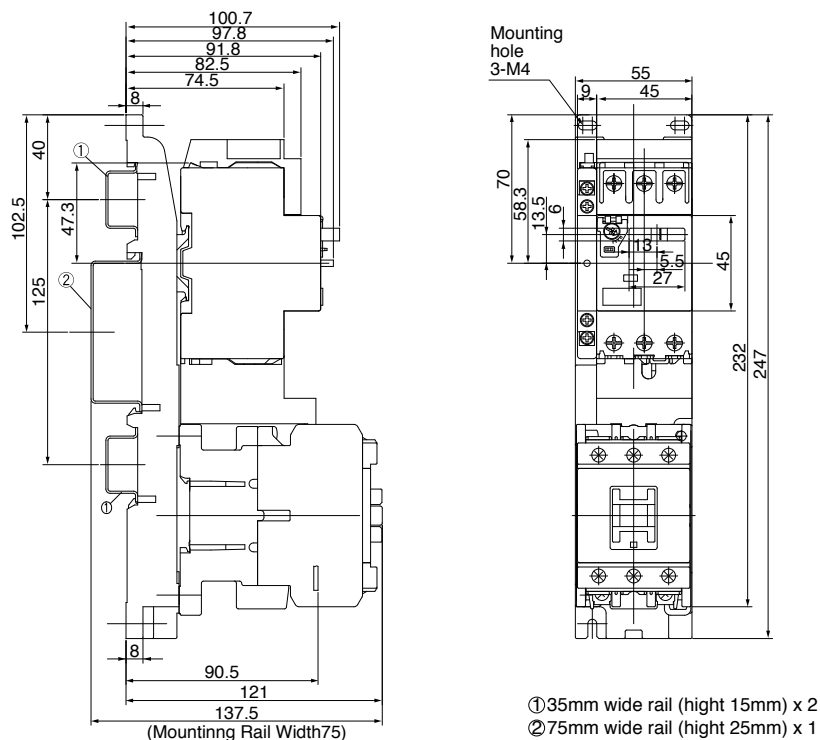
• Type F combination

BM3RSB + SC-E02/G to E05/G



MMS	Contactors	Line side terminal cover	Short-circuit alarm contact block	Link module	Base plate	Mass (g)
BM3RSB	SC-E02/G, E03/G, E04/G, E05/G	BZ0TCRE	BZ0TKUAB	BZ0LRE22GA	BZ0BPRES22A	1,160

BM3RSB + SC-E1

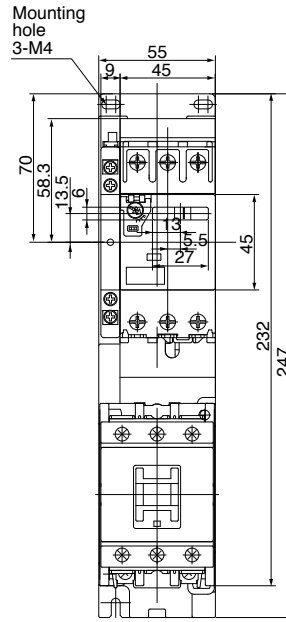
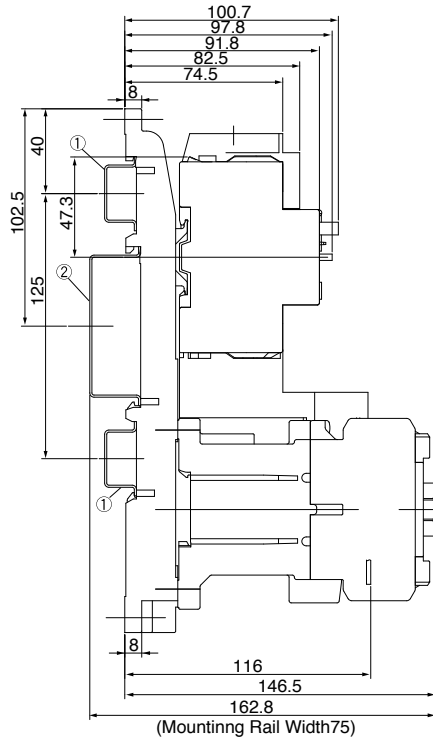


MMS	Contactors	Line side terminal cover	Short-circuit alarm contact block	Link module	Base plate	Mass (g)
BM3RSB	SC-E1	BZ0TCRE	BZ0TKUAB	BZ0LRE32AA	BZ0BPRES32A	1,230

Combination Starters

Dimensions

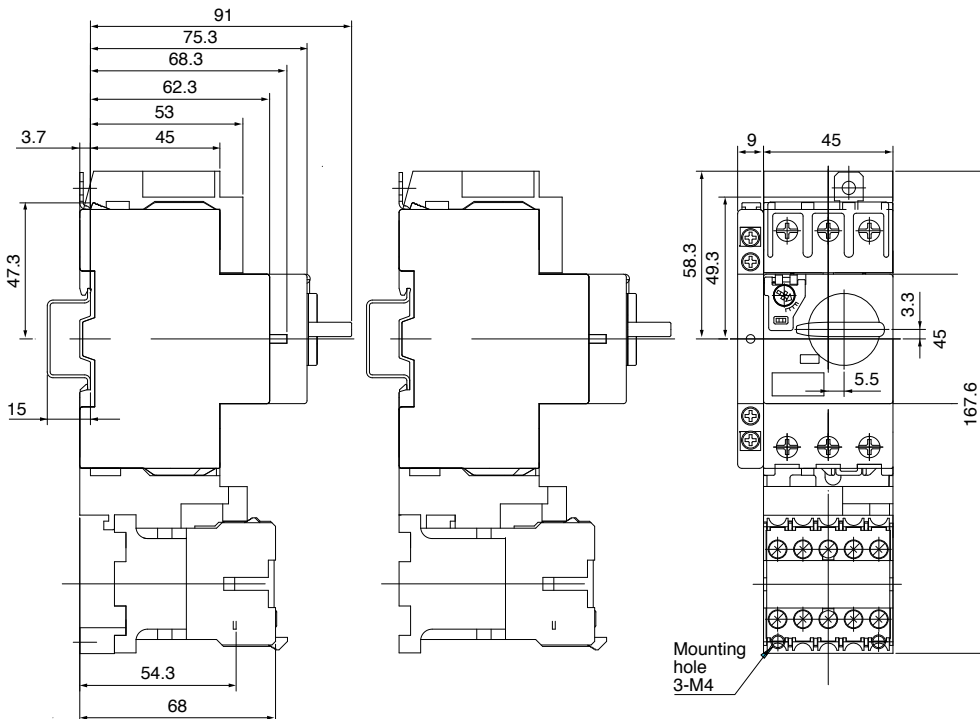
■ Dimensions, mm
 • Type F combination
BM3RSB + SC-E1/G



- ① 35mm wide rail (height 15mm) x 2
- ② 75mm wide rail (height 25mm) x 1

MMS	Contactors	Line side terminal cover	Short-circuit alarm contact block	Link module	Base plate	Mass (g)
BM3RSB	SC-E1/G	BZ0TCRE	BZ0TKUAB	BZ0LRE32GA	BZ0BPRES32A	1,455

BM3RHB + SC-M01, M02, M01/G, M02/G



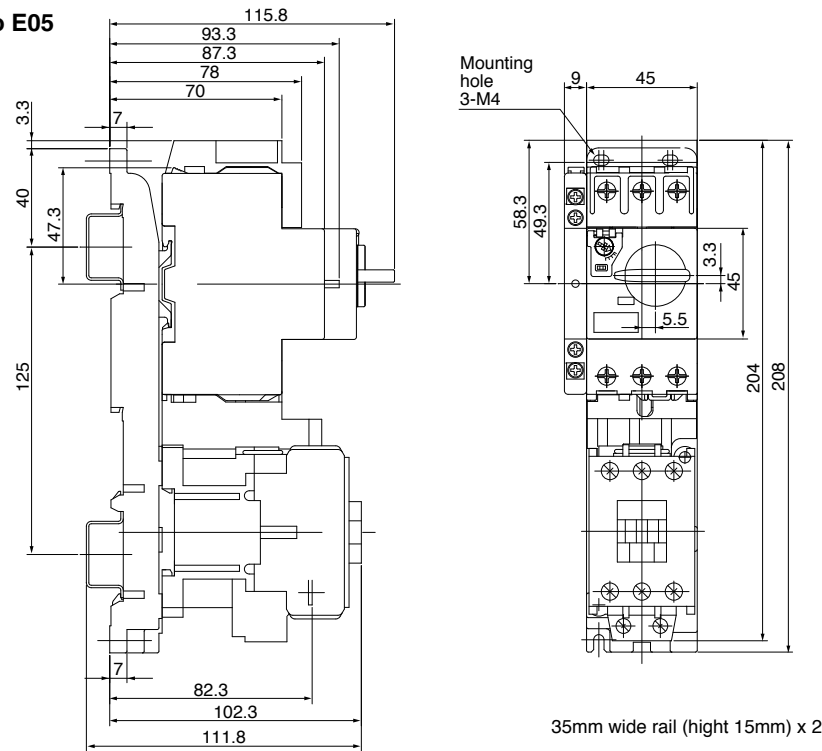
MMS	Contactors	Line side terminal cover	Short-circuit alarm contact block	Link module	Base plate	Mass (g)
BM3RHB	SC-M01, M02	BZ0TCRE	BZ0TKUAB	BZ0LRC09AA	-	635
BM3RHB	SC-M01/G, M02/G	BZ0TCRE	BZ0TKUAB	BZ0LRC09AA	-	695

Combination Starters Dimensions

■ Dimensions, mm

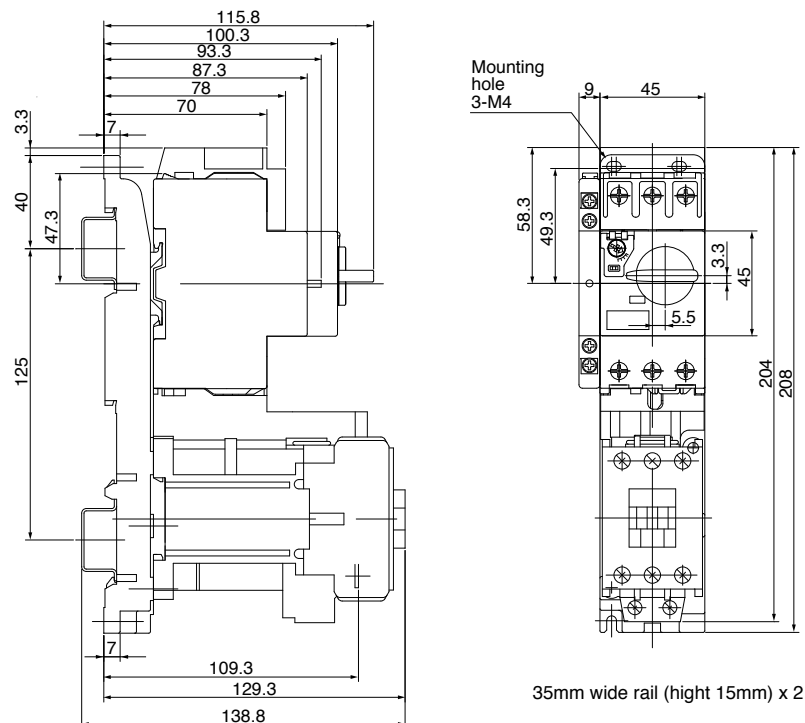
• Type F combination

BM3RHB + SC-E02 to E05



MMS	Contactors	Line side terminal cover	Short-circuit alarm contact block	Link module	Base plate	Mass (g)
BM3RHB	SC-E02, E03, E04, E05	BZ0TCRE	BZ0TKUAB	BZ0LRE22AA	BZ0BPRES22A	915

BM3RHB + SC-E02/G to E05/G

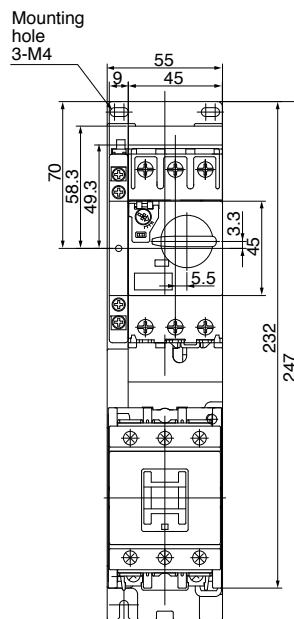
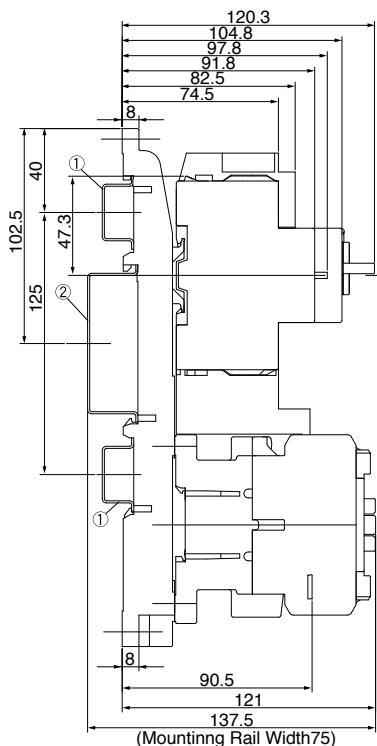


MMS	Contactors	Line side terminal cover	Short-circuit alarm contact block	Link module	Base plate	Mass (g)
BM3RHB	SC-E02/G, E03/G, E04/G, E05/G	BZ0TCRE	BZ0TKUAB	BZ0LRE22GA	BZ0BPRES22A	1,160

Combination Starters

Dimensions

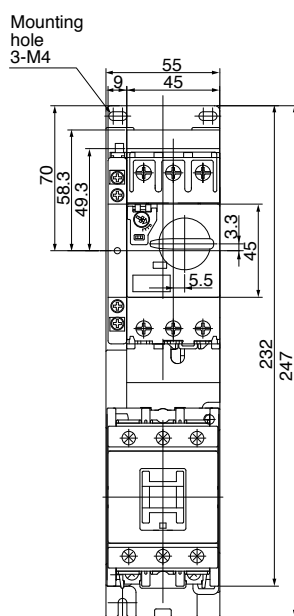
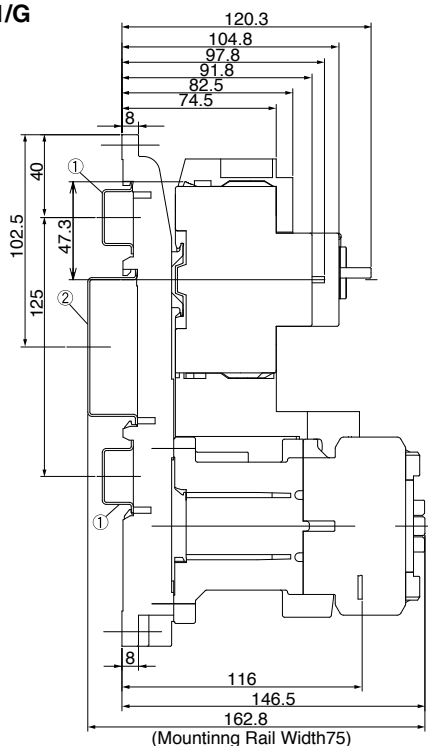
■ Dimensions, mm
 • Type F combination
BM3RHB + SC-E1



- ① 35mm wide rail (height 15mm) x 2
- ② 75mm wide rail (height 25mm) x 1

MMS	Contactors	Line side terminal cover	Short-circuit alarm contact block	Link module	Base plate	Mass (g)
BM3RHB	SC-E1	BZ0TCRE	BZ0TKUAB	BZ0LRE32AA	BZ0BPRES32A	1,230

BM3RHB + SC-E1/G



- ① 35mm wide rail (height 15mm) x 2
- ② 75mm wide rail (height 25mm) x 1

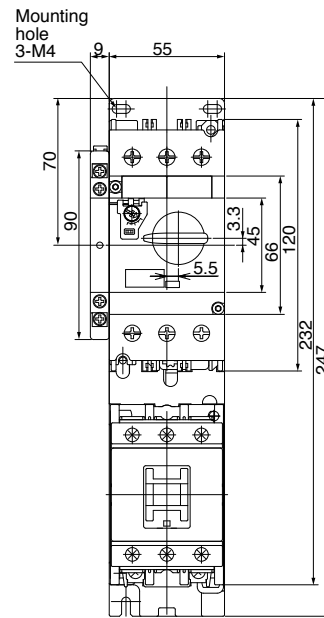
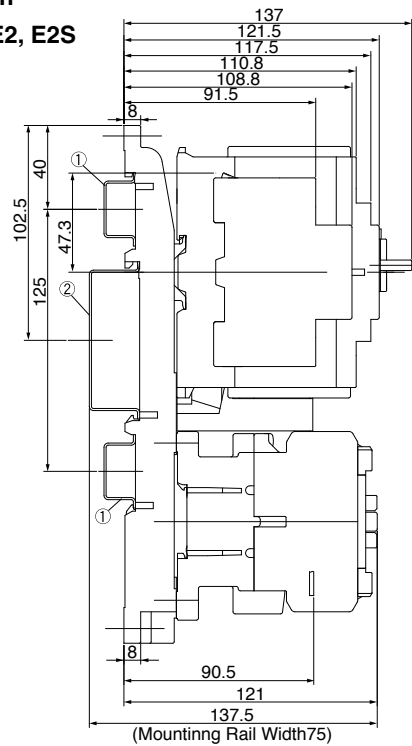
MMS	Contactors	Line side terminal cover	Short-circuit alarm contact block	Link module	Base plate	Mass (g)
BM3RHB	SC-E1/G	BZ0TCRE	BZ0TKUAB	BZ0LRE32GA	BZ0BPRES32A	1,455

Combination Starters Dimensions

■ Dimensions, mm

• Type F combination

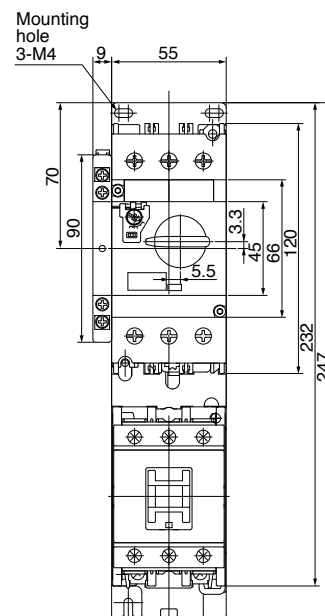
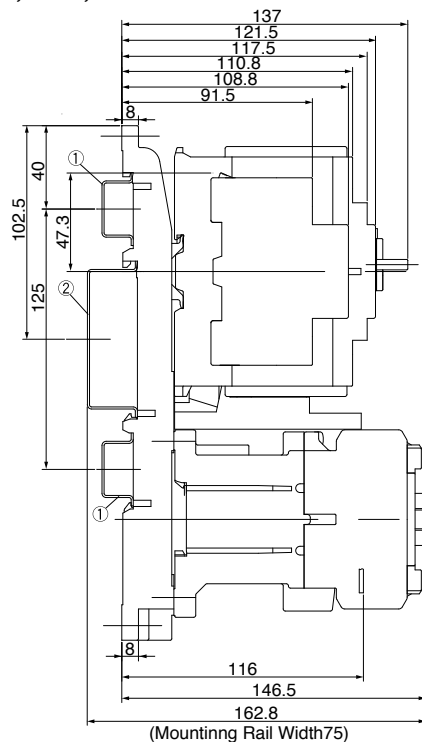
BM3V□B + SC-E1, E2, E2S



- ① 35mm wide rail (high 15mm) x 2
- ② 75mm wide rail (high 25mm) x 1

MMS	Contactors	Line side terminal cover	Short-circuit alarm contact block	Link module	Base plate	Mass (g)
BM3VSB,VHB	SC-E1,E2,E2S	-	BZ0TKUAB	BZ0LVE51AA	BZ0BPVE51A	1,625

BM3V□B + SC-E1/G, E2/G, E2S/G



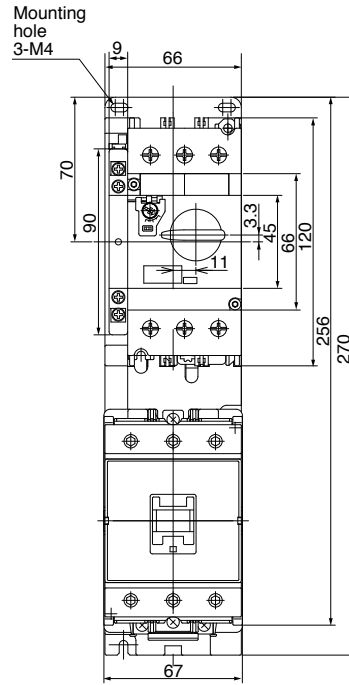
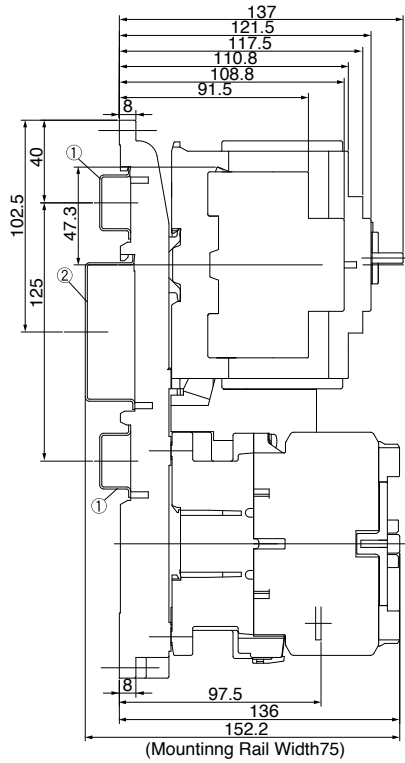
- ① 35mm wide rail (high 15mm) x 2
- ② 75mm wide rail (high 25mm) x 1

MMS	Contactors	Line side terminal cover	Short-circuit alarm contact block	Link module	Base plate	Mass (g)
BM3VSB,VHB	SC-E1/G,E2/G,E2S/G	-	BZ0TKUAB	BZ0LVE51GA	BZ0BPVE51A	1,855

Combination Starters

Dimensions

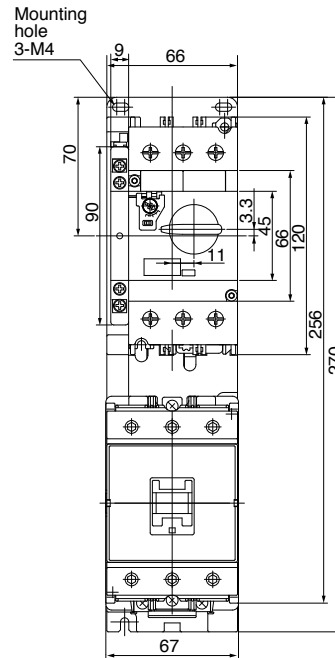
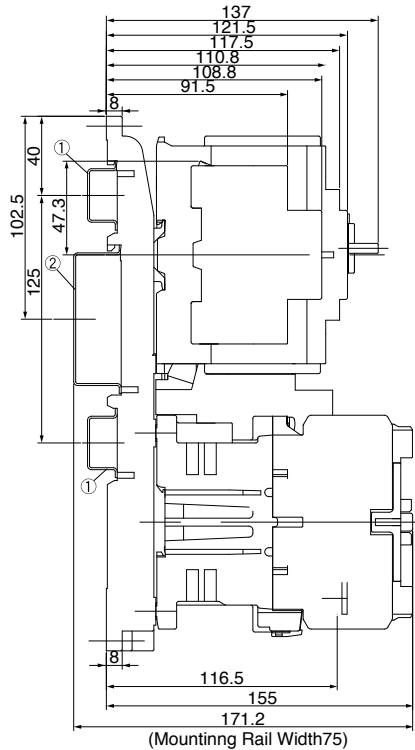
■ Dimensions, mm
 • Type F combination
BM3V□B + SC-E3



① 35mm wide rail (height 15mm) x 2
 ② 75mm wide rail (height 25mm) x 1

MMS	Contactors	Line side terminal cover	Short-circuit alarm contact block	Link module	Base plate	Mass (g)
BM3VSB,VHB	SC-E3	-	BZ0TKUAB	BZ0LVE65AA	BZ0BPVE65A	2,125

BM3V□B + SC-E3/G



① 35mm wide rail (height 15mm) x 2
 ② 75mm wide rail (height 25mm) x 1

MMS	Contactors	Line side terminal cover	Short-circuit alarm contact block	Link module	Base plate	Mass (g)
BM3VSB,VHB	SC-E3/G	-	BZ0TKUAB	BZ0LVE65GA	BZ0BPVE65A	2,445